

Thinking of you

 **Electrolux**

USER MANUAL

Microwave oven

EMS2040



We were thinking of you
when we made this product

Contents

Before using your microwave oven	4	Charts	18
Technical data	4	– Recommendations for Cooking with Grill	18
Safety instructions	5	– Recommendations for Cooking with Microwave and Grill	18
– Utensil safety	5	– Recommendations for Manual Defrost	19
– Testing suitability of Cookware	5	– Auto Reheat Programmes Chart	20
– Food safety	6	– Auto Defrost Programmes Chart	21
– Safety Instructions when Cooking with Grill	7	Microwave Hints	22
– Installation	8	Care and cleaning	23
– Oven utensils and accessories guide	9	– Cleaning the accessories (turntable and support)	23
– Unpacking	9	– Cleaning the interior	23
How to operate your microwave oven	10	– Cleaning the Grill	23
– Name and function of parts	10	– Cleaning the exterior	23
– Turntable Installation	10	Guarantee Conditions	24
– Control panel	11		
– Setting the Clock	12		
– Child Safety Lock	12		
– To Stop the Oven	12		
– Switching the beeper off	13		
– Quick Start	13		
– Microwave Power setting Guide	13		
– Microwave cooking	14		
– Cooking with Grill	14		
– Combination Cooking	15		
– Automatic Defrost	16		
– Automatic Reheat	17		

Congratulations on the purchase of your new Microwave Oven

Thank you for having chosen a Electrolux product. We are convinced that you will find your new microwave oven very useful and that it will be of great help to you. As with all new kitchen appliances, it will take some time to learn all the new functions and features, but with time, this oven will become indispensable to you.

Before using your Microwave Oven

Read through the instruction manual carefully. In order that you can get the best from your new Electrolux Microwave Oven, the following instructions have been prepared. Please make sure you read them carefully. It is important that this instruction book is retained with the appliance for future reference. Should the appliance be sold or transferred to another owner, or if you move house and leave the appliance, always ensure that the book is supplied with the appliance or that the new owner can be acquainted with the functioning of the appliance and the relevant warnings.

Please ensure you have read the whole instruction book before using the appliance and that you follow the recommendations given.


Technical data


Overall dimension	Weight 13.5 kg
Width 484 mm	Volume 20 Litre
Depth 376 mm	
Height 275 mm	Power source 230V, 50 Hz
Cavity dimension	Fuse 10 A
Width 323 mm	Power consumption 2300 W
Depth 296 mm	
Height 218 mm	Power output 800 W
	Grill 1000 W

Important Safety instructions.


READ CAREFULLY AND KEEP FOR FUTURE REFERENCE


- The built-in safety interlock switches prevent the microwave oven from operating when the door is open.
- Do not tamper with them, or attempt to operate the oven with the door open as open door operation can result in exposure to microwave energy.
- Do not allow food spills or cleaner residue to accumulate on door sealing surfaces. See the Cleaning and Care section for cleaning instructions.
- It is particularly important that the oven door closes properly and that there is no damage to the: (1) door (warped), (2) hinges and latches (broken or insecure), (3) door seals and sealing surface.
- Do not store this appliance outdoors. Do not use this product near water.
- Do not attempt to dry clothing or newspapers in the microwave oven. These items can ignite.
- Do not use the cavity for storage purposes. Do not leave paper products, cooking utensils, or food in the cavity when not in use.
- The temperature of accessible surfaces may be high when the appliance is operating.

 **WARNING** : If the door, hinges/latches or door seals are damaged, the microwave must not be operated until it has been repaired by a authorized service person.

 **WARNING** : It is hazardous for anyone except factory trained service personnel to service or make adjustments to this oven. Contact your nearest authorised service agent if service should be required.

- Do not remove the outer case, door or control panel at any time. Doing so may cause exposure to extremely high voltage.
- Install or locate this oven only in accordance with 'installation instructions' found in this manual.
- Use the appliance for its intended use as described in this manual. Do not use corrosive chemicals in this appliance. This type of oven is specifically designed to heat, cook, or defrost food. It is not designed for industrial or laboratory use neither for commercial use as this will invalidate the guarantee.
- Do not operate the oven empty. If food or water is not present to absorb the microwave energy, the magnetron tube can be damaged.

 **WARNING** : If smoke is observed, switch off or unplug the appliance and keep the door closed in order to stifle any flames. Never use water.

 **WARNING** : Only allow children or infirm persons to use the microwave, without supervision, when adequate instructions have been given so that the child or infirm person is able to use the microwave in a safe way and understand the hazards of improper use.

Utensil safety

- Only use utensils that are suitable for use in a microwave oven.
- Most glass, glass ceramic and heat-resistant glass-ware utensils are excellent for use in the micro-wave oven. Although microwave energy will not heat most glass and ceramic items, these utensils can become hot as heat transfers from the food to the container. The use of oven gloves to remove dishes is recommended.

Testing suitability of cookware

- Utensils should be checked to ensure they are suitable for use in Microwave Ovens.
- Place the cookware in the microwave along with a glass half full of water. Heat on **(800W)** (100%) for one minute. If the cookware feels hot, you should not use it. If it is just slightly warm, you can use it for reheating but not for cooking. If the dish is room temperature, it is suitable for microwave cooking.

- Paper napkins, wax paper, paper towels, plates, cups, cartons, freezer wrap and cardboard are great convenience utensils. Always be sure containers are filled with food to absorb energy and thus avoid the possibility of overheating or ignition.
- Many plastic dishes, cups, freezer containers and plastic wraps may be used in the microwave oven. Follow manufacturer's instructions when using plastics in the oven. Avoid using plastic utensils with foods that have high fat or sugar content since these foods reach high temperatures and could melt some plastics.
- Do not leave oven unattended, and look at it from time to time when heating or cooking food in plastic, paper or other combustible containers.
- Metal utensils and utensils with metallic trim should not be used in the microwave oven, unless specifically recommended for microwave use.
- Containers with restricted openings, such as bottles, should not be used for microwave cooking.
- Use caution when removing a lid or cover from a dish to avoid steam burns.

Foil containers

Shallow foil containers may safely be used to reheat foods in your microwave oven providing the following rules are observed:

1. Foil containers should not be more than 3 cms (1 1/4") deep.
2. Foil lids must not be used.
3. The foil containers must be at least two-thirds full of food. Empty containers must never be used.
4. Foil containers should be used singly in the microwave oven and should not be allowed to touch the sides. If your oven has a metal turntable or cooking rack, the foil container should be placed on an upturned oven-proof plate.
5. Foil containers should never be re-used in the microwave oven.
6. If the microwave oven has been in use for 15 minutes or more, allow it to cool before using it again.

7. The container and turntable may become hot during use, take great care when removing either from the oven. It is advisable to use an oven cloth or glove when doing so.
8. Remember when using an aluminium foil container that the reheating or cooking times may be longer than you are used to, always ensure that the food is piping hot before serving.

Food safety

- Do not heat food in a can in the microwave oven. Always remove the food to a suitable container.
- Deep fat frying should not be done in the microwave oven, because the fat temperature cannot be controlled, hazardous situations can result.
- Popcorn may be prepared in the microwave oven, but only in special packages or utensils designed specifically for this purpose. This cooking operation should never be unattended.
- Pierce foods with non-porous skins or membranes to prevent steam build-up and bursting. Apples, potatoes, chicken livers, and egg yolks are examples of items that should be pierced.
- The contents of feeding bottles and baby food jars are to be stirred or shaken and the temperature is to be checked before consumption, in order to avoid burns.



WARNING : Liquids or other foods must not be heated in sealed containers since they are liable to explode.



WARNING : Microwave heating of beverages can result in delayed eruptive boiling, therefore care must be taken when handling the container.



WARNING : When heating liquids, e.g. soups, sauces and beverages in your microwave oven, overheating the liquid beyond boiling point can occur without evidence of bubbling. This could result in a sudden boil over of the hot liquid. To prevent this possibility the following steps should be taken:

1. Avoid using straight-sided containers with narrow necks.
2. Do not overheat.
3. Stir the liquid before placing the container in the oven and again halfway through the heating time.
4. After heating, allow to stand in the oven for a short time, stirring again before carefully removing the container.



WARNING : Some products such as whole eggs and sealed containers – for example, closed glass jars – may explode and should not be heated in this oven. Occasionally, poached eggs may explode during cooking. Always pierce the yolk, then cover and allow the standing time of one minute before removing cover.



It is quite normal for steam to be emitted around the door, or for misting to occur on the door, or even for water droplets to appear below the door during the cooking cycle. This is merely condensation from the heat of the food and does not affect the safety of your oven. The door is not intended to seal the oven cavity completely.

- Do not force the turntable to rotate by hand. This may cause malfunctioning.
- Arcing in the oven during microwave operation usually occurs from use of metallic utensils. Continuous arcing, however, can damage the unit. Stop the programme and check the utensil.
- Care should be taken not to obstruct any air vents located on the top, rear, side and bottom of the oven.



WARNING : Do not use this oven for commercial purposes. This oven is made for domestic use only.

Safety instructions when cooking with grill, combination modes.

1. The glass viewing window may break if water is spilled on it during grill cooking.
2. Be sure to use an oven glove when loading and unloading the oven. Containers get very hot in the oven, so be careful not to burn yourself. The turntable and metal rack also get very hot so be sure to use an oven glove when handling them.
3. Do not touch the inner or outer viewing window with metal components when loading or unloading the oven. The inside of the door and oven get very hot so take care when attending food in the oven.
4. Do not put the turntable or containers in cold water or try to cool them quickly after use.
5. Do not place items on top of the cabinet. The top of the cabinet gets very hot, so anything placed on it may be damaged by the heat.
6. Preheat your oven only when using the Grill, never when using microwave or combination modes (Microwave and Grill)



WARNING : When the appliance is used in combination mode, Children should only use the oven under adult supervision due to the temperature generated.

Keep these instructions!

Installation.

1. Remove any promotion label from the door.
2. The oven should be installed on a flat, level surface. The surface must be strong enough to safely bear the weight (13.5 kg) of the oven, and the contents. To avoid the possibility of causing vibration or noise the oven must be in a stable position.
3. Keep the oven away from heat and water. Exposure to heat and water can lower oven efficiency and lead to malfunctioning, so be sure to install the oven away from heat and water sources.
4. Do not block air vents on the top and the sides of the cabinet and also do not place any articles on the top of the oven. If air vents are blocked during operation, the oven may overheat, and this may lead to malfunctioning. Hot air escapes from the vents, so be sure not to obstruct it or let curtains come between the oven and the rear wall.
5. Place the oven as far away from radios and TV's as possible. This oven does conform to EEC requirements of radio interference suppression, but some interference may occur if it is placed too close to a radio or TV, so keep them as far apart as possible.
6. If positioned in a corner, leave a gap of at least 10 cm from the walls and 10 cm above the microwave.

IMPORTANT! The oven can be placed almost anywhere in the kitchen. Make sure the oven is placed on a flat, level surface and that vents as well as the surface underneath the oven are not blocked (for sufficient ventilation).

Connecting to the mains

The oven is delivered with the power cord and a plug for 230V, 50Hz, earthed socket outlet. Earth protection minimises the risks should a short circuit occur. Check to ensure the voltage of the oven matches the supply.

N.B. If the oven is connected to the socket via an extension cord, make sure the cord is earthed.



This appliance must not be used on a non-earth protected power supply. Contact an electrician if you are uncertain regarding electrical connection of the oven or provision of earth protection of the supply.



This appliance must be earthed. If this appliance is fitted with a non-rewireable plug for which your socket is unsuitable, it must be replaced by the manufacturer, its service agent or similarly qualified persons in order to avoid a hazard.



If the supply cord is damaged, it must be replaced by the manufacturer, its service agent or similarly qualified persons in order to avoid a hazard.

Oven utensils and accessories guide

A variety of Utensils and Materials may be used for cooking in your microwave oven. For your safety and to prevent damaging utensils and your oven choose appropriate utensils and materials for each cooking method. The list below is a general guide.

Material	Utensils	Mode of operation		
		Microwave	Grill	Combination
Ceramic & Glass	Corning ware	YES	YES	YES
	Heat resistant glass ware	YES*1	YES	YES*1
	Glass ware with metal decoration	NO	NO	NO
	Lead crystal glass	NO	NO	NO
China	Without metal decoration	YES	YES	NO
Pottery*2		YES	YES	YES
Plastic	Microwave oven heat-proof wear	YES	NO	NO
	Plastic wrap	YES	NO	NO
Metal	Baking pan	NO	YES	NO
	Aluminium foil*3	YES	YES	YES
Paper	Cups, plates, towels	YES	NO	NO
	Waxed paper	YES	NO	NO
Wood		NO	NO	NO
Accessories	Grill rack	NO	YES	YES
	Turntable	YES	YES	YES
	Turntable support	YES	YES	YES

YES: Utensils and accessories to use

NO: Utensils and accessories to avoid

*1 Only if there is no metal trim.

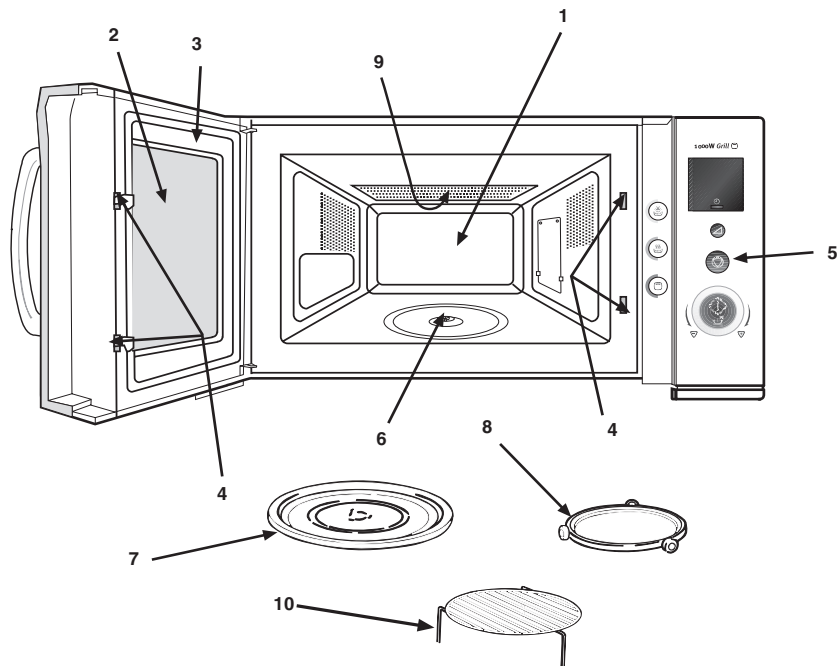
*2 Only if it does not have a glaze containing metal.

*3 NOTE: Use aluminium foil only for shielding purposes, over use may cause arcing.

Unpacking

N.B. When you unpack the oven, check that the product is free from damage. Damage or any missing parts must be reported immediately to the retailer. The oven, parts of the oven or the accessories may be wrapped by a protection foil. If so, you must remove this foil before using the oven. Do not leave packing material so that small children can play with it. This can be hazardous.

How to operate your microwave oven



Name and function of parts

1. Cooking compartment. Wipe the compartment clean after using the oven.
2. Viewing window. Food can be checked while the microwave oven is in operation.
3. Oven door. The door must always be firmly closed while cooking.
4. Safety Latch and Interlock System.
5. Control panel.
6. Drive shaft for turntable.
7. Turntable.
8. Turntable support.
9. Grill Element.
10. Grilling rack, used for most cooking and browning/grilling.

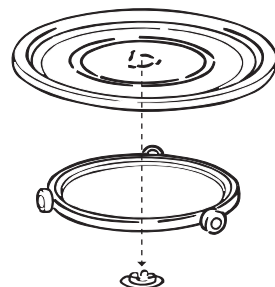
Turntable Installation

1. Place the turntable support on the cavity Bottom.
2. Place the turntable on top of the turntable support as shown in the diagram. Make sure that turntable hub is securely locked in the turntable shaft. **Never place the turntable upside down.**
 - Both turntable and turntable support must always be used during cooking.
 - All food and containers of food are always placed on this turntable for cooking.
 - This turntable rotates clockwise and anticlockwise; this is normal.

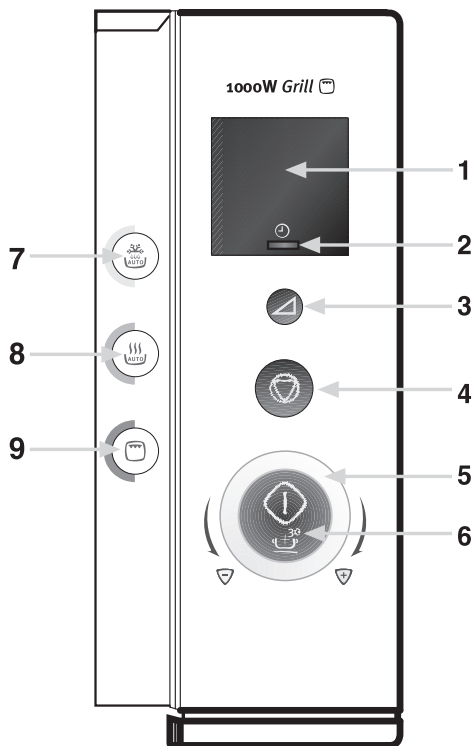
Turntable

Roller rest

Turntable Shaft



Control Panel



1. Display Window

To view either Cook time, Power level and time of day.

2. Clock

To set the time of day

3. Power

To set the desired Microwave power level

4. Stop/Clear

To stop or pause your Microwave

5. Setting Control Knob

Used to set desired cooking times.

6. Quick Start

To start your microwave

7. Auto Defrost

Used to set desired Defrost mode.

8. Auto Reheat

Used to set desired Reheat mode.

9. Grill

Used to set desired Grill or Combination Grill / Microwave mode.

Setting the Clock

When your oven is plugged in for the first time or when power resumes after a power interruption, the display window flash and show " 88:88 "

This oven can be set for 12hr mode or 24hr mode, to set 24hr mode press the Clock button once, to set 12hr mode press the clock button twice.

Example: To set 4.30 (12 hr mode)

1. Touch the Clock button twice.
2. Set the time to " 4:00 " using the setting control knob
3. Touch the Clock Button
4. Set the time to " 4:30 " using the setting control knob
5. Touch the Clock button. (The Time will now be set)

NOTE : It is possible to display the current time even after starting the mode set, by pressing the Clock button (the time is displayed for 2 seconds).

Child safety lock

This oven has a safety feature which prevents the accidental running of the oven by a child. After the lock has been set, no part of the microwave oven will operate until the child lock feature has been cancelled.

To set:

1. Touch the ' **Stop/Clear** ' button and the ' **Clock** ' button at the same time. ' **L** ' will appear in the display.

To cancel the child lock, simply touch the ' **Stop/Clear** ' button and the ' **Clock** ' button at the same time.

To Stop the Oven

There are two way to stop the oven whilst it is in use.

1. Press the Stop/Clear button
 - You may restart the oven by pressing the Start button
 - Pressing Stop/Clear again will reset the current programme
2. Open the door
 - You may restart the oven by closing the door and pressing the Start button
 - Pressing Stop/Clear again will cancel the current programme

Switching the Beeper Off

This oven has a feature which allows you to turn off the beeper. When this is set you will turn off the beeps which occur when you press a button, this will also disarm the beeps which occur at the end of a program.

To set:

1. Touch the '**Stop/Clear**' button and the '**Start**' button at the same time. '**OFF**' will appear in the display.
To cancel, simply touch the '**Stop/Clear**' button and the '**Start**' button at the same time.

Quick Start

Pressing the '**Start**' button allows you to start your microwave at full power (800W) for 30 seconds.

Each time you press the '**Start**' button you will increase the cooking time by 30 seconds.

Microwave Power setting Guide

Power Setting	Suggested use
100W	Keeping warm : Keeping foods warm
180W	Thawing frozen foods.
300W	Simmer : Completing the cooking cycle of some pot roasts. Casseroles and stews. Baked custards or cheesecakes.
450W	Medium : Faster defrosting for casseroles and stews. Baking cakes and sponge puddings
600W	Reheat : Reheating of casseroles and stews.. Reheating pre-cooked foods. Roasting joints of meat and poultry.
800W	Max Power ; Boiling or reheating liquids. Cooking vegetables. Preheating a browning dish.

Microwave Cooking

1. Open the door, place the food on the turntable.
Close the door.
2. Press the ' Power ' button until the desired power level is reached.
3. Set the desired time by turning the setting control knob.
4. Press Start (**The oven begins cooking.**)

To turn off the oven during cooking, simply touch the Stop/Clear button.

Note: After use, be sure to press the Stop/Clear button Twice as this will ensure that you have reset the microwave.

Example: To cook at 450W for 15 minutes

1. Touch the Power button 3 times (' 450 ' should now be showing in the display window).
 2. Turn the setting control knob
(' 15:00 ' should now be showing in the display window).
 3. Press start. The Oven will now start cooking.
-

Cooking With Grill

1. Open the door, place the food on the Grill rack.
2. Press The Grill button once.
3. Set the desired time by turning the setting control knob.
4. Close the Door.
5. Press Start (**The oven begins cooking.**)

Note: After use, be sure to press the Stop/Clear button Twice as this will ensure that you have reset the microwave.

Note: You may detect smoke or a burning smell when using your grill for the first time, this is normal and not a sign that the oven is out order. To avoid this problem, when using your grill for the first time, heat the oven without any food for 10 minutes on grill.

To turn off the oven during cooking, simply touch the Stop/Clear button.

Example: To cook with Grill for 15 minutes

1. Touch the Grill button X 1
 2. Turn the setting control knob. (' 15:00 ' Should now be showing in the display window).
 3. Press start. The Oven will now start.
-

You should preheat the grill before use.

To preheat the grill you should set the grill as described above for 3 - 4 minutes.

Combination Cooking

This oven offers you a choice three settings for cooking with combined Grill and Microwave Cooking

1. Open the door, place the food on the Grill rack. To turn off the oven during cooking, simply touch the Stop/Clear button.
2. Press The Grill button until the required combination of Microwave and Grill is reached. **Note: After use, be sure to press the Stop/Clear button Twice as this will ensure that you have reset the microwave.**
3. Set the desired time by turning the setting control knob.
4. Close the door then press Start (**The oven begins cooking.**)

Example: To cook with Grill and 450W microwave power for 15 minutes

1. Open the door
 2. Touch the Grill button X 3
 3. Turn the setting control knob. (' 15:00 ' Should now be showing in the display window).
 4. Close the door then press start. The Oven will now start.
-

You do not need to preheat the grill during combined Microwave and Grill cooking.

Combination Grill Setting	Press Button	Grill Power	Microwave Power
Combi 1	2 times	Full	600W
Combi 2	3 times	Full	450W
Combi 3	4 times	Full	300W

Automatic Defrost

1. Open the door, place the food on the turntable.
2. Press the ' Auto Defrost ' button until the desired programme is reached.
3. Turn the setting control knob until the required quantity is reached.
4. Close the door.
5. Press Start (The oven begins defrosting.)

NOTE : For details See Table Below.

To turn off the oven during cooking, simply touch the Stop/Clear button.

NOTE : After use, be sure to press the Stop/Clear button Twice as this will ensure that you have reset the microwave.

NOTE : During Automatic Defrost the oven will automatically select the required microwave power and defrosting time. The oven will stop and/or beep part way through defrosting to allow food to be stirred or turned. Press Start to resume defrosting.

Selection Chart for Auto Cook functions :-

Auto Programme	Press Button	Portion Size	Remarks
Meat	Once	200 - 2000g	The Oven will stop part way through defrosting to allow food to be stirred or turned. Press Start to resume defrosting.
Poultry	Twice	200 - 2000g	The Oven will stop part way through defrosting to allow food to be stirred or turned. Press Start to resume defrosting.
Fish	Three Times	200 - 2000g	The Oven will stop part way through defrosting to allow food to be stirred or turned. Press Start to resume defrosting.
Bread / Cake	Four Times	125 - 1000g	
		for 125g	Turn after 10 beeps. at 30 seconds
		for 250g	Turn after 10 beeps. at 60 seconds
		for 375g	Turn after 10 beeps. at 90 seconds
		for 500g	Turn after 10 beeps. at 120 seconds
		for 625g	Turn after 10 beeps. at 150 seconds
		for 750g	Turn after 10 beeps. at 180 seconds
		for 875g	Turn after 10 beeps. at 210 seconds
		for 1000g	Turn after 10 beeps. at 240 seconds

Note : During Defrost Bread / Cake, the oven will only stop when 10 beeps are heard if the door is opened. Stir or turn the food, close the door and press start to resume defrosting.

Example: To automatically defrost 500g of Fish.

1. Open the door.
 2. Touch the Auto defrost button 3 times
 3. Turn the setting control knob until 500 is showing in the display window.
 4. Close the door then press start. The Oven will now start defrosting.
-

See Auto Defrost Programme Chart for further details.

As an alternative to Automatic Defrosting you can defrost manually by selecting 180W microwave power. To speed up the defrosting of dense foods over 450g (1lb), the oven may be started on 800W (100%) power for 1 - 3 minutes, then reduced to (180W) until defrosting is complete.

Auto Reheat

This oven can be used to automatically ReHeat Chilled Ready Meals, Fresh Vegetables, Chicken Pieces and Frozen Bread Rolls.

1. Open the door, place the food on the turntable.
2. Press the ' Auto Reheat ' button until the desired programme is reached.
3. Turn the setting control knob until the required quantity is reached.
4. Close the door.
5. Press Start (The oven begins cooking.)

NOTE : For details See Table Below

To turn off the oven during cooking, simply touch the Stop/Clear button.

NOTE : After use, be sure to press the Stop/Clear button Twice as this will ensure that you have reset the microwave.

NOTE : During **AUTO COOK** the oven will automatically select the required microwave power and cooking time.

Selection Chart for Auto Cook functions :-

Auto Programme	Press Button	Portion Size
Chilled Ready Meals	Once	300 - 350 g
		400 - 450 g
		500 - 550 g
Fresh Vegetables	Twice	200 - 250 g
		300 - 350 g
		400 - 450 g
		500 - 550 g
		600 - 650 g
Chicken Pieces	Three Times	700 - 750 g
		200 - 300 g (1 Piece)
		400 - 500 g (2 Pieces)
		600 - 700 g (3 Pieces)
Frozen Bread Rolls	Four Times	800 - 900 g (4 Pieces)
		100 - 150 g (2 Pieces)
		200 - 250 g (4 Pieces)
		300 - 350 g (6 Pieces)

Example: To automatically cook 500g of Fresh Vegetables.

1. Open the door.
2. Touch the Auto Reheat button 2 times
3. Turn the setting control knob until 500 - 550 is showing in the display window.
4. Close the door then press start. The Oven will now start cooking.

See Auto Cook Programme Chart for further details.

Charts

Recommendations for cooking with Grill

All foods should be placed on the grill rack with a non metal dish placed underneath to catch any food spillage or juices to minimise cleaning. Turn all food halfway through the cooking time.

Food	QTY. (Weight)	Cooking time	Special notes
Toast	2 Slices	4 – 5 min	
Cheese on Toast	4 Slices	6 – 7 min	4 – 5 min. to toast. 2 min. with topping

General recommendations for cooking with Microwave and Grill

Food	QTY (Weight)	Power Selector position	Cooking time	Special notes
Bacon	4 (100 g)	Combi 3	7- 9 min	
Roast Beef (Boned)	900 g	Microwave Only 600 W Combi 2	25 min	Brush with oil. Season with salt and pepper. Allow 15 – 20 minutes standing time after cooking.
Roast Pork (Loin)	900 g		5 - 6 min	
Pork Chops	2 - 3(450 g)	Combi 2	20 - 25 min	Brush with oil. Season with salt, pepper and paprika.
Chicken, Halved lengthways	450 g	Combi 1	15 - 20 min	Brush with oil. Season with salt, pepper and paprika.
Legs	800 g	Combi 1	25 - 30 min	
Frozen Hamburger	4 (200 g)	Combi 2	12 - 15 min	
Sausages	450 g Only	Combi 1	10 - 15 min	
Fish Steak	2 (350 g)	Combi 3	22 – 24 min	Brush with oil, Season with salt and pepper.
Frozen Potato, Hash Brown	2 (150 g)	Combi 2	16 – 18 min.	

Recommendations for Manual Defrost

Some foods such as bread and fruit, can successfully be thawed manually by using this power setting (180W).

FOOD	PREPARATION	Defrost time	STANDING TIME
Bread			
Small loaf	Place on microwave-proof rack or kitchen paper. Turn over halfway through defrosting time.	8–10 min.	10–15 min.
Sliced large loaf	Place on microwave-proof rack or kitchen paper. Turn over halfway through defrosting time.	10–13 min.	10 min
2 slices	Place on kitchen paper.	45–60 sec.	5 min.
1 bread roll	Place on kitchen paper.	45–60 sec.	5 min.
2 bread rolls	Place on kitchen paper.	1–1½ min.	5 min.
Cakes and Pastry			
Gateau 450g/1 lb	Remove from packaging, place on plate.	9–11 min.	15–30 min.
Cheesecake 450g/1 lb	Remove from packaging, place on plate.	9–11 min.	15–30 min.
Pie (cooked) 450g/1 lb	Remove from packaging, place on plate.	7–9 min.	15–30 min.
Pastry 450g/1 lb	Remove from packaging, place on plate.	7–9 min.	15–30 min.
Butter			
250g/8.8 oz (1 packet)	If foil wrapped, remove from wrapper and place on a plate	3–4 min.	5–10 min.
Fruit			
225g/8 oz Soft berry fruits	Place in a single layer in a shallow dish.	5–6 min.	5–10 min.
450g/1 lb Soft berry fruits	Place in a single layer in a shallow dish.	7–8 min.	5–10 min.
Plated meal			
400g/14 oz	Cover with a plate or non P.V.C. cling film. To reheat, microwave on 100% (800W) for 3–4 minutes.	7–8 min	5–10 min.
Vegetables			
	It is not necessary to defrost vegetables before cooking. All vegetables can be thawed and cooked on 100% (800W)		

Defrosting Tips

1. It is better to underestimate defrosting time if you are unsure. Food will continue to defrost during the standing time.
2. Separate food as soon as possible.
3. Turn large items, e.g. joints, halfway through the defrosting time.
4. Remove any thawed food as soon as possible.
5. Remove or open any packaging before defrosting.
6. Place food in a larger container than that which it was frozen in, this will allow for easy stirring.
7. Begin thawing poultry, breast side down and turn over halfway through defrosting time or at pause. Delicate areas such as wing tips can be shielded with small pieces of smooth foil.

Standing time is very important, particularly for large, dense foods which cannot be stirred to ensure that the centre is completely defrosted before cooking.

Auto Reheat Programmes Chart

Auto Programme	Press Button	Standing Time	Recommendations
Chilled Ready Meal	Once	3 minutes	Put the meal on a ceramic plate and cover it with microwave cling film. This programme is suitable for the meals consisting of 3 components (e. g. meat with sauce, vegetables and side dishes like potatoes, rice or pasta).
Fresh Vegetables	Twice	3 minutes	Weigh the vegetables after washing, cleaning and cutting into a similar size. Put them into a glass bowl with lid. Add 45 ml (3 tablespoons) water when cooking 200- 450 g, add 60 ml (4 tablespoons) for 500- 650 g and add 75 ml (5 tablespoons) for 700- 750 g. Stir after cooking. (When cooking bigger quantities, stir once during cooking.)
Chicken Pieces	Three Times	3 minutes	Brush the chicken pieces with oil and spice them with pepper, salt and paprika. Put them on the grill rack with the skin- side down. Turn over when the oven beeps.
Frozen Bread Rolls	Four Times	2 Minutes	Put frozen bread rolls upside down in a circle on the grill rack. Turn over, as soon as the oven beeps.

Auto Defrost Programmes Chart

Category	Standing Time	Recommendations
Meat	20 - 60 minutes	Shield the edges with aluminium foil. Turn the meat over, when the oven beeps. This programme is suitable for beef, lamb, pork, steaks, chops, minced meat.
Poultry	20 - 60 minutes	Shield the leg and wing tips with aluminium foil. Turn the poultry over, when the oven beeps. This programme is suitable for whole chicken as well as for chicken portions.
Fish	20 - 50 Minutes	Shield the tail of a whole fish with aluminium foil. Turn the fish over, when the oven beeps. This programme is suitable for whole fishes as well as for fish fillets.
Bread / Cake	5 - 30 Minutes	Put bread on a piece of kitchen paper and turn over, as soon as the oven beeps. Place cake on a ceramic plate and if possible, turn over, as soon as the oven beeps. (Oven keeps operating and is stopped, when you open the door.) This programme is suitable for all kinds of bread, sliced or whole, as well as for bread rolls and baguettes. Arrange bread rolls in a circle. This programme is suitable for all kinds of yeast cake, biscuit, cheese cake and puff pastry. It is not suitable for short/crust pastry, fruit and cream cakes as well as for cake with chocolate topping.

Microwave Hints

- Always keep the oven clean – avoid spill-overs and do not forget to clean under the glass tray and the inside of the door.
- Preferably use round or oval casseroles with a lid when cooking in your microwave oven.
- Do not use metal or metal decorated casseroles. Certain plastic materials can melt and be warped by hot food.
- Cover the food when cooking. Use a glass lid, a plate or grease proof paper.
- Pastry, bread and the like can be defrosted directly in a bread basket or on a paper towel.
- If frozen food is heated in its packaging, the packaging should be opened. Packaging containing metal or metal decoration must not be used unless specifically recommended for use in the microwave. Remove metal clips and wire ties.
- Smaller pieces of aluminium foil can be used to cover parts that easily over cook such as chicken legs.
- Food with peel or skin should be pierced with a fork – e.g. potatoes and sausages. Do not boil eggs in the microwave oven as they can explode.
- Put large, thick pieces close to the edge of the casserole and try to cut the food in to even sized pieces. Always place the food in the centre of the oven.
- The food will be evenly cooked if you stir or turn it a few times.
- Always set a shorter cooking time than indicated in your recipe to avoid over cooking. The larger the amount of food the longer it takes.
- Use little or no water for vegetables.
- Use less salt and spices than for 'normal' cooking.
- Season afterwards.
- Allow a few minutes 'standing' time after the oven has switched off to ensure complete and even cooking results.
- Always ensure food is piping hot throughout before serving.
- Use pot holders or gloves when taking dishes and food from the oven.

Microwave Tips

- **Softening Honey**
If you have a jar of honey which has crystallised, remove lid and place the jar in the oven, microwave on medium power for 2 minutes.
- **Melting Chocolate**
Break 100g of chocolate into squares, place in A bowl and heat on high power for 1-2 minutes and stir well.
- **Softening or Melting Butter**
Melting takes a few seconds on high power. Softening is best done more gently on low power.
- **Freshen or Warm Bread**
Use medium power for few seconds.
- **Peeling Garlic easily**
Heat 3 or 4 cloves of garlic on high power for 15 seconds. Squeeze at one end until the clove pops out.
- **Fruit Juice**
Citrus fruits will yield more juice if they are heated on high power for 15 seconds before squeezing.
- **Cooking Porridge**
Porridge is easily cooked in the serving dish with no sticky pan to wash. Follow food manufacturers' recommendations.

Care and cleaning

The oven must always be clean. Residue of food from spillovers or spatters will attract microwave energy causing it to burn on. This could reduce the efficiency of the oven and may cause bad odours. Do not attempt to tamper with or make any adjustments or repairs to any part of the oven. Repairs should only be done by a qualified service technician.

Be sure the oven is disconnected from the electricity supply before cleaning.

Warning : Failure to maintain the oven in a clean condition could lead to deterioration of the surface that could adversely affect the life of the appliance and possibly result in a hazardous situation

Cleaning the accessories (turntable and support)

Clean them with mild detergent after removing them from the cavity. The turntable support should be carefully handled.

CAUTION: The inside of the oven and turntable get very hot, so do not touch them immediately after use.

Cleaning the interior

Always keep the inside of the oven clean. Wipe up spill-overs and food spatters immediately. Deposits that are allowed to remain on the oven walls, door seal and door surface will absorb microwave energy, reduce the efficiency of the oven, and possibly damage the oven interior. Use mild, liquid detergent, warm water and a soft, clean cloth to remove deposits.

NEVER USE ABRASIVE CLEANERS, COMMERCIAL OVEN CLEANERS OR STEEL WOOL PADS ON ANY PART OF THE MICROWAVE OVEN.

To loosen difficult deposits, boil a cup of water in the microwave oven for 2 or 3 minutes.

NEVER USE A KNIFE OR ANY UTENSIL TO REMOVE DEPOSITS FROM OVEN SURFACES.

To remove odours from the oven interior, boil a cup of water plus 2 tablespoons of lemon juice for 5 minutes.

The turntable motor is sealed. Nevertheless, be careful to avoid the water penetrating under the turntable spindle when the bottom of the oven is being cleaned.

Cleaning the Grill

The element may be stained with spattered fat or oil while the oven is in use. Wait until the cavity cools down and wipe off the spattered oil before next using of the oven. Stains on the grill may cause unpleasant odours and smoke.

Cleaning the exterior

Open the oven door when cleaning the control panel. This will prevent the oven from being turned on accidentally. You should clean outside surfaces of the oven with mild liquid detergent and water followed by a wiping with clear water to remove any excess detergent. Dry with a soft cloth.

Spray-on window cleaners or all purpose spray-on kitchen cleaners can also be used. Never use abrasive cleaners, scouring pads or harsh chemicals on outside surfaces of your oven. To prevent damage to the working parts, do not allow water to seep into ventilation openings.

GUARANTEE CONDITIONS

Electrolux offer the following guarantee to the first purchaser of this appliance:

1. The guarantee is valid for 24 months commencing when the appliance is handed over to the first retail purchaser, which must be verified by purchase invoice or similar documentation. The guarantee does not cover commercial use.
2. The guarantee covers all parts or components which fail due to faulty workmanship or faulty material. The guarantee does not cover appliances where defects or poor performance are due to misuse, accidental damage, neglect, faulty installation, unauthorised modification or attempted repair, commercial use or failure to observe requirements and recommendations set out in the instruction book. This guarantee does not cover such parts as light bulbs, removable glassware, or plastic.
3. Should guarantee repairs be necessary the purchaser must inform the nearest customer service office (ELECTROLUX's service or authorised agent). ELECTROLUX reserves the right to stipulate the place of repair (i.e. the customer's home, place of installation or ELECTROLUX workshop).
4. The guarantee or free replacement includes both labour and materials.
5. Repairs carried out under guarantee do not extend the guarantee period for the appliance. Parts removed during guarantee repairs become the property of ELECTROLUX.
6. The Purchaser's statutory rights are not affected by this guarantee.

European Guarantee

If you should move to another country within Europe then your guarantee moves with you to your new home subject to the following qualifications:

- The guarantee starts from the date you first purchased your product
- The guarantee is for the same period and to the same extent for labour and parts as exists in the new country of use for this brand or range of products
- This guarantee relates to you and cannot be transferred to another user
- Your new home is within the European Community (EC) or European Free Trade Area
- The product is installed and used in accordance with our instructions and is only used domestically, i.e. a normal household
- The product is installed taking into account regulations in your new country

Before you move please contact your nearest Customer Care centre, listed below, to give them details of your new home. They will then ensure that the local Service Organisation is aware of your move and able to look after you and your appliances.

France	Senlis	+33 (0) 3 44 62 20 13
Germany	Nürnberg	+49 (0) 800 234 7378
Italy	Pordenone	+39 (0) 800117511
Sweden	Stockholm	+46 (0) 20 78 77 50
UK	Slough	+44 (0) 1753 219898

Съдържание

Преди да използвате фурната	4	Таблицы	16
Технически характеристики	4	– Препоръки за готвене с Грилл	16
Инструкции за безопасност	5	– Основни препоръки за готвене с Грилл и микро- вълново готвене (комбинирано)	16
– Съдове за готвене и безопасност	5	– Препоръки за ръчно размразяване	16
– Мерки за безопасност при готвене с Грилл	5	– Таблица с програми за автоматично притопляне	17
– Тестване на съдовете за готвене	6	– Таблица с програми за автоатично размразяване	18
– Мерки за безопасност при обработка на храни	6	– Таблица с програма за бързо готвене	19
– Съдове за фурна и аксесоари	7		
– Разопаковане	7	Съвети при готвене с микровълнова фурна	20
Как да работим с микровълновата фурна	8	Грижа и почистване	21
– Наименование и функции на частите	8	– Почистване на аксесоарите (въртяща се чиния иподдръжка)	21
– Монтиране на въртящата се чиния	8	– Почистване на вътрешността	21
– Контролен панел	9	– Почистване на Грила	21
– Настройка на часовника	10	– Почистване на външната част	21
– Детска безопасност	10		
– За да спрете фурната	10	Условия на гаранцията	22
– Изключване на звуковия сигнал	11		
– Бърз старт	11	Сервиз и резервни части	23
– Ръководство за настройка на мощността	11		
– Микровълново готвене	12		
– Готвене с Грилл	12		
– Комбинирано готвене	13		
– Автоматично размразяване	13		
– Автоматично притопляне	14		

Поздравления за купуването на новата Ви фурна

Благодарим Ви за избора на Electrolux продукт. Ние сме убедени, че ще намерите фурната много полезна и тя ще бъде от голяма полза за Вас. Както и със всички нови кухненски уреди, ще отнеме малко време за да се запознаете със нейните качества и функции, но с времето, тази фурна ще Ви даде независимост.

Преди да ползвате фурната

Прочетете ръководството с инструкции внимателно. Следващите инструкции са приготвени да Ви осигурят най-добри резултати от фурната. Please make sure you read them carefully.

Важно е да пазите тази книжка за бъдещи справки. Ако уреда бъде предаден или продаден на друг собственик, или се местите или оставяте къщата празна, винаги се убеждавайте, че книжката е заедно с уреда или е предадена на нов собственик за да може той да се запознае с функциите на фурната и съответните предупреждения.

Моля убедете се, че сте прочели цялата книжка преди да използвате уреда, и следвайте препоръките дадени в нея.

Технически характеристики

Общи размери	Тегло 13.5 kg
Ширина 484 mm	Обем 20 Litre
Дълбочина 376 mm	
Височина 275 mm	Ел. мощност 230V, 50 Hz
Размери на вътрешността	Предпазител 10A
Ширина 323 mm	Консумирана мощност 2300W
Дълбочина 296 mm	
Височина 218 mm	Отдадена мощност 800W
	Грил 1000 W

Инструкции за безопасност

- Вградената система за сигурност предотвратява включване на фурната докато вратата на фурната е отворена..
- Не се месете в тази система, или не се опитвайте да работите с фурната докато вратата на фурната е отворена, защото отворената врата може да доведе до излагане на микровълнови вълни..
- Не позволявайте на храна да се разлива или почистващ препарат да остане върху уплътнението на вратата. Вижте раздела Почистване и Грижа за инструкции.
- Не работете с фурната ако тя е повредена, докато не се поправи от квалифицирана личност.
- Особено важно е врата да се затваря добре и да няма повреди по: (1) врата (основната), (2) пантите ключалките (счупени или неиспирни), (3) уплътнителите и повърхността срещу тях.
- При никакви обстоятелства не се опитвайте да поправяте уреда сами. Поправки направени от неквалифицирана особа могат да доведат до наранявания или сериозни проблеми. Свържете се с местният сервизен център.
- Не махайте външната облицовка, вратата или контролния панел по никое време. Правейки го може да се изложите на голямо електрическо напрежение.
- Монтирайте и сложете фурната само в съгласие с “**Монтажните инструкции**” дадени в тази книжка.
- Използвайте тази фурна само за цели, за които е направена и в съгласие с инструкциите дадени в книжката. Не използвайте корозивни химикали в този уред. Тази фурна е специално проектирана да топя, готви, или размразява храна. Тя не е проектирана за индустриална или лабораторна, както и за търговска цел защото това ще анулира гаранцията..
- Не работете с празна фурна.. Ако няма вода или храна във фурната да абсорбира микро- вълновата енергия, магнетронната лампа може да се повреди.
- Нагледжане на фурната е необходимо при работа на деца с нея.
- Не съхранявайте фурната навън. Не използвайте уреда в близост до вода.
- Не се опитвайте да сушите вестници или кърпи във фурната. Тези обекти могат да се запалят.
- Не използвайте вътрешността на фурната за съхраняване. Не оставяйте хартия, готварски съдове или храна във фурната, когато не я използвате.

Мерки за безопасност при готвене с Грил

1. Прозорецът за наблюдение може да се счупи ако вода попадне върху него при Грил или обикновено готвене.
2. Ползвайте ръкавици при вадене и слагане на храна във фурната. Съдът е за готвене се нагорещават по време на Грил готвене, така че внимавайте да не се изгорите. Въртящата се чиния и металната решетка стават много горещи, така че внимавайте когато работите с тях.
3. Не докосвайте с метални прибори външната или вътрешната част на фурната когато я пълните или изпразвате. Вътрешната част на фурната и врата се нагорещават много, внимавайте при работа с храна.
4. Не слагайте въртящата се чиния или съдовете във студена вода в желанието ви да ги охладите бързо.
5. Не слагайте обекти върху фурната. Горната част на фурната се нагорещават доста и обекти поставени отгоре могат да се повредят.

& Нормално е пара да се изпусне около вратата или замъгляване да се появи по врата или дори водни капки да се появят под вратата по време на процеса на готвене. Тази обикновена кондензация предизвикана от топлината не оказва влияние на сигурността на фурната. Уплътнението на вратата не е предвидено да изолира вътрешността напълно.

- Не насилвайте въртящата се чиния с ръка. Това може да предизвика повреда.
- Волтова дъга може да се появи във фурната при употреба на метални съдове. Повтарящи се волтови дъги могат да повредят уреда. Спрете готвенето и проверете съдовете.
- Мерки трябва да се вземат да не се задръстват въздушните отвори за вентилация в горната, задната, страничната и долната част на уреда.

Не използвайте тази фурна за търговски цели. Тази фурна е направена само за домашна употреба.

Съдове за готвене и безопасност

Повечето стъклени, стъкло-керамични и топлоустойчиви съдове са отлични за употреба във микровълнова фурна. Повечето стъклени и керамични съдове няма да се загреят от микровълните, но те могат да се нагряят от храната вътре в тях. Употребата на готварски ръкавици се препоръчва.

Тестване на съдовете за готвене

- Сложете съда във фурната заедно с чаша наполовина пълна с вода . Загрейте на 900 W (100%) за една минута. Ако съда е нагорещен, не бива да го използвате. Ако е просто леко топъл, може да го използвате за притопяване но не и за готвене. Ако съда е със стайна температура, може да го използвате за микровълново готвене.
- Хартиени кърпички, восъчна хартия, хартиени кърпи, чинии, чаши, картони, опаковки за фризер и картонени съдове са много подходящи съдове. Винаги се убеждавайте, че съдовете са пълни с храна за да абсорбират енергията и по този начин се избягва прегряване.
- Много пластмасови съдове, чаши, съдове за фризер и пласмасови фолиа могат да се използват във фурната . Следвайте инструкциите на производителя при работа с пластмаса във фурната. Избягвайте употреба на пласмасови съдове заедно с храна с високо съдържание на мазнини и захари, защото те достигат висока температура и могат да размекнат някои пластмаси.
- Метални съдове и съдове с метална декорация не бива да се използват в микровълновата фурна, с изключение на специално предназначенияте.
- Контейнери с тесни отвори, като бутилки, не трябва да се използват за микровълново готвене.
- Мерки трябва да се вземат при махане на капак или друго покритие от съдовете поради опасност от изгаряния от излизашата пара.

ВНИМАНИЕ : Не оставяйте фурната без наблюдение и я наглеждайте от време на време , когато готвите в пластмасови , хартиени или други леснозапалими контейнери. Ако се забележи пушек, дръжте вратата затворена, изключете фурната или я откачете от ел. мрежа , докато пушека спре.

- * Не зарявайте храна в консерва. Винаги вадете храната от консервата преди да я готвите.
- Силно запържване с много мазнина не бива да се извършва във микровълновата фурна, поради невъзможност от контрол на температурата, опасни ситуации могат да възникнат.

Мерки за безопасност при обработка на храни

- Пуканки могат да се приготвят във фурната, но само в специална опаковка или съд. Такава готварска операция никога не бива да остава без наблюдение.
- Продучетете храни с непореста кожа или мембрана, поради опасност от натрупване на пара във вътрешността на храната и избухване. Ябълки, картофи, пилешки дробовете, и жълтъци са примери за продукти, които трябва да се продучат..

ВНИМАНИЕ: Когато подгривате течности, в това число супи, сосове и напитки във Вашата фурна, ниво над точката на кипене може да се достигне без явните за това признаци. Това може да доведе до изкипяване на гореща течност. За да предотвратите това, следните стъпки трябва да се направят:

1. Избягвайте съдове със стесняващи се страни и тесни гърла.
2. Не претопляйте.
3. Разбъркайте течността преди да я сложите във фурната и още веднъж на половината време от подгриването.
4. След подгриването, оставете течността за кратко във фурната, разбъркайте отново и внимателно извадете съда..

- Някои продукти като цели яйца и такива във консерви – например, затворен стъклен буркан – могат да експлодират и не трябва да се подгриват във микровълнова фурна. Възможно е, яйца на очи да експлодират по време на готвене. Винаги дупчете жълтъка, след това покрийте и оставете около една минута преди да откриете.

- Не насилвайте въртящата се чиния с ръка. Това може да предизвика повреда.

* Волтова дъга може да се появи във фурната при употреба на метални съдове. Повтарящи се волтови дъги могат да повредят уреда.

- Мерки трябва да се вземат за незадръстване на въздушните отвори за вентилация разположени отгоре, отзад, отдолу и отстрани на уреда

ЗАБЕЛЕЖКА:

Не използвайте тази фурна за търговски цели.

Тя е предназначена само за домашни цели.

Пазете тези инструкции.

Съдове за фурна и аксесоари

Разнообразни Съдове и Материали могат да се използват във Вашата фурна. За Вашата безопасност и избягване на повреда на съдове и самият уред , използвайте подходящи съдове за всеки отделен готварски метод. Списъкът по-долу е ориентиран.

Материал	Съдове	Микровълново готвене
Керамика & Стъкло	Съд за пуканки	YES
	Топлинно устойчиви съдове	YES*1
	Стъклени съдове с метална декорация	NO
	Оловно стъкло	NO
Порцелан	Без метална декорация	YES
Глинени*2		YES
Пластмаса	Микровълново и топлинно устойчиви съдове	YES
	Найлонови фолия	YES
Метал	Тава за печене на хляб	NO
	Алуминиево фолио*3	YES
Хартия	Чаши, чинии, кърпи	YES
	Восъчна хартия	YES
Дърво		NO
Аксесоари	Грил решетка	NO
	Въртяща се чиния	YES
	Държач на чинията	YES

YES: Съдове и аксесоари , които могат да се ползват.

NO: Съдове и аксесоари за избягване.

*1 Само ако нямат метално покритие.

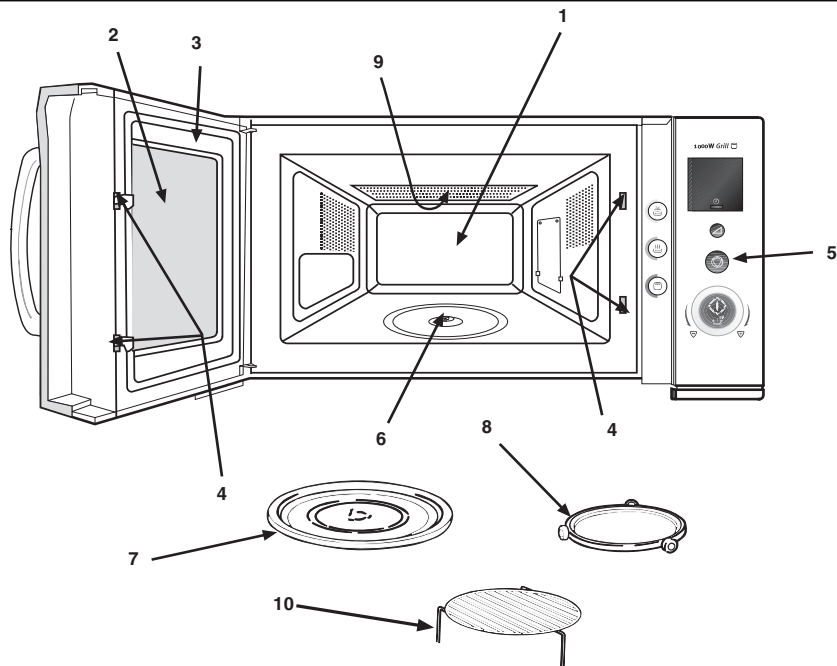
*2 Само ако няма глазура съдържаща метал.

*3 ЗАБЕЛЕЖКА: Използвайте алуминиево фолио само за покриваща функция, прекомерна употреба ще доведе до волтова дъга.

Разопаковане

Важно: При разопаковане на фурната проверете дали уреда е здрав. При повреда или липсващи части уведомете незабавно доставчика. Фурната, нейни части или принадлежности може да са увити в защитно фолио. В този случай трябва да отстраните това фолио преди да използвате фурната. Не оставяйте опаковъчен материал на места, където малки деца могат да си играят с него. Това може да бъде опасно за тях.

Как да работим с микровълновата фурна



Наименование и функция на частите

1. Готварско отделение. Забърсвайте до чисто след готвене.
 2. Прозорец за наблюдение. Храната може да се наблюдава, докато фурната работи.
 3. Врата на фурната. Вратата трябва да бъде винаги добре затворена.
 4. Безопасно заключване и система за затваряне.
 5. Контролен панел.
 6. Задвижване на въртящата се чиния.
 7. Въртяща се чиния.
 8. Държач на въртящата се чиния.
 9. Грил елемент.
 10. Грил решетка, използва се при Грил готвене и запичане.
1. Поставете държача на въртящата се чиния на дъното на вътрешността.
2. Поставете въртящата се чиния върху държача както е показано на диаграмата. Убедете се, че държача е добре поставен върху задвижването. **Никога не поставяйте въртящата се чиния наобратно.**

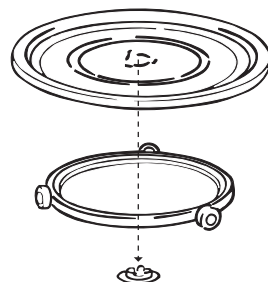
Монтиране на въртящата се чиния

- Двете, и държача и въртящата се чиния трябва винаги да се използват по време на готвене.
- Всичката храна и съдове с храна трябва да се поставят върху тази чиния.
- Тази чиния се върти по часовниковата и срещу часовниковата стрелка. Това е нормално.

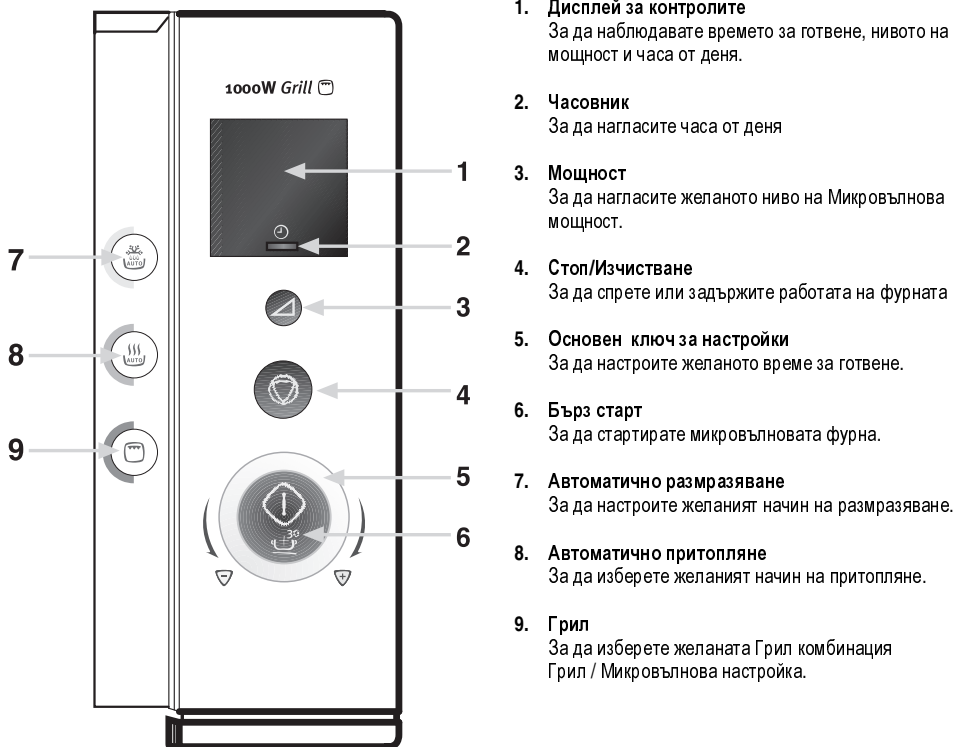
Въртяща се чиния

Държач на чинията

Задвижване



Контролен панел



1. **Дисплей за контролите**
За да наблюдавате времето за готвене, нивото на мощност и часа от деня.
2. **Часовник**
За да нагласите часа от деня
3. **Мощност**
За да нагласите желаното ниво на Микровълнова мощност.
4. **Стоп/Изчистване**
За да спрете или задържите работата на фурната
5. **Основен ключ за настройки**
За да настроите желаното време за готвене.
6. **Бърз старт**
За да стартирате микровълновата фурна.
7. **Автоматично размразяване**
За да настроите желаният начин на размразяване.
8. **Автоматично притопляне**
За да изберете желаният начин на притопляне.
9. **Грил**
За да изберете желаната Грил комбинация Грил / Микровълнова настройка.

Настройка на часовника

Когато Вашата фурна е включена за първи път или когато електрическото захранване е възстановено след спиране, Дисплея за контролите мига и показва "----"

Пример: За да нагласите 4.30

1. Натиснете бутона на Часовника.
2. Нагласете часа "4:00" използвайки основния ключ за настройки.
3. Натиснете бутона на Часовника.
4. Нагласете и минутите до "4:30" използвайки основния ключ за настройки.
5. Натиснете бутона на Часовника. (Сега времето ще бъде настроено).

Забележка : Възможно е да изпишете настоящото време дори и след като сте стартирали настройката за часа, като натиснете бутона на часовника (часа се изписва за около 2 секунди).

Детска безопасност

Тази фурна има настройка за безопасност, която предотвратява инцидентно включване на фурната от деца. Един път включена тази настройка, никоя част от микровълновата фурна няма да работи, докато заключването срещу деца не бъде анулирано.

За да настроите:

1. Натиснете ' Стоп/Изчистване ' бутона и ' Часовник ' бутона заедно ще се появи ' L ' на дисплея.

За да анулирате тази настройка, просто натиснете заедно ' Стоп/Изчистване ' бутона и ' Часовник ' бутона.

За да спрете фурната

Има два начина да спрете фурната докато тя работи.

1. Натиснете Стоп/Изчистване бутона
 - Може да стартирате фурната отново като натиснете Старт бутона
 - С натискане на Стоп/Изчистване бутона ще възстановите настоящата програма
2. Отворете вратата
 - Може да стартирате фурната отново като затворите вратата и натиснете Старт бутона
 - С натискане на Старт/Изчистване бутона отново ще анулирате настоящата програма.

След края на всяко готвене охлаждащия вентилатор ще продължи да работи , докато вратата на фурната не е готова за отваряне..

Изключване на звуковият сигнал

Тази фурна има възможност за изключване на звуковия сигнал. Когато направите тази настройка ще изключите звука, който звучи при натискане на бутон, това също ще отмени звуковият сигнал, който се появява след края на готварска програма.

За да настроите:

1. Натиснете ' **Стоп/Изчистване** ' бутона и ' **Старт** ' бутона заедно. ' **OFF** ' ще се появи на дисплея.

За да отмените, просто натиснете ' **Стоп/Изчистване** ' бутона и ' **Старт** ' бутона заедно.

Бърз Старт

Натискане на ' **Старт** ' бутона ще включи фурната на пълна мощност (900 W) за 30 секунди.

С всяко натискане на ' **Старт** ' бутона ще увеличавате времето за готвене с 30 секунди.

Ръководство за настройка на мощността

Настройка за мощност	Препоръка за използване
100W	Поддържане на топло : Държи храната топла
180W	Отпускане на замразени храни.
300W	Варене : Завършва цикъла на готвене на някои печива. Печива и варива. Крем карамелилиг солени кейкове.
450W	Средно : Бързо размразяване за печива и варива. Печене на кейкове и пудинги
600W	Претопляне : Притопляне на печива и варива. Притопляне на предварително сготвени храни. Печене на парчета месо и птици
800W	Максимална мощност; Варене на супи и подгряване на течности. Готвене на зеленчуци. Предварително приготвяне на ястия със силно запичане.

Микровълново готвене

1. Отворете вратата, сложете храната върху въртящата се чиния. Затворете вратата. За да изключите фурната по време на готвене, просто натиснете Стоп/Изчистване бутона.
2. Натиснете бутона за Мощност докато желаното ниво на мощност се достигне. **Забележка:** След употреба се убедете, че сте натиснали Стоп/Изчистване бутона Два пъти за да сте готови за следваща употреба.
3. Нагласете желаното време на готвене като завъртите Основния ключ за Настройка.
4. Натиснете Старт (**Фурната започва да готви.**)

Пример: За да сготвите при 450 W за 15 минути

1. Натиснете бутона за мощност 3 пъти (' 450 ' трябва да е изписано на дисплея).
2. Завъртете основния ключ за настройка (' 15:00 ' трябва да е изписано на дисплея).
3. Натиснете Старт. Фурната сега ще започне да готви.

Готвене с Грил

1. Отворете вратата, поставете храната върху Грил решетката. Затворете вратата. За да изключите фурната по време на готвене, просто натиснете Стоп/Изчистване бутона.
2. Натиснете Грил бутона веднъж. **Забележка:** След употреба се убедете, че сте натиснали Стоп/Изчистване бутона Два пъти за да сте готови за следваща употреба.
3. Нагласете желаното време като завъртите Основния ключ за настройки.
4. Натиснете Старт (**Фурната започва да готви.**)

Пример: За да сготвите С Грил за 15 минути

1. Натиснете Грил бутона един път.
2. Завъртете Основния ключ за настройки. (' 15:00 ' трябва да е изписано на дисплея).
3. Натиснете старт. Фурната започва да работи

Трябва да подгреете предварително Грила преди да готвите.
За да подгреете предварително извършете горните стъпки и подгрейте за 3 - 4 минути.

Комбинирано готвене

1. Отворете вратата, place the food on the Grill rack.

2. Натиснете Грил бутона два пъти.

3. Настройте желаното време.

4. Затворете вратата и натиснете Старт (Фурната започва да работи.)

За да изключите фурната по време на готвене, просто натиснете Стоп/Изчистване бутона.

Забележка: След употреба се убедете, че сте натиснали Стоп/Изчистване бутона Два пъти за да сте готови за следваща употреба.

Пример: За да сготвите с Грил и 300 W (combi 3) микровълново готвене за 15 минути

1. Отворете врата

2. Натиснете Грил бутона два пъти

3. Завъртете Основният Ключ за Настройките . (' 15:00 ' трябва да се появи на дисплея).

4. Затворете вратата и натиснете Старт. Фурната започва да работи.

Не е необходимо да подгрявате предварително при комбинираното готвене.

Combi 1	X 2	1300W	600W
Combi 2	X 3	1300W	450W
Combi 3	X 4	1300W	300W

Автоматично размразяване

За ръчно размразяване, използвайте 180 W мощност. За да ускорите размразяването на плътни храна над 450 гр. , фурната може да се стартира от 800 W (100%) мощност за 1 - 3 минути, след това намалете до (180 W) докато завърши размразяване.

1. Отворете вратата и поставете храната върху въртящата се чиния.
2. Натиснете бутон ' Автоматично размразяване ' докато достигнете желаната програма .
3. Завъртете Основния ключ за Настройка докато се достигне препоръчаното количество.
4. Затворете вратата.
5. Натиснете Старт (Фурната започва да размразява.)

Забележка : За подробности виж таблицата по-долу.

За да изключите фурната по време на размразяване, просто натиснете Стоп/Изчистване бутона.

Забележка: След употреба се убедете, че сте натиснали Стоп/Изчистване бутона Два пъти за да сте готови за следваща употреба.

Забележка : По време на Автоматично размразяване фурната сама ще избере нивото на мощност и времето за готвене.

Таблица за избор на Автоматични готварски функции :

Автоматична програма	Натискания на бутон	Размер на порцията
Месо	Един път	200 – 2000 гр
Птици	Два пъти	200 – 2000 гр
Риба	Три пъти	200 – 2000 гр
Хляб / Кекс	Четири пъти	125 – 1000 гр

Пример: За автоматично размразяване на 500 гр риба.

1. Отворете вратата.
2. Натиснете бутона за Автоматично размразяване 3 пъти
3. Завъртете основния ключ за настройка докато 500 е изписано на дисплея.
4. Затворете вратата и натиснете Старт. Фурната сега ще започне да размразява.

За бъдещи справки вижте Таблицата за Автоматично размразяване.

Автоматично претопляне

Тази фурна има функция за Автоматично размразяване на охладени, замразени готови ястия, напитки студени супи..

1. Отворете вратата и сложете храната върху въртящата се чиния.
2. Натиснете бутон “ Автоматично претопляне “ докато желаната програма е достигната.
3. Завъртете Основния ключ за Настройка докато се достигне препоръчаното количество.
4. Затворете вратата.
5. . Натиснете Старт Фурната започва да готви.

ЗАБЕЛЕЖКА: За подробности вижте таблицата по-долу. За да изключите фурната по време на готвене, просто натиснете Стоп/Изчистване бутона.

Забележка: След употреба се убедете, че сте натиснали Стоп/Изчистване бутона Два пъти за да сте готови за следваща употреба.

ЗАБЕЛЕЖКА : По време на Автоматично Готвене фурната автоматично ще избере нужната микровълнова мощност и време на готвене.

Таблица за избор на Автоматични готварски функции :

Автоматична програма	Натискания на бутон	Размер на порцията
Охладени готови ястия	Един път	300 - 350 гр.
		400 - 450 гр.
		500 – 550 гр.
Пресни зеленчуци	Два пъти	200 - 250 гр.
		300 – 350 гр.
		400 – 450 гр.
		500 – 550 гр.
		600 – 650 гр
		700 - 750 гр.
Пилешки парчета	Три пъти	200 - 300 гр. (1 парче)
		400 – 500 гр. (2 парчета)
		600 – 700 гр. (3 парчета)
		800 – 900 гр. (4 парчета)
Замразени Хлебчета	Четири пъти	100 – 150 гр. (2 парчета)
		200 – 250 гр. (4 парчета)
		300 – 350 гр. (6 парчета)

Пример: За Автоматично готвене на 500 гр. Замразени зеленчуци

1. Отворете вратата.
2. Натиснете бутона Автоматично претопляне 2 пъти
3. Завъртете Основния ключ за настройки докато 500 - 550 се покаже на дисплея.
4. Затворете вратата и натиснете Старт. Фурната сега ще започне да готви.

Виж таблицата за Автоматично готвене за бъдещи справки.

Таблицы

Препоръки за готвене с Грил

Всички видове храни трябва да се поставят върху Високата Грил решетка и с неметална чиния отдолу за да събира соковете и разливанията от Грил готвенето и по този начин да намалите усилията при почистване. Обръщайте храната на половината време от готвенето.

Храна	Количество (Тегло)	Време на готвене	Забележка
Тостер	2 Филии	4 – 5 мин	
Тостер със сирене	4 Филии	6 – 7 мин	4 – 5 мин. за печене. 2 мин. ако са с топинг

Основни препоръки при готвене с Грил и микровълново готвене | Комбинирано)

Използвайте ниската Грил решетка за печене на телешко и свинско, покрийте нежните части. Поставете неметална чиния под решетката за да събирате соковете от печенето и да улесните почистването след това. Обръщайте храната от време на време.

Храна	Количество (Тегло)	Позиция на селектора за мощност	Време за готвене	Забележка
Бекон	4 (100 гр.)	Микровълново 300 W + Грил	7- 9 мин.	
Печено телешко (с кокал)	900 гр.	Само микровълново 300 W	25 мин.	Намажете с олио. Подправете със сол, черен и червен пипер. Оставете 15-20 мин. Във фурната след края на готвенето.
Печено свинско (филе)	900 гр.	Микровълново 240W + Грил	5 - 6 мин.	
Свинско печено, порции	2 - 3(450 гр.)	Микровълново 450W + Грил	20 - 25 мин.	Намажете с олио. Подправете със сол, черен и червен пипер.
Пиле, половин пиле Бутчета	450 гр.	Само микровълново 600 W Микровълново 300W + Грил	15 - 20 мин.	Намажете с олио. Подправете със сол, черен и червен пипер.
	800 гр.		25 - 30 мин.	
Замразени хамбургери	4 (200 гр.)	Микровълново 300W + Грил	12 - 15 мин.	
Наденици	450 гр. Само	Микровълново 450W + Грил	10 - 15 мин.	
Рибни филета	2 (350 гр.)	Микровълново 300W + Грил	22 – 24 мин	Brush with oil, Season with salt and pepper.
Замразени картофи, запичане	2 (150 гр.)	Микровълново 300 W + Грил	16 – 18 мин	

Препоръки за ръчно размразяване

Някои храни като хляб, плодове, могат успешно да се отпуснат със настройка на мощност от (180W).

ХРАНА	ПОДГОТОВКА	Време на размразяване	Време на престой след свършване на програмата
Хляб			
Малък хляб	Поставете върху устойчив на микровълни съд или кухненска хартия . Обърнете на половината време от размразяването.	8–10 мин.	10–15 мин.
Цял нарязан хляб	Поставете върху устойчив на микровълни съд или кухненска хартия . Обърнете на половината време от размразяването.	10–13 мин.	10 мин
2 филийки	Поставете върху кухненска хартия.	45–60 сек.	5 мин.
1 франзела	Поставете върху кухненска хартия.	45–60 сек.	5 мин.
2 франзели	Поставете върху кухненска хартия.	1–11/2 мин.	5 мин.
Сладкиши и кексове			
Кейк 450 гр.	Извадете от опаковката, сложете върху чиния.	9–11 мин.	15–30 мин.
Солен кейк 450 гр.	Извадете от опаковката, сложете върху чиния.	9–11 мин.	15–30 мин.
Пай (готвен) 450 гр.	Извадете от опаковката, сложете върху чиния.	7–9 мин.	15–30 мин.
Сладкиши 450 гр.	Извадете от опаковката, сложете върху чиния.	7–9 мин.	15–30 мин.
Масло			
250 гр. (1 пакетче)	Ако е покрито с фолио, махнете и поставете върху чиния.	3–4 мин.	5–10 мин.
Плодове			
225 гр. Меки плодове	Поставете на един ред в плитка чиния.	5–6 мин.	5–10 мин.
450 гр. Меки плодове	Поставете на един ред в плитка чиния.	7–8 мин.	5–10 мин.
Готови ястия			
400 гр.	Покрийте с чиния или не P.V.C. фолио За да притоплите, пуснете микровълново готвене на 100 % (800W) за 3–4 минути.	7–8 мин	5–10 мин.
Зеленчуци			
	Не е необходимо да размразявате зеленчуците преди да ги сготвите. Всички зеленчуци могат да се размразяват и готвят при 100% (800 W)		

Типове размразяване

- По-добре е да подцените времето за размразяване. Храната ще продължи да се размразява по време на престоя му след края на програмата за размразяване.
- Отделяйте парчетата храна едно от друго , колкото е възможно по скоро.
- Обръщайте големите парчета храна, на половината време от размразяването.
- Махайте вече размразени парчета храна.
- Махайте или отваряйте опаковките на храната.
- Поставете храната в по-големи съдове от тези в които е била замразена, за да подпомогнете процеса на размразяване.
- Започнете размразяване на птици с гърдите надолу и обърнете на половината време от размразяването или обръщайте храната на паузи. Деликатните части от птицата, като краищата на крилцата могат да се увият в тънко фолио.

Времето на престой на храната във фурната след края на програмата по размразяване е изключително важно, особено за големи парчета и плътни храни, които не могат да се отделят и по този начин да се уверим, че храната е размразена в центъра преди да я сготвим .

Таблица с програми за Автоматично Претопляне

Автоматична програма	Натискания на бутон	Време на престой	Препоръки
Охладени готови ястия	Един път	3 минути	Сложете ястието върху керамична чиния и я покрийте с фолио за микровълнова фурна. Тази програма е подходяща за ястия от 3 компонента (като месо със сос, зеленчуци и гарнитури като картофи, ориз или паста).
Пресни зеленчуци	Два пъти	3 минути	Претеглете зеленчуците след миене, почистване и нарязването им. Сложете ги в стъклена купа с капак. Сложете 45 мл. (3 чаени лъжички) вода когато готвите 200- 450 гр, добавете 60 мл. (4 чаени лъжички) за 500- 650 гр и добавете 75 мл. (5 чаени лъжички) за 700- 750 гр. Разбъркайте добре след готвене. (Когато готвите по-големи количества, разбъркайте по-време на готвенето.)
Пилешки парчета	Три пъти	3 минути	Намажете пилешките парчета със мазнина. Подправете със сол, черен и червен пипер. Сложете върху високата Грил решетка с кожата обърната надолу. Обърнете храната след края на готвенето.
Замразени хлебчета	Четири пъти	2 минути	Сложете хлебчетата в кръг върху Грил решетката . Обърнете ги след като завърши претоплянето.

Таблица с програми за Автоматично размразяване

Категория	Време на престой след края на Автоматичната програма	ПРЕПОРЪКА
Месо	20 - 60 минути	Покрийте яйцата с алуминиев фолио . Обърнете месото след като чуете сигнала за край на програмата. Тази програма е подходяща за телешко, агнешко, свинско, пържоли, кълцано месо, кайма.
Птици	20 - 60 минути	Покрийте краката и крилата с алуминиево фолио. Обърнете птицата след като чуете сигнала за край на програмата. Тази програма е подходяща , както за цели птици така и за части от тях.
Риба	20 - 50 минути	Покрийте опашката на рибата с алуминиево фолио. Обърнете рибата след като чуете сигнала за край на програмата. Тази програма е подходяща за цяла риба и за филета от нея.
Хляб / Кекс	5 - 30 минути	Сложете хляба върху парче кухненска хартия и го обърнете възможно на-скоро след като чуете сигнала за край на програмата. Сложете кейка върху керамична хартия и ако е възможно я обърнете след като чуете сигнала за край на програмата. (Фурната работи и спира след като вратата е отворена.) Тази програма е подходяща всички видове хляб, нарязан или цял, както и за кифли и бисквити. Подредете хлебчетата в кръг. Тази програма е подходяща за всички видове заквасени кейкове, бисквити, солени кейкове и сладкиши. Не е подходяща за сладкиши с глазура, плодови и сметанови торти , както и за торти със шоколадово покритие.

Съвети при микровълново готвене

- Винаги поддържайте фурната чиста – избягвайте разсипвания и не забравяйте да почиствате под стъклена тава и вътрешната част на вратата.
- За предпочитане е да използвате заоблени или кръгли съдове с капак при готвене в микровълновата фурна.
- Не използвайте метални съдове или съдове с метална декорация. Неподходящи пластмасови съдове могат да се размекнат от топлината на храната в тях.
- Покривайте храната, когато готвите. Използвайте стъклен капак, чиния или хартия устойчива на мазнина.
- Сладкиши, хляб или други могат директно да се размразят във кошницата за хляб или в хартиена кърпа.
- Ако замразена храна се подгрява в нейната опаковка, то тя трябва да се отвори. Опаковки съдържащи метал или метална декорация не бива да се използват освен ако те не са специално проектирани за работа в микровълновата фурна. Махнет е металните свързки и други подобни от опаковката.
- Малки парчета алуминиево фолио могат да покриват нежни части от храната, за да не загарят, като пилешки крака.
- Храни с люспи или кожа трябва да се пробиват със вилица – като картофи и наденица. Не варете яйца в микровълнова защото те могат да експлодират.
- Слагайте големи, плътни парчета близо до краищата на съда и опитайте да нарежете храната на еднакви по-малки парчета. Винаги слагайте храната в центъра на фурната.
- Храната ще се сготви по бързо и добре ако я разбърквате или обръщате от време на време.
- Винаги задавайте по-късо време на готвене от даденото в рецептите за да избегнете прегаряне. Колкото е по-голямо количеството толкова по-дълго време ще трябва за да сготвите.
- Използвайте малко или никаква вода за зеленчуците.
- Използвайте по-малко сол или подправки от "нормалното" готвене.
- Подправете по-късно.
- Оставете храната за няколко минути във фурната след края на готвенето за да позволите завършеност на готвенето и добри резултати.
- Винаги се убеждавайте, че храната е цялостно топла преди да сервираме.
- Използвайте кърпи или кухненски ръкавици при вадене на храната от фурната.
- * **Размекване на мед**
Ако имате буркан със захаросан мед, махнете капачката и поставете буркана във фурната,

Полезни съвети

пуснете фурната на средна мощност за около 2 минути.

- **Размекване на шоколад**
Начупете 100 гр. шоколад на блокчета, поставете ги в купа и подгрейте при висока мощност за около 1-2 минути и разбъркайте добре.
- **Размекване или разтопяване на масло**
Размекването отнема няколко секунди при висока мощност, докато разтопяването изиска по – нежна мощност и малко повече време.
- **Освежаване или претопляне на хляб**
Използвайте средна мощност за няколко секунди.
- **По-лесно обелване на чесън**
Подгрейте 3-4 скилидки чесън на висока мощност за 15 секунди. После ги стиснете за единият край и те се обелват.
- **Флодов сок**
Цитрусовите плодове ще пуснат повече сок преди да ги изстисате, ако ги подгреете на висока мощност за 15 секунди.
- **Приготвяне на овесена каша**
Овесената каша може лесно да се приготви направо в чинията за сервиране и да не се налага да мием загорели тигани. Следвайте препоръките на производител.

Грижа и почистване

Фурната трябва винаги да се поддържа чиста. Остатъци от храна ще привлекат микровълновата енергия и ще се появят тежки загаряния. Това може да доведе до намаляване на ефективността на фурната и лоши миризми. Не правете опити да модифицирате и поправяте която и да е част от фурната. Поправки могат да се правят само от квалифициран сервизен инженер.

Уверете се , че фурната е изключена от електрическата мрежа преди почистване.

Почистване на аксесоарите (въртяща се чиния и поддръжка)

Почиствайте ги със мек почистващ препарат след като ги извадите от фурната. Работата по почистване на аксесоарите трябва да се извършва внимателно.

Предупреждение: Вътрешността на фурната се нагрява много, така че не ги пипайте веднага след употреба на фурната.

Почистване на вътрешността

Винаги поддържайте вътрешността на фурната чиста. Забърсвайте разливания и остатъци от храна след всяко готвене. Отлагания на храна по стените на фурната, уплътнението на вратата и самата врата, ще доведе до привличане на микровълнова енергия, намаляване на ефективността на фурната и евентуално могат да доведат до повреда на вътрешността на фурната. Използвайте меки, течни препарати, топла вода и меки, чисти скърпи за отстраняване на отлагания.

Никога не използвайте абразивни почистващи препарати, такива за търговка употреба или телчета по никоя част на фурната.

За да отстраните тежки замърсявания, сложете чаша с вода и ч кипнете за около 2-3 минути.

НИКОГА НЕ ИЗПОЛЗВАЙТЕ НОЖ ИЛИ ДРУГИ ПРИБОРИ ЗА ПОЧИСТВАНЕ НА ПОВЪРХНОСТИ НА ФУРНАТА.

За да премахнете лоши миризми от фурната, сложете чаша с вода и 2-3 лъжички лимонов сок и кипнете за около 5 минути.

Почистване на Грила

Грил елемента може да се покрие със мазнина по време на готвене. Изчакайте докато фурната се охлади и забършете преди следващо ползване на фурната. Непочистване на такива натрупвания довеждат до поява на неприятни миризми.

Двигателя на въртящата се чиния е капсулован. Въпреки това не позволявайте вода да се разлива по дъното на фурната когато почиствате.

За да улесним почистването на вътрешността на фурната, горният подгриващ елемент може леко да се наведе надолу. Убедете се , че елемента не е горещ преди да почиствате.

Почистване на външната част

Отваряйте вратата на фурната когато почиствате контролния панел. Това ще попречи фурната да бъде инцидентно преобърната. Трябва да почиствате външната част на фурната с мек течен почистващ препарат последвано от избърсване с напоена в чиста вода кърпа и подсушаване с мек парцал.

Прей за почистване на прозорци или спрей за кухненско почистване също могат да се използват. Никога не използвайте абразивни препарати, разяждащи пудри или груби химикали по външната повърхност на Вашата фурна. За да избегнете повреди не допускайте вода да влиза през вентилационните отвори.

Условия на гаранцията

Electrolux предлага следните гаранционни условия на първият купувач на този уред :

1. Гаранцията е валидна за 24 месеца от закупуване на уреда и това се доказва със фактурата получена от купувача при получаване на уреда. Гаранцията не покрива търговска употреба.
2. Гаранцията покрива всички част и компоненти , които се повредят поради лоша сглобка или материал. Гаранцията не покрива уреди при които е засечена повреда или слабо представяне дължащо се на неправилна употреба , повреди причинени от инциденти несвързани директно с фурната , занемаряване ъ, грешен монтаж, нерегламентирани модификации или опити за поправка , търговска употреба или неспазване на препоръките и правилата дадени в книгата с инструкции. Тази гаранция не покрива части като, крушки за осветление махащи се стъклени и пластмасови аксесоари.
3. Ако ползването на гаранцията е нужно купувача е длъжен да уведоми най-близкият сервизен център на ELECTROLUX (ELECTROLUX оторизиран сервизен агент). ELECTROLUX си запазва правото да избере мястото на поправка (дома на клиента, място на инсталацията или ELECTROLUX работилница).
4. Гаранцията или безплатната замяна включват както труда така и материалите.
5. Поправки направени по време на гаранцията не удължават периода на самата гаранция. Части подменени при поправки стават автоматично собственост на ELECTROLUX.
6. Правата и статута на купувача не са нарушени с тази гаранция.

Европейска гаранция

Ако се преместите в друга държава в рамките на Европа то гаранцията се мести заедно с Вас при следните спецификация:

- Гаранцията стартира от датата на която сте закупили уреда
- Гаранцията е за същият период от време и условия на труд и резервни части каквито са в новата страна за такъв вид и марка продукти.
- Гаранцията се отнася до Вас и не може да се трансферира на друг
- Вашият нов дом е в рамките Европейската Общност (ЕС) или Европейската свободна търговска зона
- Продукта е инсталиран в съгласие с инструкциите и се ползва само за домашни цели, нормално домакинство
- Уреда е монтиран в съгласие с особеностите на новата страна

Преди да се преместите моля свържете са с най-близкият Сервизен Център, изписани по долу, за да им предадете данни за Вашият нов дом. По този начин те ще бъдат в състояние да уведомят новият Сервизен Център за Вашето пристигане и ще могат да се погрижат за Вас Вашият уред.

France	Senlis	+33 (0) 3 44 62 20 13
Germany	Nürnberg	+49 (0) 800 234 7378
Italy	Pordenone	+39 (0) 800117511
Sweden	Stockholm	+46 (0) 20 78 77 50
UK	Slough	+44 (0) 1753 219898

Sadržaj

Prije uporabe vaše mikrovalne pećnice.....	3
Tehnički podaci	3
Sigurnosne upute.....	4
- Sigurnost pribora	4
- Sigurnosne napomene za pripremu hrane pomoću roštilja.....	4
- Provjera prikladnosti posuda	5
- Sigurnost namirnica.....	5
- Vodič kroz pribor i opremu pećnice	6
- Uklanjanje ambalaže	6
Kako se koristi vaša mikrovalna pećnica	7
- Naziv i funkcija dijelova	7
- Postavljanje okretnog tanjura	7
- Upravljačka ploča	8
- Podešavanje sata	9
- Zabavljenje za zaštitu djece	9
- Zaustavljanje pećnice	9
- Isključivanje zvučnog signala	10
- Brz start	10
- Vodič za podešavanje snage mikrovalova	10
- Kuhanje s mikrovalovima	11
- Kuhanje sa roštiljem	11
- Kombinirano kuhanje sa mikrovalovima i roštiljem	12
- Automatsko odleđivanje	13
- Automatsko podgrijavanje	15
- Preporuke za kuhanje s roštiljem	16
- Općenite preporuke za kuhanje s mikrovalovima i roštiljem	16
- Preporuke za ručno odleđivanje.....	17
- Tablica programa automatskog podgrijavanja	18
- Tablica programa automatskog odleđivanja	19
Savjeti o mikrovalnoj pećnici.....	20
Održavanje i čišćenje.....	21
- Čišćenje opreme (okretni tanjur i podupirač)	21
- Čišćenje unutrašnjosti	21
- Čišćenje roštilja	21
- Čišćenje vanjskog dijela pećnice.....	21
Servis i nadomjesni dijelovi.....	22

Čestitamo na kupovini vaše nove mikrovalne pećnice

Hvala vam na odabiru Electrolux proizvoda. Sigurni smo da će vam nova mikrovalna pećnica biti vrlo korisna i od velike pomoći. Kao što je slučaj i s ostalim novim kuhinjskim uređajima, potrebno je određeno vrijeme da naučite sve nove funkcije i mogućnosti, ali s vremenom, ova pećnica će vam postati nezamjenjiva.

Prije uporabe vaše mikrovalne pećnice

Pažljivo pročitajte upute za uporabu. Upute koje slijede pripremljene su kako bi vam omogućile optimalno korištenje vaše nove mikrovalne pećnice.

Molimo vas da ih pročitate pažljivo. Vrlo je važno da ove upute sačuvate uz uređaj za daljnje korištenje. Ako uređaj prodate ili posudite drugoj osobi, ili ako se preselite i ostavite uređaj, uvijek provjerite da li su upute pohranjene uz uređaj kako bi se novi vlasnik mogao upoznat s načinom rada i odgovarajućim upozorenjima. Molimo vas da prije korištenja uređaja pročitate ove upute u potpunosti i potom slijedite dane preporuke.

Tehnički podaci

Ukupne dimenzije	Težina 13.5 kg
Širina 484 mm	Volumen 20 litara
Dubina 376 mm	
Visina 275 mm	Priključak 230V, 50 Hz
Dimenzije unutrašnjosti	Osigurač 10 A
Širina 323 mm	Potrošnja energije 2300W
Dubina 296 mm	Snaga 800 W
Visina 218 mm	Roštij 1000 W

Sigurnosne upute

- Ugrađeni sigurnosni prekidač za blokadu onemogućava korištenje mikrovalne pećnice dok su otvorena vrata.
- Ne "prčkajte" oko vrata i ne pokušavajte uključiti pećnicu ako su vrata otvorena, jer se na taj način možete izložiti energiji mikrovalova.
- Ne dopustite prosipanje hrane ili nakupljanje ostataka sredstva za čišćenje na površini brtve vrata. Pogledajte poglavlje Čišćenje i održavanje za upute u vezi čišćenja.
- Ne koristite oštećen uređaj dok ga ne popravi stručna i ovlaštena servisna osoba.
- Posebno je važno da vrata pećnice budu pravilno zatvorena i da nema oštećenja na: (1) vratima (svinuta), (2) šarkama i zasunima (sломljeni ili nesigurni), (3) brtve na vratima i površini brtve vrata.
- Nikad ne pokušavajte sami popravljati pećnicu, nestručni popravci mogu uzrokovati ozljede i ugroziti funkcioniranje pećnice. Ako trebate servisnu uslugu potražite je u najbližem ovlaštenom servisu.
- Nikada ne skidajte vjansko kućište, vrata ili upravljačku ploču. Ako to učinite postoj opasnost od izlaganja iznimno visokom naponu.
- Postavljanje i smještanje ove pećnice izvršite samo u skladu s poglavljem "UPUTE ZA POSTAVLJANJE" ovih uputa.
- Ovaj uređaj koristite samo u svrhe za koje je proizveden, kao što je opisano u ovom uputstvu. Ne koristite korozivna kemijska sredstva u uređaju. Ovaj tip pećnice posebno je dizajniran za zagrijavanje, kuhanje ili odmrzavanje hrane. Uređaj nije namijenjen za industrijsku, laboratorijsku ili komercijalnu uporabu i u tom slučaju gubite pravo na jamstvo.
- Ne koristite pećnicu ako je prazna. Ako nema hrane ili vode za apsorpciju mikrovalne energije, može doći do oštećenja cijevi magnetrona.
- Djeca smiju koristiti pećnicu samo uz strogi nadzor.
- Ne spremajte uređaj izvan kuće. Ne koristite ovaj proizvod u blizini vode.
- Ne pokušavajte sušiti odjeću ili novine u mikrovalnoj pećnici. Može doći do požara.
- Ne koristite unutrašnjost pećnice kao spremnik. Ne ostavljajte papirnate proizvode, pribor za kuhanje, ili hranu u unutrašnjosti pećnice kada ju ne koristite.



Sigurnost pribora

Većina staklenog, staklo-keramičkog i vatrostalnog kuhinjskog pribora izvrsna je za uporabu u mikrovalnoj pećnici. Premda mikrovalna energija neće zagrijati većinu staklenih i keramičkih predmeta, ovaj pribor može postati vruć zbog prijenosa topline sa hrane na spremnik. Preporučujemo stoga uporabu zaštitnih termo-rukavica pri vadenju posuđa.

Sigurnosne napomene za pripremu hrane pomoću roštilja

1. Staklo prozora može puknuti ako je po njemu prolivena voda za vrijeme korištenja roštilja.
2. Koristite zaštitne termo-rukavice pri punjenju i pražnjenju pećnice. Posude u pećnici mogu postati jako vruće, zato pazite da se ne opečete. Okretni tanjur i rešetka također postaju jako vrući, koristite rukavice i kada njima baratate.
3. Prilikom punjenja ili pražnjenja pećnice ne dodirujte vanjsku ili unutrašnju stranu prozora metalnim predmetima. Unutrašnjost vrata i pećnice postaju jako vrući, pazite prilikom stavljanja hrane.
4. Ne stavljajte okretni tanjur ili posude u hladnu vodu, ne pokušavajte ih brzo ohladiti nakon uporabe.
5. Ne stavljajte predmete na pećnicu. Gornji dio uređaja postaje jako vruć, sve što stavite na njega moglo bi se oštetiti.

Za vrijeme kuhanja uobičajeno je da se oko vrata stvara para, ili da se vrata zamagle, ili čak da se ispod vrata pojave kapljice vode. To je tek rezultat kondenzacije od topline hrane i ne utiče na sigurnost pećnice. Vrata nisu namijenjena potpunom brtvljenju pećnice.

- Ne okrećite rukom okretni tanjur. To može dovesti do kvara.
- Iskrenje u pećnici za vrijeme korištenja mikrovalova najčešće je posljedica korištenja metalnog pribora. Kontinuirano iskrenje, može oštetiti uređaj. Zaustavite program i provjerite pribor.
- Pazite da ne začepite bilo koji od otvora za provetranje smještenih na gornjoj, stražnjoj, bočnoj i donjoj stranici pećnice.



Ne koristite ovu pećnicu u komercijalne svrhe. Ova pećnica načinjena je samo za korištenje u domaćinstvima.

Provjera prikladnosti posuđa

- Postavite posudu u mikrovalnu pećnicu zajedno sa čašom napunjenom do polovice vodom. Zagrijavajte je na 800 W (100%) jednu minutu. Ako je nakon toga posuda vruća, ne bi je trebali koristiti. Ako je lagano zagrijana, možete je koristiti za pripravljanje aila i za kuhanje. Ako je posuda sobne temperature, prikladna je za mikrovalno kuhanje.
- Papirnati ubrusi, voštani papir, papirnati ručnici, tanjuri, čaše, omoti za zamrzivač i kartoni su pribor velike prikladnosti. Uvijek budite sigurni da je spremnik napunjen hranom koja će apsorbirati energiju i ukloniti mogućnost pregrijavanja.
- Razno plastično posuđe, čaše, spremnici za zamrzivač i plastični omoti mogu se koristiti u mikrovalnoj pećnici. Slijedite upute proizvođača kada koristite plastiku u pećnici. Izbjegavajte korištenje plastičnog pribora s hranom koja sadrži visoki postotak masnoća ili šećera, ta hrana postiže visoke temperature i može rastopiti neke plastike.
- Metalni pribor i pribor s metalnim ukrasima ne bi trebali koristiti u mikrovalnoj pećnici, osim ako nije posebno preporučeno za uporabu u mikrovalnoj pećnici.
- Spremnici sa malim otvorima, kao što su boce, ne bi trebali biti korišteni za mikrovalno kuhanje.
- Budite oprezni pri skidanju poklopca ili pokrivača posuda kako bi izbjegli opekline parom.

UPOZORENJE:

Ne ostavljajte pećnicu bez nadzora, pogledajte je s vremena na vrijeme kada podgrijavate ili kuhate hranu u plastičnim, papirnatim ili ostalim zapaljivim spremnicima. Ako ste zapazili dim, zadržite vrata zatvorenima, isključite pećnicu ili izvucite mrežni utikač dok dim ne nestane.

Sigurnost namirnica

- Ne zagrijavajte hranu u konzervama u mikrovalnoj pećnici. Uvijek prebacite hranu u prikladan spremnik.
- Prženje u ulju ("fritiranje") ne možete vršiti u mikrovalnoj pećnici, jer se temperatura masti ne može kontrolirati što može dovesti do opasnih situacija.
- Kockice možete pripremati u mikrovalnoj pećnici, ali samo u posebnim pakiranjima ili priboru dizajniranom posebno za ovu namjenu. Ova operacija kuhanja se nikada ne bi trebala izvoditi bez nadzora.
- Namirnice s neporoznom kožicom ili ljuškom probušite kako bi izbjegli stvaranje pare i rasprskavanje. Jabuke, krumpiri, pileća jetra i žumanjci su primjer namirnica koje treba probušiti.

UPOZORENJE: Kada zagrijavate tekućine, kao što su npr. juhe, umaci i napitci u vašoj mikrovalnoj pećnici, može se dogoditi pregrijavanje tekućine iznad točke vrenja bez vidljivih mjehurića. To može rezultirati iznenadnim ključanjem vruće tekućine. Kako bi spriječili ovu mogućnost učinite sljedeće:

1. Izbjegavajte korištenje spremnika s pravilnim stranicama i uskim grlima.
 2. Ne pregrijavajte tekućinu.
 3. Promiješajte tekućinu prije stavljanja spremnika u pećnicu i ponovite to na pola puta kroz vrijeme zagrijavanja.
 4. Nakon zagrijavanja, ostavite spremnik u pećnici kratko vrijeme, promiješajte ponovno prije pažljivog uklanjanja spremnika.
- Neki proizvodi kao što su cijela jaja i zabrtvljeni spremnici - kao što su npr. zatvorene staklenke - mogu eksplodirati i ne smiju se zagrijavati u ovoj pećnici. Povremeno, jaja mogu eksplodirati i za vrijeme dok se peku. Zato uvijek probušite žumanjak, zatim pokrijte i pustite da odstoji jednu minutu prije skidanja pokrivača.

NAPOMENA:

- Ne okrećite rukom okretni tanjur. To može dovesti do kvara.
- Iskrenje u pećnici za vrijeme korištenja mikrovalova najčešće je posljedica korištenja metalnog pribora. Kontinuirano iskrenje, može oštetiti uređaj. Zaustavite program i provjerite pribor.
- Pazite da ne začepite bilo koji od otvora za provjetranje smještenih na gornjoj, stražnjoj, bočnoj i donjoj stranici pećnice.

Ne koristite ovu pećnicu u komercijalne svrhe. Ova pećnica načinjena je samo za korištenje u domaćinstvima.

Čuvajte ove upute.

Vodič kroz pribor i opremu pećnice

Razni pribor i materijali mogu se koristiti za kuhanje u vašoj mikrovalnoj pećnici. Za vašu sigurnost, kako bi spriječili oštećenja pribora i vaše pećnice, odaberite odgovarajući pribor i materijale za svaku vrstu kuhanja.

Tabela ispod teksta je općeniti vodič.

Materijal	Pribor	Način korištenja		
		Mikrovalovi	Roštilj	Kombinacija
Keramika i staklo	Jednostavno posuđe	DA	DA	DA
	Vatrostalno stakleno posuđe	DA*1	DA	DA*1
	Stakleno posuđe s metalnim ukrasima	NE	NE	NE
	Olovo-kristal staklo	NE	NE	NE
Porculan	Bez metalnih ukrasa	DA	DA	NE
Lončarski proizvodi*2		DA	DA	DA
Plastika	Posuđe za mikrovalnu pećnicu otporno na toplinu	DA	NE	NE
	Plastični omot	DA	NE	NE
Metal	Posuđe za pečenje	NE	DA	NE
	Aluminijska folija*3	DA	DA	DA
Papir	Čaše, tanjuri, ručnici	DA	NE	NE
	Voštani papir	DA	NE	NE
		NE	NE	NE
Drvo		NE	NE	NE
	Rešetka roštilja	NE	DA	DA
	Okretni tanjur	DA	DA	DA
Oprema	Podupirač okretnog tanjura	DA	DA	DA

DA: Pribor i oprema za uporabu NE: Pribor i oprema koju treba izbjegavati

*1: Samo ako nema metalnih ukrasa.

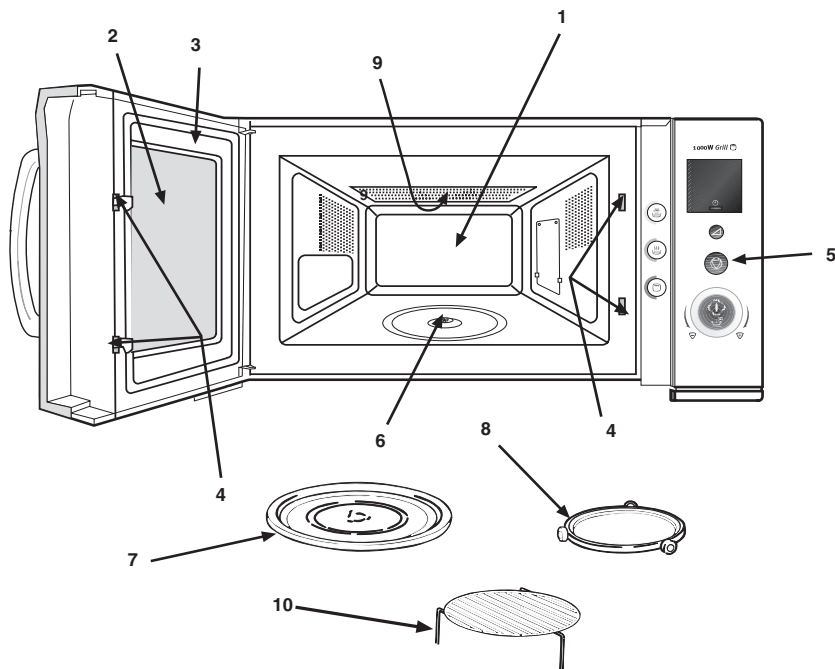
*2: Samo ako nema glazuru koja sadrži metale.

*3: Aluminijsku foliju koristite samo kao zaštitu, pretjerano korištenje može uzrokovati iskretnje.

Uklanjanje ambalaže

Kada otpakirate pećnicu, provjerite da li je proizvod bez oštećenja. Eventualna oštećenja, ili ako nedostaje neki dio, odmah morate javiti isporučitelju. Pećnica, dijelovi pećnice ili oprema mogu biti omotani zaštitnom folijom. Ako je to tako, morate ukloniti foliju prije korištenja pećnice. Ne ostavljajte uklonjeni materijal za pakiranje na dohvatu maloj djeci. To može biti vrlo opasna igra.

Kako se koristi vaša mikrovalna pećnica



Naziv i funkcija dijelova

1. Odjeljak za kuhanje. Obrisite odjeljak nakon uporabe.
2. Prozor. Hranu možete kontrolirati za vrijeme rada mikrovalne pećnice.
3. Vrata pećnice. Za vrijeme pripreme hrane vrata moraju uvijek biti dobro zatvorena.
4. Kuke zasuna i sigurnosni sistem zabavljanja.
5. Upravljačka ploča.
6. Pogonska osovina okretnog tanjura.
7. Okretni tanjur.
8. Podupirač okretnog tanjura.
9. Roštilj.
10. Rešetka roštija, koristi se za većinu kuhanja i pečenja/roštijanja.

Postavljanje okretnog tanjura

1. Postavite podupirač okretnog tanjura na dno unutrašnjosti pećnice.
2. Postavite okretni tanjur na vrh podupirača okretnog tanjura kao što je prikazano na slici. Provjerite da li je središte okretnog tanjura sigurno uglavljeno u pogonsku osovina okretnog tanjura. **Nikada ne postavljajte okretni tanjur naopako.**
 - Za vrijeme kuhanja obavezno morate koristiti i okretni tanjur i podupirač okretnog tanjura.
 - Sva hrana i spremnici hrane moraju se uvijek postaviti na ovaj tanjur za vrijeme kuhanja.
 - Ovaj tanjur se vrti u smjeru kazaljki na satu i u smjeru suprotnom od kazaljki na satu; to je normalno.

Okretni tanjur

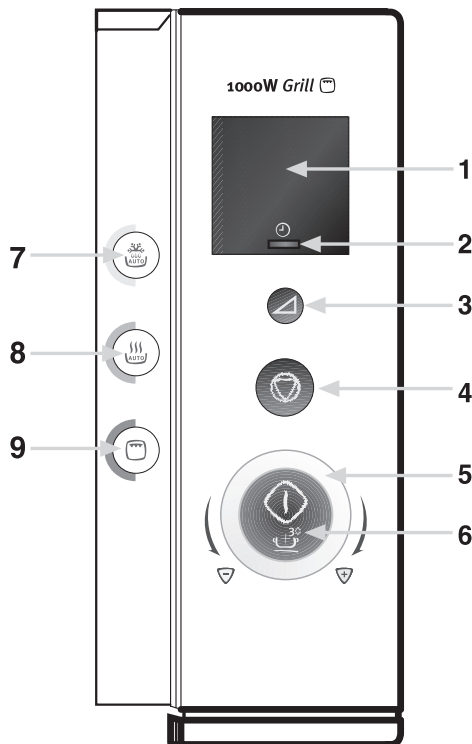


Podupirač s valjčićima



Pogonska osovina okretnog tanjura

Upravljačka ploča



1. **Pokazivač**
Prikazuje vrijeme kuhanja, razinu snage i točno vrijeme.
2. **Sat**
Za podešavanje točnog vremena.
3. **Snaga**
Za podešavanje željene razine snage mikrolava.
4. **Zaustavljanje/Poništavanje**
Za zaustavljanje i pauziranje mikrovalne pećnice.
5. **Okretna kontrola**
Koristi se za podešavanje željenog vremena kuhanja.
6. **Brzi start**
Za započinjanje rada mikrovalne pećnice.
7. **Automatsko odleđivanje**
Koristi se za podešavanje željenog načina odleđivanja.
8. **Automatsko podgrijavanje**
Koristi se za podešavanje željenog načina podgrijavanja.
9. **Roštilj**
Koristi se za podešavanje željenog načina roštiljanja ili kombinacije roštiljanja/mikrolava.

Podešavanje sata

Pri prvom paljenju mikrovalne pećnice ili po dolasku struje nakon prekida, pokazivač trepti i prikazuje "---".

Primjer: Podešavanje 4.30

1. Pritisnite tipku sata
2. Pomoću okretne kontrole podesite vrijeme na "4:00"
3. Pritisnite tipku sata
4. Pomoću okretne kontrole podesite vrijeme na "4:30"
5. Pritisnite tipku sata (Točno vrijeme sad će biti podešeno)

Napomena: Moguće je prikazati točno vrijeme čak i nakon početka podešavanja rada, pritiskom na tipku sata (točno vrijeme biti će prikazano 2 sekunde).

Zabavljenje za zaštitu djece

Ova pećnica ima sigurnosnu zaštitu koja sprječava slučajno uključivanje pećnice od strane djece. Nakon što je zabavljenje podešeno, niti jedan dio mikrovalne pećnice neće raditi sve dok sigurnosna zaštita nije poništena.

Podešavanje:

1. Pritisnite istovremeno tipke "**Zaustavljanje/Poništavanje**" i "**Sat**". Na pokazivaču će se prikazati "L".

Za poništavanje zabavljenja za zaštitu djece, jednostavno istovremeno pritisnite tipke "**Zaustavljanje/Poništavanje**" i "**Sat**".

Zaustavljanje pećnice

Postoje dva načina za zaustavljanje pećnice tijekom rada.

1. Pritisnite tipku Zaustavljanje/Poništavanje
 - Pećnicu možete ponovo pokrenuti pritiskom na tipku Start
 - Ponovnim pritiskom na tipku Zaustavljanje/Poništavanje poništiti ćete trenutni program.
2. Otvorite vrata
 - Pećnicu možete ponovo pokrenuti zatvaranjem vrata i pritiskom na tipku Start.
 - Ponovnim pritiskom na tipku Zaustavljanje/Poništavanje poništiti ćete trenutni program.

Isključivanje zvučnog signala

Ova pećnica ima mogućnost koja vam dopušta isključivanje zvučnog signala. Kad to podesite isključit ćete svučni signal koji se javlja prilikom pritiskanja tipki, to će također onesposobiti zvučni signal koji se javlja na kraju programa.

Podešavanje:

1. Pritisnite istovremeno tipke **“Zaustavljanje/Poništavanje”** i **“Start”**. Na pokazivaču će se prikazati **“OFF”**.

 Za poništavanje, jednostavno istovremeno pritisnite tipke **“Zaustavljanje/Poništavanje”** i **“Start”**.

Brz start

Pritiskom na tipku **“Start”** omogućeno vam je uključivanje pećnice sa punom snagom (900 W) na 30 sekundi.

Svakim pritiskom na tipku **“Start”** povećat ćete vrijeme kuhanja za 30 sekundi.

Vodič za podešavanje snage mikrovalova

Podešena snaga	Preporuka za korištenje
100W	Održavanje topline: Održava hranu toplom
180W	Otapanje zamrznute hrane.
300W	Ključanje: Dovršenje ciklusa kuhanja nekih pečenki. Složenici i paprikaš. Zapečena krema od jaja i kolač od sira.
450W	Srednje: Brže odleđivanje i podgrijavanje složenaca i paprikaša. Pečenje kolača.
600W	Podgrijavanje: Podgrijavanje već spravljene hrane. Pečenje većih komada mesa i peradi.
800W	Maksimalna snaga: Ključanje ili podgrijavanje tekućina. Kuhanje povrća.

Kuhanje s mikrovalovima

1. Otvorite vrata, smjestite hranu na okretni tanjur. Zatvorite vrata.
2. Pritisnite tipku "Snaga" sve dok ne postignete željenu razinu snage.
3. Namjestite željeno vrijeme okretanjem okretne kontrole.
4. Pritisnite tipku "Start".

Ako želite isključiti pećnicu tijekom kuhanja, jednostavno pritisnite tipku Zaustavljanje/Poništavanje.

Napomena: Nakon uporabe, provjerite da ste pritisnuli tipku Zaustavljanje/Poništavanje dva puta, jer ćete tako biti sigurni da je mikrovalna pećnica isključena.

Pećnica započne s kuhanjem.

Primjer: Kuhanje na 450 W u trajanju 15 minuta

1. Pritisnite tipku "Snaga" tri puta ("450" treba biti prikazano na pokazivaču).
2. Okrenite okretnu kontrolu ("15:00" treba biti prikazano na pokazivaču).
3. Pritisnite "Start". Pećnica će započeti kuhati.

Kuhanje sa roštiljem

1. Otvorite vrata, smjestite hranu na rešetku roštilja. Zatvorite vrata.
2. Pritisnite tipku "roštilj" dva puta.
3. Namjestite željeno vrijeme okretanjem okretne kontrole.
4. Pritisnite tipku "Start".

Ako želite isključiti pećnicu tijekom kuhanja, jednostavno pritisnite tipku Zaustavljanje/Poništavanje.

Napomena: Nakon uporabe, provjerite da ste pritisnuli tipku Zaustavljanje/Poništavanje dva puta, jer ćete tako biti sigurni da je mikrovalna pećnica isključena.

Pećnica započne s kuhanjem.

Primjer: Kuhanje korištenjem roštilja u trajanju 15 minuta

1. Pritisnite tipku "Roštilj" jedamput.
2. Okrenite okretnu kontrolu ("15:00" treba biti prikazano na pokazivaču).
3. Pritisnite "Start". Pećnica će započeti kuhati.

Prije uporabe potrebno je zagrijati roštilj. Za zagrijavanje roštilja, podesite roštilj kako je gore opisano u trajanju 3-4 minute.

Kombinirano kuhanje sa mikrovalovima i roštijem

1. Otvorite vrata, smjestite hranu na rešetku roštilja.
2. Pritisnite tipku "roštij" dva puta.
3. Namjestite željeno vrijeme okretanjem okretne kontrole.
4. Zatvorite vrata i pritisnite tipku "Start".

Ako želite isključiti pećnicu tijekom kuhanja, jednostavno pritisnite tipku Zaustavljanje/Poništavanje.

Napomena: Nakon uporabe, provjerite da ste pritisnuli tipku Zaustavljanje/Poništavanje dva puta, jer ćete tako biti sigurni da je mikrovalna pećnica isključena.

Pećnica započne s kuhanjem.

Primjer: Kuhanje na 240 W i korištenje roštilja u trajanju 15 minuta

1. Otvorite vrata.
 2. Pritisnite tipku "Roštij" dva puta.
 3. Okrenite okretnu kontrolu ("15:00" treba biti prikazano na pokazivaču).
 4. Zatvorite vrata i potom pritisnite tipku "Start". Pećnica će započeti s radom.
-

Priilikom kombiniranog kuhanja korištenjem mikrovalova i roštilja nije potrebno predhodno zagrijavanje roštilja.

Automatsko odležavanje

1. Otvorite vrata, smjestite hranu na okretni tanjur.
2. Pritisnite tipku "Automatsko odležavanje" sve dok željeni program nije postignut.
3. Okrenite okretnu kontrolu sve dok željena količina nije postignuta.
4. Zatvorite vrata.
5. Pritisnite tipku "Start". (Pečnica započne s odležavanjem.)

NAPOMENA: Za detaljnije informacije pogledajte donju tablicu.

Ako želite isključiti pečnicu tijekom kuhanja, jednostavno pritisnite tipku Zaustavljanje/Poništavanje.

Napomena: Nakon uporabe, provjerite da ste pritisnuli tipku Zaustavljanje/Poništavanje dva puta, jer ćete tako biti sigurni da je mikrovalna pečnica isključena.

NAPOMENA: Tijekom automatskog odležavanja pečnica će automatski odabrati potrebnu snagu mikrovalova i vrijeme kuhanja. Pečnica će se zaustaviti i/ili će se oglasiti zvučni signal tijekom odležavanja kako bi se omogućilo da promiješate ili okrenete hranu. Pritisnite tipku "Start" kako bi se nastavilo odležavanje.

Tablica odabira za funkcije automatskog odležavanja:

Automatski program	Pritisnite tipku	Veličina	Napomena
Meso	jedamput	200 – 2000 g	Pečnica će se zaustaviti i/ili će se oglasiti zvučni signal tijekom odležavanja kako bi se omogućilo da promiješate ili okrenete hranu. Pritisnite tipku "Start" kako bi se nastavilo odležavanje.
Perad	dvaput	200 – 2000 g	Pečnica će se zaustaviti i/ili će se oglasiti zvučni signal tijekom odležavanja kako bi se omogućilo da promiješate ili okrenete hranu. Pritisnite tipku "Start" kako bi se nastavilo odležavanje.
Riba	tri puta	200 – 2000 g	Pečnica će se zaustaviti i/ili će se oglasiti zvučni signal tijekom odležavanja kako bi se omogućilo da promiješate ili okrenete hranu. Pritisnite tipku "Start" kako bi se nastavilo odležavanje.
Kruh / kolač	četiri puta	125 – 1000 g	
		za 125 g	Okrenite nakon 10 zvučnih signala, na 30 sekundi
		za 250 g	Okrenite nakon 10 zvučnih signala, na 60 sekundi
		za 375 g	Okrenite nakon 10 zvučnih signala, na 90 sekundi
		za 500 g	Okrenite nakon 10 zvučnih signala, na 120 sekundi
		za 625 g	Okrenite nakon 10 zvučnih signala, na 150 sekundi
		za 750 g	Okrenite nakon 10 zvučnih signala, na 180 sekundi
		za 875 g	Okrenite nakon 10 zvučnih signala, na 210 sekundi
		za 1000 g	Okrenite nakon 10 zvučnih signala, na 240 sekundi

Napomena: tijekom odležavanja kruha/kolača, pečnica će se samo zaustaviti nakon što se ogласi 10 zvučnih signala ako se otvore vrata. Promiješajte ili okrenite hranu i pritisnite tipku "Start" kako bi se nastavilo odležavanje.

Primjer: Automatsko odleđivanje 500 g ribe

1. Otvorite vrata.
2. Pritisnite tipku "Automatsko odleđivanje" tri puta.
3. Okrenite okretnu kontrolu sve dok se na pokazivaču ne prikaže 500.
4. Zatvorite vrata i pritisnite "Start". Pečnica će započeti s odleđivanjem.

Za detaljnije detalje pogledajte tablicu Programi automatskog odleđivanja.

Kao alternativa automatskom odleđivanju, hranu možete i ručno odleđivati, koristeći snagu mikrovalova 180W. Za ubrzanje odleđivanja guste hrane preko 450 g, pečnicu možete uključiti na 800W (100%) snage na 1 – 3 minute, potom ju trebate smanjiti na 180W sve dok odleđivanje nije dovršeno.

Automatsko podgrijavanje

Ovu pećnicu možete koristiti za automatsko podgrijavanje hladnih gotovih obroka, svježeg povrća, komada piletine i zamrznutih peciva.

1. Otvorite vrata, smjestite hranu na okretni tanjur.
2. Pritisnite tipku "Automatsko podgrijavanje" sve dok željeni program nije postignut.
3. Okrenite okretnu kontrolu sve dok željena količina nije postignuta.
4. Zatvorite vrata.
5. Pritisnite tipku "Start".

NAPOMENA: Za detaljnije informacije pogledajte donju tablicu.

Ako želite isključiti pećnicu tijekom kuhanja, jednostavno pritisnite tipku Zaustavljanje/Poništavanje.

Napomena: Nakon uporabe, provjerite da ste pritisnuli tipku Zaustavljanje/Poništavanje dva puta, jer ćete tako biti sigurni da je mikrovalna pećnica isključena.

Pećnica započne s kuhanjem.

NAPOMENA: Tijekom automatskog podgrijavanja pećnica će automatski odabrati potrebnu snagu mikrovalova i vrijeme kuhanja.

Tablica odabira za funkcije automatskog podgrijavanja:

Automatski program	Pritisnite tipku	Veličina
Hladni gotovi obroci	jedamput	300 – 350 g
		400 – 450 g
		500 – 550 g
Svježe povrće	dvaput	200 – 250 g
		300 – 350 g
		400 – 450 g
		500 – 550 g
		600 – 650 g
		700 – 750 g
Komadi piletine	tri puta	200 – 300 g (1 komad)
		400 – 500 g (2 komada)
		600 – 700 g (3 komada)
		800 – 900 g (4 komada)
Zamrznuta peciva	četiri puta	100 – 150 g (2 komada)
		200 – 250 g (4 komada)
		300 – 350 g (6 komada)

Primjer: Automatsko podgrijavanje 500 g svježeg povrća

1. Otvorite vrata.
 2. Pritisnite tipku "Automatsko podgrijavanje" dvaput.
 3. Okrenite okretnu kontrolu sve dok se na pokazivaču ne prikaže 500 - 550.
 4. Zatvorite vrata i pritisnite "Start". Pećnica će započeti s podgrijavanjem.
-

Za podrobnije detalje pogledajte tablicu Programi automatskog podgrijavanja.

Tablice

Preporuke za kuhanje s roštijem

Sva hrana treba biti smještena na gornju rešetku sa postavljenim nemetalnim tanjurom ispod u koji će se skupljati prolivena hrana i sokovi od pečenja. Time ćete smanjiti čišćenje. Svu hranu okrenite na pola vremena pripreme.

Hrana	Količina (težina)	Vrijeme kuhanja	Posebne napomene
Tost	2 kriške	4 – 5 min	
Tost sa sirom	4 kriške	6 – 7 min	4 – 5 min za tost, 2 minute za sir

Općenite preporuke za kuhanje s mikrovalovima i roštijem

Donju rešetku za pečenje na okretnom tanjuru koristite za pečenje govedine i svinjetine, zaštitite tanke dijelove i rubove.

Stavite nemetalni tanjur na okretni tanjur, ispod donje rešetke za skupljanje prolivene hrane i soka od pečenja. Hranu okrenite, kako je primjereno, za vrijeme kuhanja.

Hrana	Količina (težina)	Položaj kontrole snage	Vrijeme pripreme	Posebne napomene
Slanina	4 (100 g)	Mikrovalovi 240W + roštij	7 – 9 min	
Pečena govedina (s kosti)	900 g	Samo mikrovalovi 240W	25 min	Namažite uljem. Začinite solju i paprom. Neka stoji 15 – 20 min nakon kuhanja.
Pečena svinjetina (bubrežnjak)	900 g	Mikrovalovi 240W + roštij	5 – 6 min	
Svinjski odresci	2 – 3 (450 g)	Mikrovalovi 240W + roštij	20 – 25 min	Namažite uljem. Začinite solju, paprom i paprikom.
Pile, polovljeno po duljini, bataci	450 g	Samo mikrovalovi 600W	15 – 20 min	Namažite uljem. Začinite solju, paprom i paprikom.
	800 g	Mikrovalovi 240W + roštij	25 – 30 min	
Zamrznuti hamburger	4 (200 g)	Mikrovalovi 240W + roštij	12 – 15 min	
Kobasice	Samo 450 g	Mikrovalovi 240W + roštij	10 – 15 min	
Ribljí odrezak	2 (350 g)	Mikrovalovi 240W + roštij	22 – 24 min	Namažite uljem. Začinite solju i paprom.
Zamrznuti krumpir, umak od sjeckanog mesa	2 (150 g)	Mikrovalovi 240W + roštij	16 – 18 min	

Preporuke za ručno odleđivanje

Neka hrana kao što su kruh i voće može se uspješno ručno odmrznuti koristeći ovu snagu (180W).

HRANA	PRIPREMA	Vrijeme odleđivanja	VRIJEME STAJANJA
Kruh			
Mali kruh	Postavite ga na rešetku otpornu na mikrovalove ili na kuhinjski papir. Okrenite na polovici vremena odmrzavanja.	8–10 min.	10–15 min.
Narezan veliki kruh	Postavite ga na rešetku otpornu na mikrovalove ili na kuhinjski papir. Okrenite na polovici vremena odmrzavanja.	10–13 min.	10 min
2 kriške	Postavite na kuhinjski papir.	45–60 sek.	5 min.
1 kruh	Postavite na kuhinjski papir.	45–60 sek.	5 min.
2 kruha	Postavite na kuhinjski papir.	1–1½ min.	5 min.
Keksi i kolači			
Gateau 450g	Izvadite iz omota, stavite na tanjur.	9–11 min.	15–30 min.
Kolač od sira 450g	Izvadite iz omota, stavite na tanjur.	9–11 min.	15–30 min.
Pita (spravljena) 450g	Izvadite iz omota, stavite na tanjur.	7–9 min.	15–30 min.
Kolači 450g	Izvadite iz omota, stavite na tanjur.	7–9 min.	15–30 min.
Maslac			
250g (1 paket)	Ako je omotan folijom, uklonite ju i postavite ga na tanjur.	3–4 min.	5–10 min.
Voće			
225g Voće s mekim bobicama	Postaviti u jednom sloju u plitku posudu.	5–6 min.	5–10 min.
450g Voće s mekim bobicama	Postaviti u jednom sloju u plitku posudu.	7–8 min.	5–10 min.
Obrok			
400g	Pokriti tanjurom ili prijanjajućom folijom bez PVC-a. Za podgrijavanje, mikrovalovi na 100% (800 W) u trajanju 3-4 minute.	7–8 min	5–10 min.
Povrće			
	Odmrzavanje povrća prije kuhanja nije nužno. Svo povrće može se odmrzavati i kuhati na 100% (800 W).		

Savjeti za odleđivanje

- Ako niste sigurni bolje je podesiti kraće vrijeme odleđivanja. Hrana će se nastaviti odleđivati tijekom vremena stajanja.
- Odvajite hranu čim prije.
- Okrenite veće komade kao npr. zglobove na polovici vremena odleđivanja.
- Uklonite svu odleđenu hranu čim prije.
- Uklonite ili otvorite omote prije odleđivanja.
- Smjestite hranu u veće posude od onih u kojoj je zamrznuta, na taj način biti će olakšano mješanje.
- Započnite odleđivanje peradi, prsima prema dolje i okrenite na polovici vremena odleđivanja ili u stanci. Osjetljiva područja kao što su vršci krila mogu se zaštititi komadićima folije.

Vrijeme stajanja je važno, posebno za velike komade i gustu hranu koja ne može biti promiješana kako bi se osiguralo da je središnji dio u potpunosti odleđen prije kuhanja.

Tablica programa automatskog podgrijavanja

Automatski program	Pritisnite tipku	Vrijeme stajanja	Preporuke
Hladni gotovi obroci	Jedamput	3 minute	Stavite obrok na keramički tanjur i pokrijte folijom za mikrovalnu pećnicu. Ovaj program je prikladan za obroke koji sadrže 3 sastojka (npr. meso sa umakom, povrće i prilozi kao krumpir, riža ili tjestenina)
Svježe povrće	Dvaput	3 minute	Izvažite povrće nakon pranja, čišćenja i sjeckanja na manje komade. Stavite ga u stakleni vrč sa poklopcem. Dodajte 45 ml (3 žlice) vode kad kuhate 200 – 450 g, dodajte 60 ml (4 žlice) za 500 – 650 g i 75 ml (5 žlica) za 700 – 750 g. Promiješajte nakon kuhanja. (Kad kuhate veće količine, promiješajte jedamput tijekom kuhanja).
Komadi piletine	Tri put	3 minute	Namažite komade piletine uljem i začinama, potom paprom, solju i paprikom. Stavite ih na gornju rešetku kožom prema dolje. Okrenite kad se pećnica oglasi.
Smrznuta peciva	Četiri puta	2 minute	Stavite zamrznuta peciva naopake u krug na metalnu rešetku. Okrenite čim se pećnica oglasi.

Tablica programa automatskog odleđivanja

Vrsta	Vrijeme stajanja	Preporuke
Meso	20 – 60 minuta	Zaštite rubove aluminijском folijom. Kad se oglasi pećnica, okrenite meso. Ovaj program je prikladan za govedinu, janjetinu, svinjetinu, odreske, mljeveno meso.
Perad	20 – 60 minuta	Zaštite batak i vrhove krila aluminijском folijom. Kad se oglasi pećnica, okrenite perad. Ovaj program je prikladan za cijelo pile kao i za komade pileline.
Riba	20 – 50 minuta	Zaštite rep aluminijском folijom. Kad se oglasi pećnica, okrenite ribu. Ovaj program je prikladan za cijelu ribu kao i za riblje filete.
Kruh / kolač	5 – 30 minuta	Stavite kruh na komad kuhinjskog papira i okrenite, čim se pećnica oglasi. Stavite kolač na keramički tanjur i ako je moguće, okrenite, čim se pećnica oglasi. (Pećnica nastavlja raditi i zaustavlja se kad otvorite vrata). Ovaj program je prikladan za sve vrste kruha, narezan na kriške ili cijeli, kao i za peciva. Peciva posložite u krug. Ovaj program je prikladan za kolače s kvascem, biskvite, kolače od sira i lisnata tijesta. Nije prikladan za hrskava peciva, kolače od voća i s kremom kao ni za kolače sa čokoladnim preljevom.

Natuknice o mikrovalnoj pećnici

- Pećnicu uvijek držite čistom – izbjegavajte proljevanje namirnica i ne zaboravite počistiti ispod staklene pločice i unutrašnju stranu vrata.
- Po mogućnosti koristite okruglo ili ovalno posuđe s poklopcem kada kuhate u svojoj mikrovalnoj pećnici.
- Ne koristite metalno posuđe ili posuđe s metalnim dekoracijama. Određeni plastični materijali se mogu rastopiti i iskriviti od vruće hrane.
- Pokrijte hranu kada kuhate. Koristite staklene poklopce, tanjure ili papir otporan na masoću.
- Kolači, kruh i slično mogu se odmrzavati direktno u košari za kruh ili na papirnatom ručniku.
- Ako se smrznuta hrana zagrijava u svom omotu, potrebno ga je otvoriti. Omote koji sadrže metal ili metalne dekoracije ne smijete koristiti osim ako nisu preporučeni za uporabu u mikrovalnoj pećnici. Uklonite metalne kopče i žičane vezice.
- Sitne komadiće aluminijske folije možete koristiti za pokrivanje dijelova koji se lako prekuhaju kao što su pileći bataci.
- Hranu sa ljuskama ili kožom trebate probušiti vilicom - npr. krumpiri i kobasice. Ne kuhajte jaja u mikrovalnoj pećnici jer mogu eksplodirati.
- Velike, debele komade postavite blizu ruba posude i pokušajte narezati hranu na nekoliko jednakih komada. Hranu uvijek postavite u sredinu pećnice.
- Hrana će biti ujednačeno kuhana ako je promiješate ili okrenete nekoliko puta.
- Uvijek podesite kraće vrijeme kuhanja nego što je dano u vašem receptu kako bi izbjegli da se hrana prekuha. Veća količina hrane zahtijeva duže vrijeme.
- Koristite malo ili ništa vode za povrće.
- Koristite manje soli i začina nego za "normalno" kuhanje.
- Začine dodajte na kraju.
- Dopustite nekoliko minuta "stajanja" nakon što se pećnica isključila, kako bi osigurali potpune i ujednačene rezultate kuhanja.
- Uvijek servirajte vruću hranu.
- Koristite držače posuda ili rukavice kada vadite posude i hranu iz pećnice.

Savjeti o mikrovalnoj pećnici

- **Omekšavanje meda**
Ako imate teglu kristaliziranog meda, otklopite ju i stavite u pećnicu, uključite mikrovalove srednje snage na 2 minute.
- **Otapanje čokolade**
Izlomite 100 g čokolade na četvrtaste komade, stavite ih u posudu i zagrijavajte na velikoj snazi 1-2 minute. Dobro miješajte.
- **Omekšavanje ili otapanje maslaca**
Na velikoj snazi za otapanje je potrebno nekoliko sekundi. Maslac ćete najbolje omeškati nježnije, na niskoj snazi.
- **Osvježavanje ili zagrijavanje kruha**
Nekoliko sekundi koristite srednju snagu.
- **Lagano guljenje češnjaka**
Zagrijte 3 do 4 čena češnjaka na jakoj snazi 15 sekundi. Stisnite s jedne strane, dok čenovi ne ispadnu.
- **Voćni sok**
Agrumi će dati više soka ako ih prije cijedenja 15 sekundi zagrijete na jakoj snazi.
- **Kuhanje kaše**
Kašu ćete lako skuhati u tanjurima/posudu za posluživanje, bez ljepljivih posuda za pranje. Držite se uputa proizvođača hrane.

Održavanje i čišćenje

Pećnica uvijek mora biti čista. Ostaci prolivene hrane ili prskanja će privlačiti energiju mikrovalova što će dovesti do zaganjanja. To može smanjiti efikasnost pećnice i stvoriti loš miris. Ne dirajte i ne pokušavajte izmijeniti ili popraviti bilo koji dio pećnice. Popravak mora obaviti stručna i ovlaštena osoba.

Provjerite da li je pećnica isključena i mrežni utikač izvučen iz utičnice prije čišćenja.

Čišćenje opreme (okretni tanjur i podupirač)

Očistite ih blagim sredstvom za čišćenje nakon vađenja iz unutrašnjosti pećnice. Pažljivo rukujte s podupiračem.

PAŽNJA: Unutrašnjost pećnice i okretni tanjur postaju vrlo vrući, pa ih nemojte dodirivati odmah po uporabi.

Čišćenje unutrašnjosti

Uvijek držite unutrašnjost pećnice čistom. Odmah počistite pećnicu ako dođe do prolijevanja ili prskanja hrane. Ostaci na stjenkama pećnice, brtvi vrata i površini vrata apsorbirat će energiju mikrovalova, smanjiti efikasnost pećnice i mogu dovesti do oštećenja unutrašnjosti pećnice. Za uklanjanje ostataka koristite blaga, tekuća sredstva za čišćenje, toplu vodu i meku čistu krpu.

NIKADA NE KORISTITE ABRAZIVNA SREDSTVA ZA ČIŠĆENJE, SREDSTVA ZA ČIŠĆENJE KLASIČNIH PEĆNICA ILI JASTUČICE OD ČELIČNE VUNE ZA ČIŠĆENJE BILO KOJEG DIJELA MIKROVALNE PEĆNICE.

Za omeškavanje težih mrlja, zagrijte čašu vode u mikrovalnoj pećnici u trajanju 2-3 minute.

NIKADA NE KORISTITE NOŽ ILI KAKAV DRUGI ALAT ZA UKLANJANJE MRLJA S POVRŠINE PEĆNICE.

Za uklanjanje mirisa iz unutrašnjosti pećnice, zagrijte čašu vode sa dvije žlice limunovog soka u trajanju od 5 minuta.

Čišćenje vanjskog dijela pećnice

Otvorite vrata pećnice kada čistite upravljačku ploču. Na taj način ne može doći do slučajnog neželjenog uključivanja pećnice. Vanjsku površinu pećnice čistite blagim tekućim sredstvom za čišćenje i vodom, nakon čega obrišite čistom vodom ostatke deterdženta. Osušite mekom krpom.

Sredstva za čišćenje prozora u spreju ili višenamjenska kuhinjska sredstva za čišćenje u spreju mogu se isto tako koristiti. Nikada ne koristite abrazivna sredstva za čišćenje, žičane jastučice za ribanje ili jake kemikalije na vanjskim površinama vaše pećnice. Kako bi se izbjegla oštećenja radnih dijelova, ne dopustite ulijevanje vode u ventilacione otvore.

Čišćenje roštilja

Element može biti poprskan masnoćom ili uljem tijekom rada pećnice. Pričekajte da se unutrašnjost pećnice ohladi i obrišite poprskane dijelove prije sljedeće uporabe pećnice. Zamrznjen roštilj može uzrokovati stvaranje neugodnih mirisa i dim.

Motor okretnog tanjura je zabrtvljen. Ipak, pazite da voda ne prodrije ispod vretena okretnog tanjura pri čišćenju donjeg dijela pećnice.

Kako bi čišćenje unutrašnjosti pećnice bilo lakše, gornji grijači element može biti spušten nježnim povlačenjem elementa roštilja prema dolje. Prije nego što to učinite pazite da element nije vruć.

Servis i nadomjesni dijelovi

Ako mikrovalna pećnica ne radi, molimo da provjerite sljedeće prije nego pozovete ovlašteni servis.

Ako mikrovalna pećnica ne započinje s radom:

- Provjerite da je aparat pravilno spojen.
- Provjerite da je utikač pravilno uključen u utičnicu.
- Ako je potrebno, zamijenite osigurač u kabelu, sa novim istovjetnim po snazi.
- Provjerite da u utičnici ima napona tako da uključite neki drugi uređaj.
- Provjerite ispravnost osigurača u domaćinstvu.

Ako mikrovalovi ne rade:

- Možda je namještena sigurnosna zaštita za djecu.
- Provjerite da su kontrole pravilno podešene.
- Provjerite podešenje/postupak koristeći uputu za uporabu.
- Provjerite da su vrata pravilno zatvorena. (Ako su dijelovi hrane ili nešto drugo ostali zaglavljivi u otvoru vrata, vrata se neće pravilno zatvoriti i mikrovalna pećnica neće raditi).
- Provjerite da je pritisnuta tipka "Start".

Ako nakon ovih provjera mikrovalna pećnica i dalje ne radi pravilno, stupite u kontakt sa najbližim ovlaštenim servisnim centrom.

VAŽNO: Ako pozovete serviseru radi jedne od ovdje navedenih smetnji ili zbog pogrešnog rukovanja ili postavljanja mikrovalne pećnice, dolazak neće biti besplatan čak i unutar jamstvenog roka.

Servisne usluge i nadomjesne dijelove nude ovlašteni Electrolux servisi.

Kada naručujete servisnu uslugu ili dijelove, molimo vas da pripremite točan naziv i model mikrovalne pećnice. Te podatke ćete naći na natpisnoj pločici.

Zapišite ih tako da su vam uvijek pri ruci kada ih trebate.

Model: EMS 2040

Serijski broj:

Datum kupnje:

Napomena: Pospremite vaše upute i jamčevni list.

Obsah

Dříve než začnete mikrovlnnou troubu používat	4
Technické údaje	4
Bezpečnostní pokyny	5
- Bezpečnost nádobí	5
- Bezpečnostní pokyny při použití grilu.....	5
- Zkoušení vhodnosti kuchyňského nádobí.....	6
- Bezpečnost potravin	6
- Návod na použití nádobí a příslušenství trouby.....	7
- Vybalení.....	7
Jak provozovat vaši mikrovlnnou troubu	8
- Popis a funkce jednotlivých dílů	8
- Instalace otočného talíře	8
- Ovládací panel	9
- Nastavování hodin	10
- Nastavování dětské pojistky	10
- Zastavování trouby za provozu.....	10
- Vypínání zvukové signalizace.....	11
- Rychlý start.....	11
- Průvodce nastavování výkonu mikrovlnné trouby	11
- Příprava pokrmů v mikrovlnné troubě	12
- Příprava pokrmů na grilu.....	12
- Příprava pokrmů mikrovlnným ohřevem s grilem (kombinace)	13
- Automatické rozmrazování.....	14
- Automatický ohřev	15
Tabulky	16
- Doporučení pro použití grilu.....	16
- Doporučení pro použití mikrovlnného ohřevu s grilem.....	16
- Návod na manuální rozmrazování	17
- Tabulka automatického ohřevu.....	18
- Tabulka automatického rozmrazování	19
Rady pro použití mikrovlnné trouby	20
Péče a čištění trouby	21
- Čištění příslušenství (otočný talíř a vozík)	21
- Čištění interiéru	21
- Čištění grilu	21
- Čištění exteriéru.....	21
Záruční podmínky	22
Servis a náhradní díly	23
Záruka, servis a náhradní díly	24

Blahopřejeme vám k nákupu vaší nové mikrovlnné trouby

Děkujeme vám, že jste si vybrali produkt firmy Electrolux. Jsme přesvědčeni, že shledáte tuto novou mikrovlnnou troubu užitečnou a že vám bude výtečným pomocníkem. Bude to vyžadovat nějaký čas se naučit všechny funkce a možnosti vašeho nového kuchyňského pomocníka, stejně, jako jste na to zvyklí u každého nového kuchyňského spotřebiče.

Dříve než začnete mikrovlnnou troubu používat

Přečtěte si pečlivě celý návod k obsluze a ujistěte se, že při používání vaší nové mikrovlnné trouby Electrolux postupujete podle něj a dosáhli tak co nejlepšího výsledků.

Je důležité, aby tato příručka byla uchovávána pro následující použití spolu se spotřebičem. V případě prodeje trouby jinému vlastníkovi nebo kdyby jste se někdy stěhovali, vždy se prosím ujistěte, že tato příručka je v blízkosti spotřebiče i na novém místě a aby se i její nový vlastník mohl seznámit s jejím obsahem.

Technické údaje

Celkové rozměry

Hmotnost: 13.5 kg

šířka 484 mm

Objem: 20 litrů

hloubka 376 mm

výška 275 mm

Napájení 230V, 50Hz

Rozměry vnitřního prostoru

Jištění 10 A

Šířka 323 mm

Příkon 2300 W

hloubka 296 mm

výška 218 mm

Výkon mikrovlnné části 800W

Výkon grilu 1000W

Bezpečnostní pokyny

- Vestavěné spínače bezpečnostního blokování zabraňují provozování mikrovlnné trouby, když jsou dvířka spotřebiče otevřena.
- Nemanipulujte s nimi a ani se nepokoušejte provozovat troubu s otevřenými dvířky. Provoz s otevřenými dvířky může mít za následek vystavení se záření mikrovlnné energie.
- Nedovolte, aby se na povrchu těsnění dveří nashromáždily zbytky pokrmů nebo čistících prostředků. Viz část Péče a čištění, kde jsou pokyny pro údržbu uvedeny.
- Nedovolte používat poškozenou troubu do doby než je opravena kvalifikovaným servisním technikem.
- Je obzvláště důležité, aby se dvířka trouby dobře zavírala a nedošlo k poškození: (1) dvířek (pokroucení), (2) závěsů a zámků (poškození nebo nesopolehlivost) (3) těsnění dveří nebo povrchu vlastního těsnění.
- V žádném případě se nepokoušejte troubu opravít svépomocí. Pokusy o opravu nezkušenými osobami mohou vést ke zranění osob nebo k vážnému poškození trouby. Vždy kontaktujte váš místní autorizovaný servis.
- Nikdy nesnímejte vnější kryt, dvířka nebo ovládací panel. Takové jednání vás může vystavit nebezpečí dotyku vysokého napětí.
- Instalujte resp. umístěte tuto troubu pouze v souladu s pokyny pro instalaci, uvedenými v této příručce.
- Tento spotřebič používejte pouze k účelům ke kterým je určen a jak je popsáno v této příručce. V mikrovlnné troubě nepoužívejte přípravky způsobující korozi. Tento typ trouby je speciálně určen pro ohřev, vaření a rozmrazování potravin. Není určen pro průmyslové, laboratorní nebo komerční použití. Každé takové použití by mělo za následek ztrátu záruky na tento spotřebič.
- Nepoužívejte troubu prázdnou. Jestliže není v troubě potravina nebo voda, která absorbuje vyzářované mikrovlnné záření, může se poškodit mikrovlnný zářič (magnetron).
- V případě, že trouba je používána dětmi, je nutné zajistit dohled dospělých.
- Neskladujte spotřebič ve venkovním prostředí. Nepoužívejte ho v blízkosti vody.
- Nepokoušejte se sušit v troubě prádlo nebo papír. Tyto materiály se mohou vznítit.
- Nepoužívejte vnitřní prostor trouby pro skladování. Nenechávejte výrobky z papíru, kuchyňské potřeby nebo potraviny v troubě, když ji nepoužíváte.

Bezpečnost nádobí

Většina výrobků ze skla, sklokeramiky a žáruvzdorného skla je pro použití v mikrovlnné troubě velice vhodná. Přestože mikrovlnná energie tyto výrobky neohřívá, mohou se ohřát přenosem tepla od v nich ohřátých potravin. Používejte proto pro vyjímání nádob rukavice, určené pro troubu.

Bezpečnostní pokyny při použití grilu

1. Průhledové sklo dveří se může rozbít, jestliže během grilování na něj vystříkne voda.
2. Při vkládání a vyndávání potravin z trouby používejte vždy rukavice. Nádobí se při grilování ohřívá na vysokou teplotu a mohlo by dojít k vašemu popálení. Pro manipulaci s

otočným talířem či vozíkem používejte také rukavice, neboť se také ohřívají na vysokou teplotu.

3. Nikdy se nedotýkejte kovovými částmi průhledového okna dveří, a to jak z vnitřní tak i z vnější strany při vkládání nebo vyjímání pokrmů z trouby. Vnitřní strany dveří a trouby jsou ohřívány na vysokou teplotu, proto dbejte zvýšené pozornosti při manipulaci s grilovanou potravinou v troubě.
4. Nikdy nevkládejte rozpálený otočný talíř nebo nádobí do studené vody a nesnažte se je prudce ochlazovat.
5. Nedávejte žádné předměty na vršek trouby. Při grilování se povrch ohřeje na vysokou teplotu a položené předměty by se mohly teplem zničit.

Je zcela normální, že kolem dvířek trouby za provozu uniká pára nebo že dochází k zamražení dvířek nebo dokonce k tvorbě vodních kapek pod dvířky. jedná se pouze o kondenzaci vody, která je teplem vypuzená z potravin a nijak tím neovlivňuje funkčnost a bezpečnost vaší mikrovlnné trouby. Dvířka nemají za účel hermeticky troubu uzavírat.

- Nepokoušejte se silou otáčet otočným talířem uvnitř trouby. Můžete tím způsobit její vážné poškození.
- Jestliže při mikrovlnném ohřevu použijete kovové nádoby, tak bude uvnitř trouby vznikat jiskření. Zatavte probíhající ohřev a zkontrolujte nádoby. Budete-li pokračovat v přípravě pokrmu během jiskření, můžete troubu vážně poškodit.
- Věnujte zvláštní pozornost tomu, aby jste v žádném případě neblokovali větrací otvory umístěné nahoře, vzadu, dole a po stranách trouby.

Nepoužívejte tuto mikrovlnnou troubu pro komerční účely, jelikož byla vyrobena pouze pro použití v domácnostech.

Zkoušení vhodnosti kuchyňského nádobí

- Umístěte nádobí do mikrovlnné trouby spolu se sklenicí do poloviny naplněnou vodou. Ohřívejte ji po dobu 1 minuty při výkonu 900W (100%). Jestliže se vám nádobí zdá horké, neměli byste je pro přípravu pokrmů v mikrovlnné troubě používat. Jestliže se vám zdá vlažné, můžete je používat pro opětovný ohřev, ale ne pro vaření. Má-li pokojovou teplotu, je vhodné pro použití v mikrovlnné troubě.
- Velice vhodné pro použití jsou papírové ubrousky, voskový papír, papírové utěrky, kelímky, krabičky, tácky a kartóny zmrazených potravin. Vždy se přesvědčete, zda jsou plné potravin, aby mohly absorbovat energii a nedocházelo tak k přehřívání.
- Také mnoho typů plastových talířů, tácků, šálků a krabic, spolu s plastovými obaly zmrazených potravin lze v mikrovlnné troubě používat. Vždy dbejte návodu výrobce, budete-li plast používat v troubě. Nepoužívejte plastikové nádobí pro potraviny s vysokým obsahem tuku nebo cukru. Tento typ potravin se ohřeje na vysokou teplotu a plastové obaly by se mohly začít deformovat nebo tavit.
- Kovové nádobí nebo nádobí s kovovými díly a ozdobami nesmí být v mikrovlnné troubě používáno, není-li výslovně určeno pro toto použití.
- Obaly nebo zásobníky s pevnými uzávěry (např. lahve) nesmějí být v troubě používány pro vaření mikrovlnným ohřevem.
- Buďte opatrní při snímání vík či poklopu nádob po tepelné přípravě pokrmu či nápoje, náhle uniklá pára by mohla způsobit opaření.

Upozornění: **Nikdy nenechávejte troubu bez dozoru, když v ní ohříváte nebo vaříte pokrmy uložené v papírových, plastových nebo jiných hořlavých materiálech. Když zpozorujete kouř unikající z trouby, tak ji neotvírejte, ale troubu vypněte a počkejte do doby než tvorba kouře ustane.**

Bezpečnost potravin

- Nikdy neohřívejte v troubě potraviny v plechovkách. Vždy přendejte potraviny do vhodné nádoby.
- Mikrovlnná trouba není vhodná pro smažení na tuku, protože nelze dobře kontrolovat teplotu oleje a tím by mohlo docházet k nebezpečným situacím.
- Popcorn lze připravovat pouze v nádobí k tomu určenému nebo v originálním balení, které je výslovně určeno pro mikrovlnný ohřev. Přípravu popcornu mějte vždy pod dohledem.
- Potraviny s pevnou slupkou, kůží nebo pod membránou propíchejte, aby jste tak zabránili roztržení způsobeným nahromaděnou párou pod povrchem. Jablka, brambory, kuřečí játra a vaječné žloutky jsou typické příklady potravin, které musí být propíchané.

Upozornění: Ohříváte-li v troubě kapaliny, jako např. polévky, omáčky a nápoje které se mohou ohřát nad teplotu varu bez typického projevu varu (bubláním). Jedná se o tzv. utajený var a ten se projevuje okamžitým prudkým varem. Aby jste zabránili tomuto efektu, postupujte dle tohoto návodu:

1. Nepoužívejte nádoby s ostrými vnitřními hranami a úzkými hrdly.
2. Pokrmy nepřehřívejte.
3. Zamíchejte kapalinu v nádobě, před jejím vložením do trouby. Opětovně ji zamíchejte v polovině doby plánované doby ohřevu.
4. Po ohřátí ponechte nádobu s kapalinou chvíli v troubě "odpočinout", poté ji před opatrným vyjmutím z trouby opět zamíchejte.

- Některé potraviny, jako například celá vejce ve skořápce nebo uzavřené zavařovací sklenice mohou v troubě explodovat, proto je nikdy v troubě neohřívejte. Někdy i ztracená vejce (vajččka bez skořápky) mohou v troubě během přípravy explodovat. Proto vždy propíchněte žloutek, přiklopte víko a po přípravě jej nechejte ještě 1 minutu přiklopené.

Poznámka:

- Nepokoušejte se silou otáčet otočným talířem uvnitř trouby. Můžete tím způsobit její vážné poškození.
- Jestliže při mikrovlnném ohřevu použijete kovové nádobí, tak se bude uvnitř trouby obvykle jiskřit. Zastavte probíhající ohřev a zkontrolujte nádobí. Budete-li pokračovat v přípravě pokrmu během jiskření, můžete troubu vážně poškodit.
- Dbejte, aby nedocházelo k ucpaní ventilačních otvorů, umístěných na horní, spodní, zadní a obou bočních stranách trouby.

Nepoužívejte tuto troubu pro komerční účely.

Tato mikrovlnná trouba je vyrobena a určena pouze pro použití v domácnostech.

Dodržujte tento návod k použití.

Návod na použití nádobí a příslušenství trouby

Ve vaší mikrovlnné troubě může být používána poměrně široká škála druhů nádobí vyrobených z různých materiálů. Abyste zabránili jak poškození použitých pomůcek a nádobí, tak i vlastní trouby, používejte pouze ty druhy, které jsou pro konkrétní způsob přípravy doporučené. Seznam v tabulce byl připraven pro vaši orientaci.

Materiál	Nádobí	Vybraný ohřev		
		Mikrovlnný ohřev	Grilování	Mikrovlnný ohřev a grilování
Keramika a sklo	tvrzené sklo	ANO	ANO	ANO
	žárovzdorné sklo	ANO*1	ANO	ANO*1
	sklo s kovovým dekorem	NE	NE	NE
	olovnatý křišťál	NE	NE	NE
Porcelán	bez kovového dekoru	ANO	ANO	NE
Pálená hlína*2		ANO	ANO	ANO
Plasty	teplovzdorné pro mikrovlnné trouby	ANO	NE	NE
	plastové obaly	ANO	NE	NE
Kovy	pečicí pánve	NE	ANO	NE
	hliníkové fólie*3	ANO	ANO	ANO
Papír	šálky, talířky, ubrusky	ANO	NE	NE
	voskový papír	ANO	NE	NE
Dřevo		NE	NE	NE
Příslušenství	grilovací rošt	NE	ANO	ANO
	otočný talíř	ANO	ANO	ANO
	vozik talíře	ANO	ANO	ANO

ANO: Nádobí a příslušenství vhodné pro použití NE: Nádobí a příslušenství nevhodné pro použití

*1 Pouze bez kovových součástek

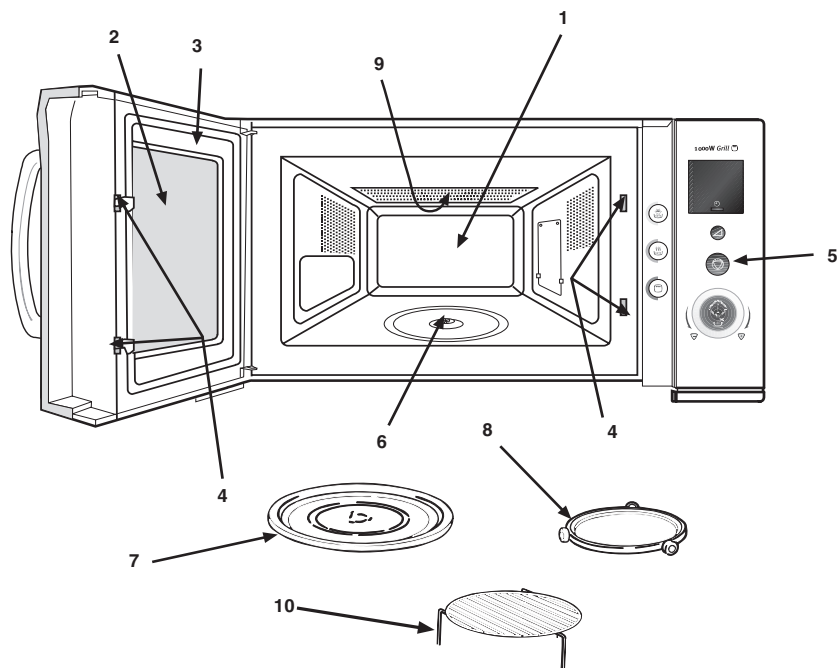
*2 Pouze v případě, kdy glazura neobsahuje kovy

*3 Poznámka: Hliníkovou fólii používejte pouze za účelem stínění mikrovlnného záření, nadbytečné množství může způsobit vznik elektrického oblouku

Vybalení

Poznámka: Když troubu vybalíte, zkontrolujte, že není poškozená. Zjištěné vady nebo chybějící díly je třeba co nejdříve nahlásit vašemu prodejci. Trouba, součásti trouby a příslušenství mohou být zabaleny do ochranné fólie. Je-li tomu tak, je nutné ji před použitím trouby odstranit. Neponechávejte obalové materiály volně dostupné malým dětem, aby si s nimi mohli hrát. Mohlo by to být velice nebezpečné.

Jak provozovat vaši mikrovlnnou troubu



Popis a funkce jednotlivých dílů

1. Vlastní prostor trouby. Po použití tento prostor dobře vyčistěte.
2. Prohlížecké okénko, pomocí něhož je možné kontrolovat přípravu pokrmu.
3. Dvířka trouby, které při provozu trouby musí být vždy pevně uzavřeny.
4. Západky zámku a bezpečnostní blokovací systém.
5. Ovládací panel.
6. Hnací hřídel otočného talíře.
7. Otočný talíř.
8. Vozík otočného talíře.
9. Gril.
10. Grilovací rošt, používaný při většině grilování, pečení a vaření.

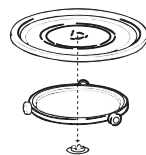
Instalace otočného talíře

1. Vložte vozík otočného talíře na dno vnitřního prostoru.
2. Položte otočný talíř navrch vozíku jak je naznačeno na obrázku. Ujistěte se, že středový výstupek bezpečně zapadne do hnací hřídele. **Nikdy nesmíte položit otočný talíř obráceně.**
 - Otočný talíř s vozíkem musí být vždy použitý během užívání trouby
 - Veškeré potraviny a nádoby s potravinami musí být vždy položeny na tomto otočném talíři
 - Otočný talíř se otáčí jak ve směru tak i proti směru hodinových ručiček a je to normální funkce tohoto zařízení.

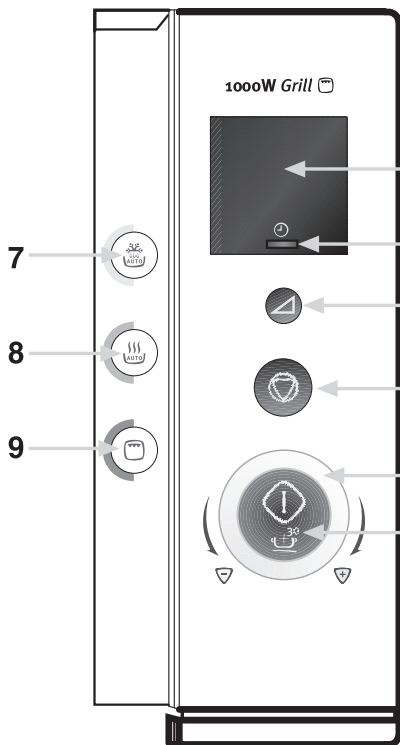
Otočný talíř

Vozík

Hnací hřídel



Ovládací panel



1. Displej

Na displeji se dle použité funkce budou ukazovat následující údaje: doba tepelné přípravy, úroveň energie a hodiny.

2. Hodiny

Tlačítkem se nastavuje aktuální čas.

3. Energie

Tlačítkem se nastavuje požadovaná úroveň energie.

4. Zastavení/Přerušení

Tlačítkem se buď přerušuje nebo zastavuje chod trouby.

5. Otočný ovládač

Otočným ovládačem se volí požadovaná doba tepelné přípravy.

6. Rychlý start

Tlačítkem se uvádí trouba do chodu.

7. Automatické rozmrazování

Tlačítkem se nastavuje požadovaná rozmrazovací funkce.

8. Automatický ohřev

Tlačítkem se nastavuje požadovaná ohřívací funkce.

9. Gril

Tlačítko se používá k nastavení grilu nebo kombinace grilu a mikrovlnného ohřevu.

Nastavování hodin

Jestliže vaši mikrovlnnou troubu poprvé zapnete do elektrické sítě nebo dojde k výpadku elektrické energie, tak na displeji bude blikat symbol "----"

Příklad: Nastavení 4:30

1. Stiskněte tlačítko Hodiny
2. Nastavte hodnotu "4:00" pomocí otočného ovládače
3. Stiskněte tlačítko Hodiny
4. Nastavte hodnotu "4:30" pomocí otočného ovládače.
5. Stiskněte tlačítko Hodiny. (Zvolený čas je tak nastaven)

Poznámka: Během provozu trouby je možné stlačením tlačítka Hodiny zviditelnit na displeji po dobu 2 sekund aktuální čas.

Nastavování dětské pojistky

Tento spotřebič je vybaven bezpečnostním zařízením, které zamezí náhodné spuštění při manipulaci dětmi. Po nastavení této pojistky nelze ovládat žádnou funkci trouby až do doby než se pojistka opět odblokuje.

Nastavení:

1. Stiskněte současně tlačítka "**Zastavení/Přerušení**" a "**Hodiny**". Na displeji se objeví symbol "L".
Funkci opět zrušíte současným stisknutím tlačítek "**Zastavení/Přerušení**" a "**Hodiny**".

Zastavování trouby v provozu

Troubu během provozu lze zastavit dvěma způsoby:

1. Přerušení/Mazání"
 - Troubu můžete opět zapnout stisknutím tlačítka "Start"
 - Opětovným stisknutím tlačítka "Zastavení/Přerušení" opětovně spustíte nastavený program.
2. Otevřením dvířek trouby
 - Troubu můžete opětovně zapnout po zavření dvířek pomocí tlačítka "Start".
 - Opětovným stisknutím tlačítka "Zastavení/Přerušení" zrušíte nastavený program.

Vypínání zvukové signalizace

Tato trouba je vybavena funkcí, která umožňuje vypnout zvukovou signalizaci. Vyřazením této signalizace se nebude ozývat žádný signál při stisknutí tlačítka nebo na konci jednotlivých programů.

Nastavení:

1. Stiskněte současně tlačítka "**Zastavení/Přerušení**" a "**Start**". Na displeji se objeví nápis "**OFF**".
Funkci opět jednoduše zrušíte současným stisknutím tlačítek "**Zastavení/Přerušení**" a "**Start**".

Rychlý start

Stisknutím tlačítka "**Start**" spustíte maximální mikrovlnný výkon 900W po dobu 30 sekund.

Po každém dalším stisknutím tlačítka "**Start**" prodloužíte tento druh ohřevu o 30 sekund.

Průvodce nastavování mikrovlnné trouby

Nastavení výkonu	Doporučené použití
100W	Udržování horkého pokrmu
180W	Roztavení zmrzlých pokrmů
300W	Udržování mírného varu: Dokončování pokrmů - například některé typy pečeně, dušené maso a pokrmy v rendlíku. Svítky a jemné koláče (např. tvarohový)
450W	Střední: rychlejší rozmrznutí hotových pokrmů v rendlíku Pečení dortů a piškotových těst
600W	Opětovné ohřátí: opětovné ohřátí předvařených pokrmů a pokrmů v rendlíku. Pečení kousků masa a drůbeže
800W	Maximální výkon: vaření a ohřívání tekutin. Vaření zeleniny Předehřátí zapékačích mýs

Příprava pokrmů v mikrovlnné troubě

1. Otevřete dveře trouby, vložte pokrm na otočný talíř. Zavřete dveře trouby. Jestliže chcete troubu vypnout, jednoduše stiskněte tlačítko "Zastavení/Přerušení".
2. Stiskněte tlačítko "Energie" a nastavte požadovaný výkon **Poznámka: Abyste po použití trouby zabezpečili zrušení nastaveného programu, stiskněte 2x tlačítko "Zastavení/Přerušení".**
3. Nastavte otočný ovladač na požadovanou hodnotu doby přípravy.
4. Stiskněte tlačítko "Start". **Trouba začíná pracovat.**

Příklad: Vařit při výkonu 450W po dobu 15 minut

1. Stiskněte 3x tlačítko "Energie" a na displeji se objeví symbol "450"
2. Otočte ovladač na hodnotu "15:00". Údaj je viditelný na displeji.
3. Stiskněte tlačítko "Start". Trouba začne nyní pracovat.

Příprava pokrmů na grilu

1. Otevřete dveře trouby, vložte pokrm na grilovací rošt. Zavřete dveře trouby. Jestliže chcete troubu vypnout, jednoduše stiskněte tlačítko "Zastavení/Přerušení".
2. Stiskněte 1x tlačítko "Gril". **Poznámka: Abyste po použití trouby zabezpečili zrušení nastaveného programu, stiskněte 2x tlačítko "Zastavení/Přerušení".**
3. Otočným ovladačem nastavte dobu přípravy na požadovanou hodnotu.
4. Stiskněte tlačítko "Start". **Trouba začíná pracovat.**

Příklad: Grilovat po dobu 15 minut

1. Stiskněte 1x tlačítko "Gril"
2. Otočte ovladač na hodnotu "15:00". Údaj je viditelný na displeji.
3. Stiskněte tlačítko "Start". Trouba začne nyní pracovat.

Před použitím grilu je nutné troubu krátce předehřát. Pomocí předchozího návodu troubu po dobu 3-4 minut předehřejte.

Příprava pokrmů mikrovlnným ohřevem s grilem (kombinace)

1. Otevřete dveře trouby, vložte pokrm na grilovací rošt. Zavřete dveře trouby. Jestliže chcete troubu vypnout, jednoduše stiskněte tlačítko "Zastavení/Přerušení".
2. Stiskněte tlačítko "gril" tolikrát, dokud se nenastaví požadovaný stupeň kombinovaného ohřevu. **Poznámka: Abyste po použití trouby zabezpečili zrušení nastaveného programu, stiskněte 2x tlačítko "Zastavení/Přerušení".**
3. Otočným ovladačem nastavte dobu přípravy na požadovanou hodnotu.
4. Zavřete dvířka a stiskněte tlačítko "Start". **Trouba začíná pracovat.**

Příklad: Grilovat spolu s mikrovlnným ohřevem 450W po dobu 15 minut

1. Otevřete dveře trouby
 2. Stiskněte 3x tlačítko "Gril".
 3. Otočte ovladač na hodnotu "15:00". Údaj je viditelný na displeji.
 4. Stiskněte tlačítko "Start". Trouba začne nyní pracovat.
-

Při použití tohoto programu není nutné troubu předhřívat.

Nastavení kombinovaného ohřevu	Stisknout tlačítko	Výkon grilu	Výkon mikrovlnného ohřevu
Combi 1	2 x	Plný	600 W
Combi 2	3 x	Plný	450 W
Combi 3	4 x	Plný	300 W

Automatické rozmrazování

- Otevřete dvířka a pokrm umístíte na otočný talíř
- Stiskněte tlačítko automatického rozmrazování dokud se nezobrazí požadovaná funkce.
- Otáčejte otočným voličem dokud není nastavené požadované množství pokrmu.
- Zavřete dvířka.
- Stiskněte start (trouba začne rozmrazovat)

POZNÁMKA: Blíží informace v tabulce níže.

Pokud chcete zastavit troubu během přípravy jednoduše stiskněte tlačítko Stop/Clear.

POZNÁMKA: Po použití se ujistěte, že jste stiskli tlačítko Stop/Clear dvakrát, takže je trouba definitivně vypnuta.

POZNÁMKA: Během automatického rozmrazování trouba automaticky zvolí potřebný mikrovlnný výkon a dobu rozmrazování. Trouba se po určité fázi rozmrazování zastaví a/nebo zazní zvukový signál pro možnost promíchání nebo otočení pokrmu. Stiskněte tlačítko Start a rozmrazování bude pokračovat.

Tabulka funkcí Automatického vaření:-

Auto Program	Stisknout Tlačítko	Velikost Porce	Poznámka
Maso	Jednou	200 - 2000g	Trouba se ve fázi rozmrazování zastaví pro možnost promíchání nebo otočení pokrmu. Stiskněte Start pro pokračování.
Drůbež	Dvakrát	200 - 2000g	Trouba se ve fázi rozmrazování zastaví pro možnost promíchání nebo otočení pokrmu. Stiskněte Start pro pokračování.
Ryby	Třikrát	200 - 2000g	Trouba se ve fázi rozmrazování zastaví pro možnost promíchání nebo otočení pokrmu. Stiskněte Start pro pokračování..
Chléb / Koláče	Čtyřikrát	125 - 1000g	
		pro 125g	Otočte po 10 signálech. po 30 sekundách
		pro 250g	Otočte po 10 signálech. po 60 sekundách
		pro 375g	Otočte po 10 signálech. po 90 sekundách
		pro 500g	Otočte po 10 signálech. po 120 sekundách
		pro 625g	Otočte po 10 signálech. po 150 sekundách
		pro 750g	Otočte po 10 signálech. po 180 sekundách
		pro 875g	Otočte po 10 signálech. po 210 sekundách
		pro 1000g	Otočte po 10 signálech. po 240 sekundách

Poznámka: Během rozmrazování chleba/koláčů se trouba zastaví pouze pokud během 10 zvukových signálů otevřete dvířka. Promíchejte nebo otočte pokrm a stiskněte tlačítko Start pro pokračování rozmrazování.

Příklad: Automaticky rozmrazit 500g ryby.

- Otevřete dvířka
- Stiskněte tlačítko Automatického rozmrazování třikrát
- Otáčejte otočným voličem dokud se neobjeví 500 na displeji.
- Zavřete dvířka a stiskněte Start. Trouba začne rozmrazovat.

Pro podrobnější informace nahlédněte do tabulky programů Automatického rozmrazování.

Alternativně můžete místo Automatického rozmrazování rozmazovat manuálně volbou mikrovlnného výkonu na 180W. K urychlení rozmrazování větších kusů nad 450g (1lb) můžete po dobu 1-3 minut rozmrazovat na výkon 800W (100%) a potom výkon snížit na 180W do úplného rozmrazení.

Automatický ohřev

Tato mikrovlnná trouba lze použít pro automatické ohřátí hotového studeného pokrmu, čerstvé zeleniny, kuřecích kousků a zmrzlých rohlíků.

1. Otevřete dvířka trouby a pokrm položte na otočný talíř. Jestliže chcete funkci rozmrazování zrušit, stiskněte tlačítko "Zastavení/ Mazání".
2. Stiskněte tlačítko "Automatický ohřev" tolikrát, dokud se nenastaví požadovaný stupeň automatického ohřevu. **Poznámka: Abyste po použití trouby zabezpečili zrušení nastaveného programu, stiskněte 2x tlačítko "Zastavení/Mazání".**
3. Otočný ovladač nastavte na hmotnost pokrmu.
4. Zavřete dvířka trouby.
5. Stiskněte tlačítko "Start". Trouba začíná ohřívat.

Poznámka: více informací naleznete v tabulce dole.

Poznámka: Během automatického ohřevu trouba sama nastaví požadovaný výkon a čas.

Tabulka automatické funkce ohřevu :-

Automatický program	Stiskněte tlačítko	Velikost porce
Studené hotové pokrmy	1 x	300 – 350 g
		400 – 450 g
		500 – 550 g
Čerstvá zelenina	2 x	200 – 250 g
		300 – 350 g
		400 – 450 g
		500 – 550 g
		600 – 650 g
		700 – 750 g
Kousky kuřete	3 x	200 – 300 g (1 kus)
		400 – 500 g (2 kusy)
		600 – 700 g (3 kusy)
		800 – 900 g (4 kusy)
Zmrzlé rohlíky	4 x	100 – 150 g (2 kusy)
		200 – 250 g (4 kusy)
		300 – 350 g (6 kusů)

Příklad: Automatický ohřev 500g čerstvé zeleniny.

1. Otevřete dvířka trouby.
2. Stiskněte 2x tlačítko "Automatický ohřev".
3. Otočný ovladač nastavte na hodnotu 500-550. údaj je viditelný na displeji.
4. Zavřete dvířka trouby a stiskněte tlačítko "Start". Trouba začíná ohřívat.

Další informace naleznete v tabulkách pro ohřev.

Tabulky

Doporučení pro použití grilu

Všechny grilované pokrmy položené na grilovacím roštu, by měli mít pod sebou dostatečně velkou záchytnou misku na odkapávající šťávy a padající kousky pokrmů. Tím ušetříte na čase údržby.

Potravina	Množství (hmotnost)	Doba přípravy	Poznámka
Toast (topinka)	2 krajíce	4 – 5 minut	
Toast (topinka) se sýrem	4 krajíce	6 - 7 minut	4 – 5 min. topinka, 2 min. sýr

Doporučení pro použití mikrovlnného ohřevu s grilem

Použijte grilovací rošt položený na otočném talíři pro pečení hovězího nebo vepřového masa, ochraňte tenké části a okraje. Položte dostatečně velkou záchytnou misku pod rošt na zachytávání kapajících šťáv a padajících kousků pokrmů. Grilované kusy během přípravy dostatečně obračejte.

Potravina	Množství (hmotnost)	Pozice nastavení výkonu	Doba přípravy	Poznámka
slanina	4 (100g)	Combi 3	7 - 9min	
pečené hovězí s kostí	900g	Mikrovlny 600 W Combi 2	25 min	Potřete olejem. Okořeňte solí a pepřem. Nechejte po tepelné úpravě 15-20 min odležet
pečené vepřové (panenka)	900g		5 - 6 min	
vepřové kotlety	2-3 (450g)	Combi 2	20 - 25 min	Potřete olejem. Okořeňte solí, paprikou a pepřem.
kuře, půlená stehna	450g	Combi 1	15 - 20min	Potřete olejem. Okořeňte solí, paprikou a pepřem.
	800g	Combi 1	25 - 30 min	
zmrzlý hamburger	4 (200g)	Combi 2	12 - 15 min	
párky	450g	Combi 1	10 - 15 min	
rybí steak	2 (350g)	Combi 3	22 - 24 min	Potřete olejem. Okořeňte solí a pepřem.
zmrzlé brambory, sekaná masa	2 (150g)	Combi 2	16 - 18 min	

Návod na ruční rozmrazování

Některé potraviny jako chléb a ovoce mohou být rozmraženy manuálně pomocí tohoto návodu při výkonu 180W.

POTRAVINA	PŘÍPRAVA	Doba rozmrazování	DOBA ODPOČÍNKU PO ROZMRAZENÍ
chléb a pečivo			
malý bochník	Položit na papírový ubrousek nebo na podložku vhodnou do mikrovlnné trouby. Otočit ho v půlce doby rozmrazování	8 - 10 min	10-15 min
nakrájený velký bochník	Položit ho na papírový ubrousek nebo na podložku vhodnou do mikrovlnné trouby. Otočit ho v půlce doby rozmrazování	10-13 min	10 min
2 krajíce	Položit je na papírový ubrousek.	45-60 sec	5 min
1 kus pečiva	Položit ho na papírový ubrousek.	45-60 sec	5 min
2 kusy pečiva	Položit je na papírový ubrousek.	1-1,5 min	5 min
koláče a cukrovinky			
krémový dort 450g	Vybalit z obalu, položit na talíř	9-11 min	15-30 min
jemný koláč 450g	Vybalit z obalu, položit na talíř	9-11 min	15-30 min
plněný koláč 450g	Vybalit z obalu, položit na talíř	7-9 min	15-30 min
máslové pečivo	Vybalit z obalu, položit na talíř	7-9 min	15-30 min
máslo			
250g / 1 balení	Vybalit z obalu a položit na talíř	3-4 min	5-10 min
ovoce			
225g měkké bobuloviny	Položit do jedné vrstvy do mělké misky	5-6 min	5-10 min
450g měkké bobuloviny	Položit do jedné vrstvy do mělké misky	7-8 min	5-10 min
porce pokrmu na talíři (400g)	Zakrýt poklopem nebo fólií (ne z PVC). Ohřát při 100% výkonu mikrovln (800W) po dobu 3-4 min	7-8 min	5-10 min
zelenina			
	Není nutné ji před vařením rozmrazovat. Veškerá zelenina může být rozmrazena a dále zpracovávána při 100% (800W) výkonu trouby		

Tipy pro rozmrazování

- Je lepší pokrm neúplně rozmrazit než obráceně. Pokrm se rozmrazí v době odpočinku po vypnutí ohřevu.
- Jednotlivé díly pokrmů od sebe co nejdříve odděluje.
- Větší kusy, jako například kus masa, v polovině doby rozmrazování otočte.
- Co nejdříve odeberte rozmražené kusy.
- Odstraňte všechny obaly nebo je alespoň v průběhu rozmrazování otevřete.
- Pokrm vložte do větší nádoby než ve které byl zamrazen. pokrm se tak bude lépe míchat.
- Celé kusy drůbeže začněte rozmrazovat v poloze prsy dolů a přibližně v polovině doby rozmrazování je otočte. Citlivé díly (např. konce křídel) zabalte do jemné fólie.

Dobu odpočinku po rozmrazení je velice nutné dodržet a to speciálně u velkých kusů pokrmů, které se nedají míchat. Tím se zajistí dokonalé rozmrznutí i vnitřních částí pokrmu.

Tabulka automatického ohřevu

Automatický program	Stiskněte tlačítko	Doba odpočinku	Doporučení
Studený hotový pokrm	1 x	3 minuty	Pokrm položte na porcelánovou misku a zakryjte ji fólií vhodnou do mikrovlnné trouby. Tento program je vhodný pro potraviny složené ze 3 částí (např. maso s omáčkou, zelenina a příloha jako rýže, brambory, těstoviny).
Čerstvá zelenina	2 x	3 minuty	Po umytí a rozkrájení na přibližně stejné velké kusy zeleninu zvažte. Vložte ji do skleněné nádoby s víkem. Přidejte 45 ml (3 polévkové lžíce) vody na 200-450g zeleniny, přidejte 60 ml (4 polévkové lžíce) vody na 500-650g a přidejte 75 ml (5 polévkových lžic) vody na 700-750g zeleniny. Po uvaření zamíchejte. Větší objem zeleniny míchejte i během vaření.
Kousky kuřete	3 x	3 minuty	Kousky masa potřete solí, pepřem a paprikou okořeněným olejem. Položte je na vyšší rošt kůží vespod. Po zvukovém signálu kousky masa otočte.
Zmrzlé rohlíky	4 x	2 minuty	Vložte zmrzlé rohlíky horní stranou dolů do kruhu na rošt. Po zvukovém signálu je otočte.

Tabulka automatického rozmrazování

Skupina pokrmu	Doba odpočinku	Doporučení
Maso	20 - 60 minut	Okraje masa zakryjte kousky alobalu. Po zvukové signalizaci maso otočte. tento program je vhodný pro hovězí, skopové a vepřové maso. Dále pro kotlety, steaky, řízky a mleté maso.
Drůbež	20 - 60 minut	Konce křídýlek a stehen zakryjte kousky alobalu. Po zvukové signalizaci maso otočte. Tento program je vhodný jak pro celé kusy kuřat, tak i pro jednotlivé porce.
Ryby	20 - 50 minut	Ocas a ploutve ryby zakryjte kousky alobalu. Po zvukové signalizaci rybu otočte. Tento program je vhodný jak pro celé ryby, tak i pro jednotlivé porce.
Chléb / Pečivo	5 - 30 minut	Chléb položte na kousek potravinového papíru a otočte po zaznění zvukového signálu. Je-li to možné, tak kousky pečiva položte na porcelánový talířek a po zaznění zvukového signálu je otočte. Trouba si uchová program v paměti a po otevření dveří se zastaví. Tento program je vhodný pro všechny druhy chleba a to jak v celku tak i nakrájený na krajice. Dále je vhodný pro rohlíky a bagety. Rohlíky rozložte do kruhu. Tento program je dále vhodný pro všechny druhy kynutých těst, bábovek, koláčů a listového těsta. Není vhodný pro ovocné a krémové dorty, pro zákusky s čokoládovou polevou a z křehkého pečiva.

Rady pro použití mikrovlnné trouby

- Vždycky udržujte troubu v čistotě-zamezte přetékání a vytékání tekutin přes okraj nádob. Nezapomeňte vždy vyčistit vnitřek trouby včetně otočného talíře.
- Při přípravě pokrmů v troubě přednostně používejte kulaté nebo oválné misky s pokličkou.
- Nepoužívejte kovové nebo kovem zdobené misky. Některé plastové materiály se mohou od teplých pokrmů tavit nebo deformovat.
- Při přípravě pokrmů zakrývejte. Používejte skleněné pokličky, talíře nebo nepromastitelný papír.
- Pečivo, chléb a podobné potraviny mohou být rozmrazovány přímo v košíku na chléb nebo v papírovém ubrousku.
- Jestliže zmrazené potraviny ohříváte v jejich obalu, měli byste obal otevřít. Obaly obsahující kov nebo kovové ozdoby, které nejsou výslovně doporučeny pro ohřev v mikrovlnné troubě, se nesmí v troubě používat. Odstraňte kovové sponky a úvazky.
- Menší kusylobalu můžete použít na zakrytí částí, které se snadno přehřívají, jako např. kuřecí křídýlka.
- Potraviny se slupkou nebo kůží by se měly před přípravou propíchat vidličkou, jako např. brambory nebo párky ve sítěvku. Nikdy nevařte v mikrovlnné troubě celá vejce, mohla by explodovat.
- Velké, silné kusy dávejte k vnějšímu okraji nádoby a snažte se větší kusy porcovat na stejně velké kousky. Vždy umísťujte nádoby do středu trouby.
- Potraviny se budou rovnoměrněji ohřívát, budete-li je během přípravy promíchávat nebo obracet.
- Vždy nastavte nižší dobu přípravy než je doporučeno, zabráníte tím převaření pokrmu. Čím jsou porce pokrmů větší, tím delší doba bude potřebná pro jejich přípravu.
- Na přípravu zeleniny nepoužívejte žádnou nebo minimální množství vody.
- Používejte menší množství koření a soli než pro "normální" vaření.
- Kofeňte pokrmy až po přípravě v troubě.
- Po přípravě v troubě ponechejte pokrm několik minut "odpočinout", aby byla zajištěna úplná a rovnoměrná tepelná příprava.
- Vždy se ujistěte, že pokrmy před podáváním na stůl jsou řádně tepelně zpracovány.
- Při vyjímání nádobí a pokrmů z trouby používejte buď držáky k tomu určené nebo rukavice pro mikrovlnné trouby.

Máte-li med, který je již ve sklenici zcukernatělý, tak ze sklenice odstraňte víčko a vložte sklenici do trouby. Použijte střední hodnoty mikrovln po dobu 2 minut.

• Tavení čokolády

Nalámejte 100g tabulku čokolády na čtverečky vsypte je do nádoby a zahřívajte při vysokém výkonu po dobu 1-2 minut za dobrého promíchávání.

• Rozpuštění nebo měknutí másla

Rozpuštění zabere několik sekund při vysokém výkonu. Měknutí je lépe provádět při nižším výkonu po delší dobu.

• Ohřátí nebo "oživení" staršího chleba

Použijte střední hodnoty výkonu po dobu několika sekund.

• Jak jednoduše oloupat česnek

Zahřejte 3-4 stroužky česneku při vysokém výkonu po dobu 15 sekund. Stiskněte jeden konec, dokud se neodloupne slupka.

• Příprava ovocného džusu

Citrusové plody vydají více šťávy, jestliže je před vymačkáním po dobu 15 sekund ohřejete při vysokém výkonu.

• Vaření vločkové kaše

Vločkovou kaši jednoduše připravíte bez nepřijemného lepkavého zašpinění. Viz návod výrobce.

Tipy a Triky

- **Změknutí medu**

Péče a čištění trouby

Mikrovlánná trouba musí být vždy čistá. Zbytky přeteklých pokrmů a rozstříknutých zbytků spotřebovávají mikrovlánnou energii a ta může zapříčinit i jejich vznícení. Zároveň se tím snižuje účinnost trouby a dochází ke vzniku nepříjemných pachů. Nepokoušejte se manipulovat s žádným nastavovacím prvkem nebo provádět opravu jakékoliv části trouby svépomocí. Opravy může provádět jen kvalifikovaný pracovník autorizovaného servisu.

Před čištěním se ujistěte, že trouba je odpojena od elektrické sítě.

Čištění příslušenství (otočný talíř a vozík)

Příslušenství vyndejte z trouby a venku je za pomoci jemného mycího prostředku vyčistěte. S vozíkem otočného talíře manipulujte velice opatrně.

Upozornění: **Vnitřek trouby, otočný talíř a vozík talíře se ohřívají na vysokou teplotu, proto se jich bezprostředně po vypnutí trouby nedotýkejte.**

Čištění interiéru

Vždy udržujte vnitřek trouby v čistotě. Vyčistěte všechny skvrny po rozlitéch pokrmech a odstraňte všechny zbytky pokrmů. Neodstraněné zbytky ucpěné na stěnách trouby, těsnění dveří a dveří pohlcují mikrovlánné záření a tím snižují účinnost trouby. Mohou také zapříčinit poškození vnitřku trouby. K čištění použijte jemné tekuté mycí prostředky, horkou vodu a měkký, čistý hadřík.

Nikdy k čištění jakékoliv části mikrovlánné trouby nepoužívejte abrazivní mycí prostředky a ani komerční čističe trub nebo ocelovou drátěnku.

K uvolnění silně ucpěných nečistot nechejte v troubě po dobu 2-3 minuty vařit hrnek s vodou.

Nikdy se nepokoušejte k odstranění nánosů použít nůž nebo jiný kuchyňský nástroj.

Pro odstranění zápachu z vnitřního prostoru trouby nechejte vařit po dobu asi 5 minut hrnek s vodou, do které jste přidali 2 čajové lžičky citrónové šťávy.

Čištění grilu

Po použití grilu mohou být části grilu znečištěné rozstříkaným tukem. Počkejte až se vnitřek trouby ochladí a pak pečlivě vytřete všechny mastné skvrny. Usazená mastnota na topném tělese může při dalším použití grilu způsobovat nepříjemný zápach a tvorbu kouře.

Motor pohonu otočného talíře je utěsněn. Přesto se snažte o to, aby voda nepronikala do otvoru pro náhon při čištění dna trouby.

Abyste mohli troubu dobře vyčistit, je možné horní grilovací těleso sklopit lehkým povytažením z trouby ven. Před manipulací s grilovacím tělesem se přesvědčte, že není horké.

Čištění exteriéru

Před čištěním ovládacího panelu otevřete dvířka trouby. Tím zabráníte tomu, aby nedošlo k nechtěnému zapnutí trouby. Vnější povrch trouby je třeba čistit vodou s neagresivním mycím prostředkem a poté přetřít pouze čistou vodou, aby se odstranil zbylý mycí prostředek. Nakonec troubu vytřete do sucha měkkým suchým hadříkem.

Můžete také použít sprejové čističe oken nebo univerzální kuchyňské čisticí prostředky. Nikdy nepoužívejte na mytí vnějších částí abrazivních mycích prostředků, drátěnek nebo agresivních chemikálií. Aby nedošlo k poškození pracovních částí trouby, nedovolte, aby se do větracích otvorů dostala voda.

Záruční podmínky

Firma Electrolux nabízí tyto záruční podmínky prvnímu zákazníkovi tohoto spotřebiče:

1. Záruka je platná po dobu 24 měsíců, od doby kdy byl spotřebič prodán prvnímu zákazníkovi, což musí být potvrzeno dokladem o nákupu nebo podobným dokumentem. Záruka nepokrývá komerční užití tohoto spotřebiče
2. Záruka je platná na všechny vady vzniklé chybnou výrobou nebo vadou materiálu. Záruka se nevztahuje na vady způsobené nesprávným používáním, hrubým zacházením, špatnou instalací, poškozením z vnějšku jiným objektem, špatnou údržbou, neautorizovanými modifikacemi nebo pokusy o opravu, komerčním používáním nebo nedodržáním pravidel vyjmenovaných v příložené příručce. Záruka se dále nevztahuje na žárovky, vyjímatelné skleněné nebo plastické díly.
3. Prodejce musí neprodleně informovat nejbližším autorizované servisní centrum o požadavku na záruční opravu. Electrolux si vyhrazuje právo určit, kde se oprava provede (např. doma u zákazníka, v místě instalace nebo v servisní dílně)
4. Záruka se vztahuje na bezplatnou výměnu náhradních dílů a na potřebnou práci.
5. Opravy prováděné v době záruky neprodlužují celkovou dobu záruky na spotřebič. Díly vyměněné při opravě se stávají majetkem firmy Electrolux.
6. Práva zákazníka určena zákonem nejsou těmito záručními podmínkami zpochybněna.

Servis a náhradní díly

Jestliže spotřebič nefunguje správně, tak ještě před tím, než budete kontaktovat autorizovaný servis proveďte následující kontroly:

Jestliže se trouba nezapnula:

- Zkontrolujte, zda je trouba správně připojena na elektrickou síť.
- Zkontrolujte, zda je zástrčka správně zasunutá.
- Zkontrolujte zda případný vypínač či jistič vedoucí k troubě je zapnutý.
- Zkontrolujte, zda je zásuvka funkční a to zapojením jiného spotřebiče do používané zásuvky.
- Zkontrolujte stav pojistky v domácím rozvodu.

Jestliže trouba nepracuje:

- Může být aktivovaná dětská pojistka.
- Zkontrolujte, zda jsou voliče správně nastavené
- Zkontrolujte, že veškeré korekce a použité postupy odpovídají tomuto návodu k použití.
- Přesvědčete se, že dveře trouby jsou pevně zavřené. (Jestliže zbytky potravy nebo jiné díly překážají správnému zavření dveří, tak trouba nepůjde zapnout)
- Zkontrolujte, zda je tlačítko "start" vymáčknuté.

Důležité:

Jestliže přivolaný technik zjistí, že porucha je způsobená nesprávnou instalací nebo používáním, tak vám náklady spojené s jeho návštěvou budou účtovány i v případě, že trouba je stále v záruční době.

Servis a náhradní díly

Jestliže bude nutné vaši mikrovlnou troubu opravit nebo budete chtít koupit některý náhradní díl, kontaktujte prosím vaše místní Servisní středisko Electrolux.

Po zavolání do autorizovaného servisu budete dotazován na následující informace:

1. Vaše jméno, adresa a PSČ
2. Vaše telefonní číslo
3. Přesný popis poruchy
4. Číslo a sériové číslo modelu (naleznete je na typovém štítku)
5. Datum nákupu spotřebiče

Jestliže je váš spotřebič stále v záruce, musíte se ujistit, že jste provedli veškeré kontroly (viz nahoře). **V opačném případě vám budou naúčtovány náklady spojené s přivolaným servisním technikem, nebude-li to závada elektrická nebo mechanická. V případě záručních oprav bude nutné zároveň předložit doklad o prodeji spotřebiče.**

Záruka, servis a náhradní díly

Přečtěte si tento návod k obsluze a dodržujte v něm uvedené rady a pokyny. V mnoha případech si budete moci vyjasnit jakékoli pochybnosti sami a tudíž vyhnout se zbytečným voláním do servisu. Předchozí části nazvané "Co dělat, když ..." a "Servis" obsahují doporučení, co by se mělo zkontrolovat dříve, než zavoláte servisního technika.

Jestliže po těchto kontrolách závada stále existuje, zavolejte vaše nejbližší autorizované servisní středisko Electrolux.

Ujistěte se, že můžete sdělit model a seriové číslo spotřebiče. Tyto informace naleznete na datovém štítku přístroje.

Originální náhradní díly lze koupit od autorizovaných středisek servisu Electrolux.

Podmínky záruky

My, výrobce, zaručujeme, že jestliže během 24 měsíců od data zakoupení tohoto spotřebiče Electrolux se tento spotřebič nebo jakákoli jeho část ukážou jako vadné pouze z důvodu vadného zpracování nebo vadného materiálu, provedeme podle našeho uvážení buď opravu nebo výměnu těchto bez placení za práci, materiál nebo přepravu za předpokladu, že:

- spotřebič byl správně instalován a používán pouze na napětí uvedené na štítku jmenovitých hodnot
- spotřebič byl používán pouze pro normální domácí účely a v souladu s pokyny výrobce pro provoz a údržbu
- na spotřebiči neprováděla servis, údržbu ani opravu jiná než námi autorizovaná osoba, která spotřebič nerozebírala ani s ním jinak nemanipulovala
- všechny servisní práce podle této záruky musí provádět servis Electrolux nebo jím autorizované středisko
- každý vyměněný spotřebič nebo vyměněná vadná součást se stanou naším vlastnictvím
- tato záruka platí vedle vašich zákonných nebo jinak právně podložených práv
- rozhodující podmínky záruky jsou uvedeny na záručním listu

Výjimky - tato záruka se nevztahuje na:

- poškození nebo požadavky vzniklé v důsledku přepravy, nesprávného použití nebo nedbalosti, výměny žárovek a snímatelných částí ze skla nebo plastických hmot
- náklady spojené s požadavky na odstranění závad spotřebiče, který je nesprávně instalován
- spotřebiče, které jsou používány v komerčním prostředí včetně pronajímáných
- země Evropského společenství. Lze použít standardní záruku, ale zajištění, že spotřebič splňuje normy platné v příslušné zemi, kam byl spotřebič dopraven, je na zodpovědnosti a na náklady vlastníka. Může být vyžadován doklad o koupi.

Model.....

Číslo výrobku (E/PNC No.).....

Seriové číslo (F/Serial. No.).....

eventuelně KD / ...

V případě technických problémů vám bude i náš značkový servis kdykoliv k dispozici, volejte 2 6112 6112. Adresy:

Servisní středisko Electrolux
 Hanusova ulice
 140 21 Praha 4
 Tel.: 2 6112 6112

Bezpečnost

Přečtěte si tento návod a varovná upozornění na začátku tohoto návodu. Výrobce nezodpovídá za vady způsobené nesprávně používaným výrobkem nebo výrobkem používaným pro jiné účely než jsou účely specifikované v tomto návodu.

Tartalomjegyzék

A mikrohullámú sütő használata előtt	4
Műszaki adatok	4
Biztonsági tudnivalók	5
Edények biztonsága	5
Biztonsági tudnivalók grillel való főzéskor	5
A főzőedények alkalmasságának vizsgálata	6
Az ételek biztonsága	6
Sütőedények és tartozékok	7
Kicsomagolás	7
Hogyan működik a mikrohullámú sütő?	8
Fő részek megnevezése és funkciói	8
Forgótányér behelyezése	8
Kezelőpanel	9
Az óra beállítása	10
Gyermekbiztonsági zár	10
A sütő leállítása	10
A hangjelzés kikapcsolása	11
Gyors kezdés	11
Mikrohullámú teljesítmény táblázat	11
Mikrohullámú főzés	12
Főzés grillel	12
Sütés mikrohullám és grill kombinálásával	13
Automatikus felolvasztás	14
Automatikus felmelegítés	15
Táblázatok	16
Javaslatok grillel való sütéshez	16
Javaslatok mikrohullámmal és grillel való sütéshez	16
Kézi felolvasztási tudnivalók	17
Automatikus felmelegítési programtáblázat	18
Automatikus felolvasztási programtáblázat	19
Mikrózási tanácsok	20
Tisztítás és ápolás	21
Tartozékok tisztítása (forgótányér és támasz)	21
Belső tisztítás	21
Grill tisztítása	21
Külső tisztítás	21
Üzemzavarok - pótalkatrészek	22
Jótállás	22

Gratulálunk az új mikrohullámú sütő megvásárlásához

Köszönjük, hogy Electrolux terméket választott. Meggyőződésünk, hogy nagyon hasznosnak találja majd az új mikrohullámú sütőt, amely nagyszerű segítőtársa lesz. Mint minden konyhai készülék, ez is megköveteli, hogy megismerje a fő részeket és azok funkcióit, mivel a készülék nélkülözhetetlen lesz majd az Ön számára.

A mikrohullámú sütő használata előtt

Mielőtt a készülékét használatba venné, feltétlenül olvassa el ezt a Használati útmutatót. Az Electrolux mikrohullámú sütő használatakor a legjobb eredmény elérése érdekében tartsa be a Használati útmutatóban leírtakat. Figyelmesen olvassa el a tudnivalókat. Ügyeljen arra, hogy a Használati útmutató mindig a rendelkezésére álljon.

Ha a készüléket eladja, vagy elajándékozza, akkor ezt a Használati útmutatót is adja át az új tulajdonosnak, hogy Ő is tisztában legyen a készülék működésével és megismerje a vonatkozó biztonsági útmutatásokat is. A használatba vétel előtt jól ismerje meg a kezelőelemeket, a különböző funkciókat és kövesse az ajánlásokban leírtakat is.

Műszaki adatok

Külső méretek	Szélesség	484 mm
	Mélység	376 mm
	Magasság	275 mm
Sütőtéri méretek	Szélesség	323 mm
	Mélység	296 mm
	Magasság	218 mm
	Úrtartalom	20 liter
Teljesítmény-felvétel	2300 W	
Mikrohullámú teljesítmény	800 W	
Grill teljesítmény	1000 W	
Tömeg	13.5 kg	
Feszültség	230V/50Hz	
Biztosíték igény	10A	
Zajkibocsátás	60 dB(A)	



Ez a készülék megfelel az alábbi irányelveknek:

- 73/23/EWG - 1973.02.19 (kisfeszültségű irányelv a változásokkal bezárólag)
- 89/336/EWG - 1989.05.03. (EMC-irányelv a 92/31/EWG változásokkal bezárólag)

Biztonsági tudnivalók



- A beépített biztonsági kapcsoló megakadályozza, hogy nyitott ajtónál működjön a mikrohullámú sütő.
- Ne próbálja meg "büttykölni" a kapcsolót és ne próbálkozzon a sütő nyitott ajtóval történő működtetésével sem, mert az a mikrohullámú energia veszélyes kijutását eredményezheti.
- Ne hagyja a kifröccsent étel- és tisztítószert maradványokat rárakódni az ajtót tömítő felületekre. Vegye figyelembe a tisztításra vonatkozó fejezet előírásait.
- Különösen fontos, hogy a sütőajtó tökéletesen zárjon, ne legyen sérült, vagy deformálódott (1). A zsanéroknak (2) és a zárszerkezetnek biztonságosnak, az ajtó tömítésének (3) és a tömítő felületeknek kifogástalan állapotban kell lenni.
- Soha ne próbálkozzon saját maga a készülék javításával. A meghibásodott készülék javítását, beleértve a csatlakozó vezeték cseréjét is, csak a jótállási jegyben megjelölt szerviz végezheti. Hiba esetén forduljon a kijelölt szervizhez.
- Soha ne távolítsa el a készülék külső burkolatát, az ajtót, vagy a kezelőpanelt. A nagyfeszültség rendkívül veszélyes.
- A készülék elhelyezésénél vegye figyelembe az „**Elhelyezési tudnivalók**” című fejezet előírásait.
- A készüléket kizárólag az Útmutatóban leírtak figyelembe vételével használja. Ne használjon maró vegyi anyagokat a készülékben. Ezt a típusú sütőt kifejezetten háztartási ételek melegítésére, főzésére és felolvasztására tervezték. Nem alkalmas ipari, laboratóriumi, vagy kereskedelmi használatra, amely rendeltetésellenes használatnak minősül és nem vonatkozik rá a jótállás.
- Ne működtesse a sütőt a forgótányér és ételek behelyezése nélkül. Amennyiben a sütőben nincs étel, vagy víz, amelyek képesek a mikrohullámú energia elnyelésére, akkor károsodhat a magnetron.
- Ha gyerekek tartózkodnak a készülék közelében, akkor az csak felügyelet mellett üzemeltethető.
- Ne tárolja a készüléket a szabadban. Ne használja víz közelében sem.
- Ne próbáljon ruhaneműt, vagy újságpapírt szárítani a mikroban, mert azok meggyulladhatnak.
- Ne használja a sütő teret tárolási célra. Ne hagyjon benne papírtermékeket, főzőedényeket, vagy ételeket, amikor nem használja.

Edények biztonsága

A legtöbb üveg, üvegkerámia- és hőálló üvegedény kiválóan alkalmas a mikrohullámú sütőben történő használatra. Bár a legtöbb üveg- és kerámia edény nem nyeli el a mikrohullámú energiát, ezek az edények mégis nagyon felforrósodhatnak, mivel átveszik a bennük lévő étel hőjét. Ezért a sütőedényeket mindig kesztyűvel megfogva kell kivenni a készülékből.

Biztonsági tudnivalók grillel való főzéskor

1. Az ajtó üveglapla eltörhet, ha grillezősér víz fröccsen a forró felületre.
2. Használjon mindig védőkesztyűt a sütőbe való bepakoláshoz, illetve az edények kivételéhez. Az edények nagyon felforrósodnak, ezért legyen nagyon óvatos. A forgótányér és a fém rács szintén nagyon felforrósodik, ezért azok kivételéhez is használjon kesztyűt.
3. Sem bepakoláskor, sem pedig kipakoláskor ne érintse meg fém eszközzel az ajtó üveglapját sem belülről, sem kívülről. Az ajtó belseje is és a sütő belseje is nagyon forró, ezért legyen óvatos az étel keverésekor.
4. Sem a forgótányért, sem pedig az edényeket ne helyezze forró vízbe és ne próbálja meg azokat gyorsan lehűteni.
5. Ne tegyen semmilyen tárgyat a sütő tetejére. A tető a használat során felforrósodik és a ráhelyezett tárgy károsodhat a hőtől.

Az ajtó körül kiáramló gőz ugyanúgy, mint az ajtó alatt megjelenő vízcseppek a működés természetes velejárói. Ezek a jelenségek az étel hője miatt keletkeznek és nincsenek kihatással a készülék biztonságára. Az ajtó tömítettsége csak a mikrohullámú energia kijutását gátolja meg, a gőzét nem.

- Ne erőltesse kézzel a forgótányér forgását, mert hibás működést eredményezhet.
- Amennyiben a mikró működése közben szikrázás fordul elő, akkor azt fém, vagy fémtartalmú edény okozza. A folyamatos szikrázás károsíthatja a készüléket. Ilyenkor azonnal kapcsolja ki és ellenőrizze az edényt.
- Ha az edény deformálódik, akkor hagyja abba a süstést és válasszon másik edényt.
- Ügyeljen arra, hogy semmi ne zárja el a sütő szellőző nyílásait.



A mikró kizárólag háztartási célra készült. Ne használja kereskedelmi célra.

A főzőedények alkalmasságának vizsgálata

- Helyezze a főzőedényt a mikróba egy fél pohár vízzel együtt. Melegítse egy percig 800 W-os (100%) teljesítményen. Ha a főzőedény felforrósodik, akkor az nem alkalmas mikrózásra. Ha csak éppen meleg, akkor melegítésre használható, de főzésre nem. Ha az edény szobahőmérsékletű maradt, akkor alkalmas a mikróban történő főzésre.
- A papírtálcák, zsírpapírok, papírtörölközők, tányérok, csészék, fagyasztó tálcák és kartonpapírok nagyon kényelmes edények. Mindig töltsé őket tele étellel, hogy elnyeljék az energiát, mert így elkerülheti az edények túlmelegedését.
- Sokfajta műanyag edény, pl. tálca, tányér, doboz, stb. alkalmas a mikrohullámú sütőben történő használatra. Mindig kövesse a gyártó ajánlását. A túl zsíros, vagy magas cukortartalmú ételek esetében azonban kerülje el ezeknek az edényeknek a használatát, mivel a magas hőmérséklet miatt ezek könnyen megolvadhatnak.
- Ne hagyja a sütőt felügyelet nélkül, amikor műanyag, papír, vagy más könnyen éghető edényben melegít, vagy főz. Ha füstöt észlel, kapcsolja ki a készüléket, húzza ki a dugót és hagyja az ajtót zárva, amíg a füst megszűnik.
- Fém- és fémdíszítésű edények nem használhatók a mikróban, kivéve a speciálisan erre a célra tervezett edényeket.
- Szűk nyílású edények (üvegek) nem használhatók a mikrohullámú főzésre.
- Az égési sérülések elkerülése érdekében óvatosan vegye le a fedőt, vagy távolítsa el az edényt.

VIGYÁZAT! Ne hagyja a mikrohullámú sütőt felügyelet nélkül, sőt időről időre ellenőrizze, amikor műanyag edényben, papírban, vagy más éghető anyagú edényben melegíti benne az ételt. Ha füstöt észlel, akkor ne nyissa ki az ajtót, hanem kapcsolja ki a készüléket, vagy válassza le az elektromos hálózatról addig, amíg a füstképződés megszűnik.

Az ételek biztonsága

- Az ételeket mindig alkalmas tárolóedényben melegítse.
- Ne használja a készüléket fritőzésre, mert az olaj/zsír hőfoka nem szabályozható és könnyen meggyulladhat.
- A mikróban csak olyan kukorica pattogatása végezhető, amelyet kifejezetten mikróban történő elkészítésre gyártottak. Ezt a műveletet tilos felügyelet nélkül végezni.
- A nem porózusos, héjas ételek bőrét szurkálja meg, hogy a keletkező gőzök kijuthassanak. Néhány élelmiszermél gondoskodni kell a külső burok kiszűrásáról (alma, burgonya, csirkebőr, tojáshéj), hogy a keletkező gőzöktől az élelmiszer ne "robbanjon" szét.

Vigyázat! Amikor folyadékot melegít, pl. levest, szószt, italt, akkor a forráspont feletti túlfűtés miatt a folyadék kifuthat. Hogy ezt elkerülhesse, tartsa be a következőket:

1. Ne használjon egyenes oldalú, szűk szájú edényt.
 2. Kerülje el a túlfűtést.
 3. Kavarja fel a folyadékot, mielőtt beteszi a készülékbe, majd a melegítés félidejében a kavarást ismétlje meg.
 4. A melegítés után rövid ideig hagyja a folyadékot állni a készülékben, majd keverje meg és óvatosan vegye ki az edényt.
- Néhány élelmiszer, mint pl. egész tojás, valamint néhány edény, pl. zárt lekvárosüveg szétrobbanhatnak a készülékben. Rántotta sütésénél szűrja ki a tojás sárgáját, majd takarja le és hagyja 1 percig állni, mielőtt eltávolítja a fedőt.

FIGYELEM:

- Ne erőltesse a forgótányér forgását kézzel. Meghibásodást okozhat.
- Amennyiben a mikró működése közben szikrázás fordul elő, akkor azt fém, vagy fémtartalmú edény okozza. A folyamatos szikrázás károsíthatja a készüléket. Ilyenkor azonnal kapcsolja ki és ellenőrizze az edényt.
- Ha az edény deformálódik, akkor hagyja abba a sütést és válasszon másik edényt.
- Ügyeljen arra, hogy semmi ne zárja el a sütő szellőző nyílásait.

Sütőedények és tartozékok

A mikrózáshoz számos eszköz és anyag használható. Egy adott főzési / sütési módhoz biztonsági okok miatt mindig a legalkalmasabb eszközöket és anyagokat válassza ki. Vegye figyelembe az alábbi táblázatot.

Anyag	Edény	Mikrohullámú főzés	Grillezés	Mikrohullámú főzés és grillezés
Kerámia és üveg	Főzőedény	IGEN	IGEN	IGEN
	Hőálló üvegáru	IGEN*1	IGEN	IGEN*1
	Üvegáru fémdíszítéssel	NEM	NEM	NEM
	Ólomkristály	NEM	NEM	NEM
Porcelán	Fémdíszítés nélkül	IGEN	IGEN	NEM
Agyagedény*2		IGEN	IGEN	IGEN
Műanyag	Hőálló mikrohullámú sütőbe	IGEN	NEM	NEM
	Műanyag csomagoló anyag	IGEN		
Fém	Fémsütő serpenyő	NEM	IGEN	NEM
	Alumínium fólia*3	IGEN	IGEN	IGEN
Papír	Csésze, tányér, papírtörölköző	IGEN	NEM	NEM
	Zsírpaper	IGEN	NEM	NEM
Fa		NEM	NEM	NEM
Tartozékok	Forgótányér	IGEN	IGEN	IGEN
	Forgótányér támasz	IGEN	IGEN	IGEN
	Grillrács	NEM	IGEN	IGEN

IGEN: Használható edények és tartozékok

NEM: Az edények és tartozékok használatát kerülni kell.

*1 Csak ha nem tartalmaz fémdíszítést.

*2 Csak ha nem tartalmaz fémet.

*3 MEGJEGYZÉS: Az alumínium fóliát csak árnyékolási célra (pl. csirkeláb) használja, mert különben szikrázást okozhat.

Kicsomagolás

Figyelem: Amikor kicsomagolta a sütőt, feltétlenül ellenőrizze, hogy a szállítás közben nem érte-e valamilyen sérülés a készüléket. A sérült, vagy hiányzó részekkel rendelkező sütőt tilos üzembe helyezni, azt azonnal vissza kell vinni az eladás helyére. A sütőt is és a tartozékokat is védőfólia boríthatja. A sütő használata előtt ezt a védőfóliát (amennyiben van) el kell távolítani. Ne engedje, hogy a gyermekek játsszanak a csomagoló anyagokkal. A csomagoló anyagok veszélyesek lehetnek a gyerekek számára.

Csatlakoztatás a hálózatra

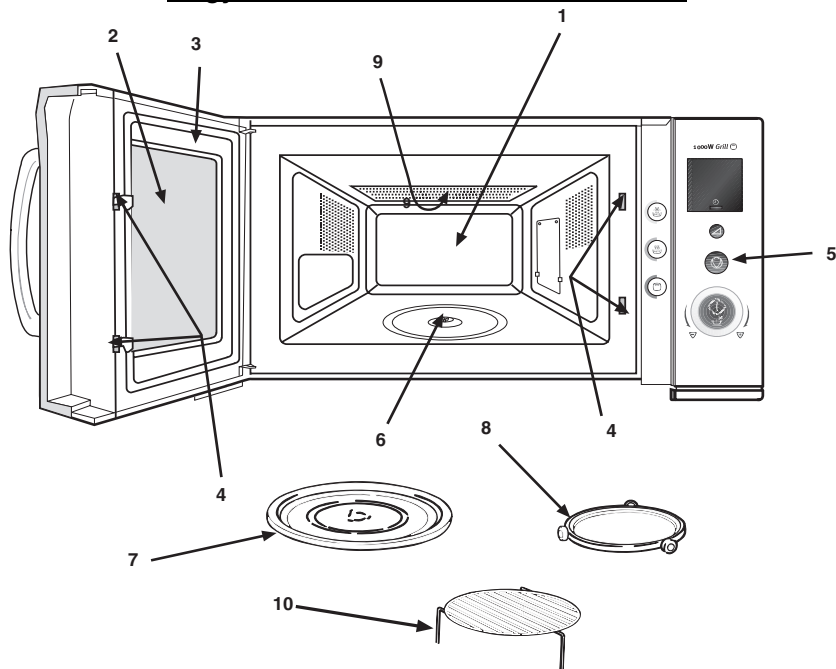
A sütőt a gyártó bekötött csatlakozó vezetékkel és dugóval szállítja, amelyet 230 V 50 Hz-es földelt konnektorba kell csatlakoztatni. A földelés minimálisra csökkenti a rövidzárlat kockázatát. Csatlakoztatás előtt ellenőrizze, hogy a lakás elektromos hálózatának adatai megegyeznek-e a fent leírtakkal.

Megjegyzés: Ha a sütőt hosszabbítón keresztül csatlakoztatja a hálózatra, akkor annak is földelt kivételnek kell lennie.

FIGYELEM! Tilos a készüléket földeletlen konnektorból üzemeltetni.

Ha a megfelelő földelt konnektor nem áll a rendelkezésére, akkor arra illetékes szakemberrel kell a megfelelő kiépítelésről gondoskodnia.

Hogyan működik a mikrohullámú sütő?



Fő részek megnevezése és funkciói

1. Sütőtér – a használat után törölje ki a sütőtérrel.
2. Átlátszó ablak – a sütő működése közben figyelemmel kísérheti a készülő ételt.
3. Sütőajtó – sütés közben az ajtónak szilárdan záródnia kell.
4. Kampós zárnyelv – ez a biztonsági ajtózárs rendszer része.
5. Kezelőpanel
6. Forgótányért meghajtó tengely
7. Forgótányér – speciális hőálló üvegből készült. Sütés-főzéskor erre a tányérra kell a tartóba elhelyezett ételt rakni.
8. Forgótányér támasz – úgy helyezze be a sütő aljára, hogy jól megtartsa a forgótányért.
9. Grill fűtőbetét
10. Grillrács – a legtöbb grillezéshez és barnításhoz használható

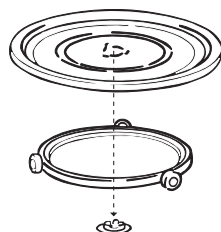
Forgótányér behelyezése

1. Helyezze a forgótányér támaszt a sütő aljára.
2. Helyezze a forgótányért a meghajtó tengelyre a képen látható módon. Ügyeljen arra, hogy a forgótányér megfelelően illeszkedjen a meghajtó tengelyre. **Soha ne tegye be a forgótányért lefelé fordítva.**
 - Sütés-főzéskor a forgótányér támaszt és a forgótányért is használni kell.
 - Az edénybe helyezett ételt mindig a forgótányérra kell betenni.
 - A forgótányér az óramutató járásával azonos és ellentétes irányba is foroghat. Ez teljesen normális.

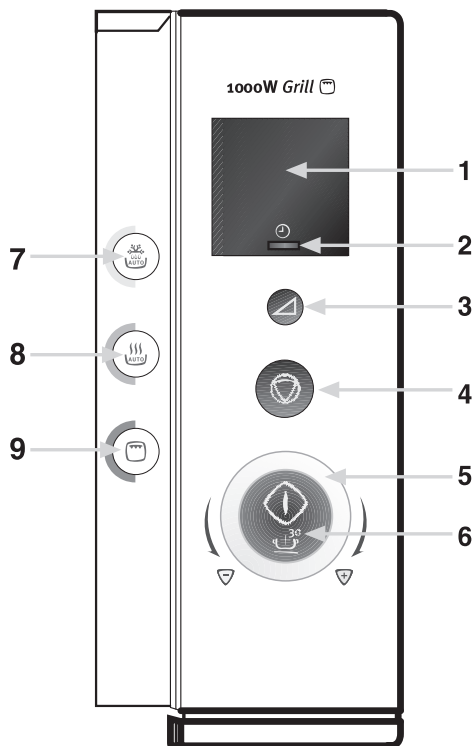
Forgótányér

Forgótányér támasz

Meghajtó tengely



Kezelőpanel



1. **Kijelző ablak**
A sütési idő, a sütési teljesítmény és a napi idő látható benne.
2. **Óra**
A napi idő beállítására szolgál.
3. **Teljesítmény**
A szükséges mikrohullámú teljesítmény állítható be.
4. **Stop/Clear**
A mikrohullámú leállítására, vagy szüneteltetésére szolgál.
5. **Időbeállító gomb**
A szükséges sütési idő állítható be a használatával.
6. **Gyors kezdés**
A mikrohullámú sütő elindítására használható.
7. **Automatikus felolvasztás**
A felolvasztási üzemmód beállítása végezhető el vele.
8. **Automatikus felmelegítés**
A felmelegítési üzemmód beállítására.
9. **Grill**
A grill, vagy a mikrohullám + grill üzemmód beállítására szolgáló gomb

Az óra beállítása

Amikor először csatlakoztatja a mikrohullámú sütőt az elektromos hálózatra, vagy áramszünet után ismét van áramellátás a lakásban, akkor a kijelző ablakban a „----” villog.

Példa: 4.30 beállítása

1. Érintse meg az óra (2) gombot.
2. A szabályzó gomb segítségével állítsa be a „4:00” időt.
3. Érintse meg az óra gombot.
4. A szabályzó gomb segítségével állítsa be a „4:30” időt.
5. Érintse meg az óra gombot. (A leírt lépések elvégzését követően az óra beállításra került.)

MEGJEGYZÉS: A kezdés után is lehetőség van a napi idő kijelzésére, az óra gomb megnyomásával (az időt a kijelző 2 mp-ig mutatja).

Gyermekebiztonsági zár

Az Ön által vásárolt mikrohullámú sütő egy olyan gyermekebiztonsági zárfunkcióval rendelkezik, amely megakadályozza, hogy a gyerekek véletlenül bekapcsolják a készüléket. A funkció beállítása után a készülék addig nem működik, ameddig a zárolást nem törli.

Beállítás:

1. Érintse meg egyszerre a **Stop/Clear** és az **Óra** gombokat. A kijelzőben az „L” betű jelenik meg. A zárolás törléséhez nyomja meg újra egyszerre a **Stop/Clear** és az **Óra** gombokat.
-

A sütő leállítása

A használatban lévő sütő kétféle módon állítható le:

1. Nyomja meg a Stop/Clear gombot.
 - A sütő a Start (gyors kezdés) gomb megnyomásával indítható újra.
 - A Stop/Clear gomb ismételt megnyomásával folytatódik az aktuális program.
 2. Nyissa ki az ajtót
 - A sütő az ajtó zárásával és a Start (gyors kezdés) gomb megnyomásával indítható újra.
 - A Stop/Clear gomb megnyomásával törölődik az aktuális program.
-

A hangjelzés kikapcsolása

A sütő egyik szolgáltatása, hogy kikapcsolható a hangjelzése. Ha beállítja ezt a szolgáltatást, akkor a gombok megnyomásakor és a program végén hallható hangjelzést kikapcsolhatja.

Beállítás:


1. Érintse meg egyszerre a **Stop/Clear** és a **Start** gombokat. A kijelzőben az „OFF” felirat jelenik meg. A kikapcsolás törléséhez nyomja meg újra egyszerre a **Stop/Clear** és a **Start** gombokat.

Gyors kezdés (Quick Start)

A **Start** gomb megnyomása lehetővé teszi, hogy a mikrohullámú sütő működését 30 mp-ig teljes teljesítményen (900 W) indítsa el.

A **Start** gomb minden egyes megnyomásával a főzési időt 30 mp-enként növelheti.

Mikrohullámú teljesítmény táblázat

Teljesítmény beállítás	Felhasználási javaslat
100 W	Melegentartó funkció: Ételek melegen tartásához
180 W 	Felolvasztó funkció: Fagyasztott élelmiszerek felolvasztásához
300 W	Gyenge fokozat: Néhány fajta sült befejező főzéséhez, tejsodó vagy sajtos keksz sütéséhez
450 W	Közepes fokozat: Gyorsabb felolvasztáshoz, casserole és ragu felmelegítéséhez
600 W	Felmelegítő fokozat: Kékszek sütéséhez, puddingok készítéséhez, készételek felmelegítéséhez, hús és szárnyas pecsenye készítéséhez.
800 W	Maximális teljesítmény: Levesek felmelegítéséhez, főzéséhez, zöldségek főzéséhez, barnító tálban készült ételek felmelegítéséhez

Mikrohullámú főzés

1. Nyissa ki az ajtót, helyezze be az ételt a forgótányérra és zárja be az ajtót.
2. Nyomogassa addig a Teljesítmény gombot, amíg a szükséges teljesítményfokozatot eléri.
3. A beállító gomb elforgatásával állítsa be a szükséges főzési időt.
4. Nyomja meg a Start gombot. **A készülék működése megkezdődik.**

A sütő kikapcsolásához nyomja meg a Stop/Clear gombot.

Vigyázat: Minden használat után figyeljen arra, hogy ne felejtse el kétszer megnyomni a Stop/Clear gombot. Ezzel biztosíthatja, hogy a sütő kikapcsolt állapotba kerül.

Példa: Sütés 450 W teljesítményen, 15 percig

1. Nyomja meg háromszor a Teljesítmény gombot (a kijelzőben a 450 jelenik meg).
2. Forgassa el az időbeállító gombot (a kijelzőben a 15:00 jelenik meg).
3. Nyomja meg a Start gombot. A sütő 15 percig automatikusan 450 W-os teljesítményen üzemel.

Főzés grillel

1. Nyissa ki az ajtót és helyezze az ételt a grillrácsra. Zárja be az ajtót.
2. Nyomja meg a Grill gombot.
3. Állítsa be a sütési időt az időbeállító gomb elforgatásával.
4. Nyomja meg a Start gombot. (A sütés megkezdődik.)

Ha grillezés közben ki akarja kapcsolni a készüléket, akkor egyszerűen nyomja meg a Stop/Clear gombot.

Vigyázat: Minden használat után figyeljen arra, hogy ne felejtse el kétszer megnyomni a Stop/Clear gombot. Ezzel biztosíthatja, hogy a sütő kikapcsolt állapotba kerül.

Példa: Grillezés 15 percig

1. Érintse meg egyszer a Grill gombot.
2. Az időbeállító gombbal állítson be 15 perc sütési időt. A kijelzőben a 15:00 jelenik meg.
3. Nyomja meg a Start gombot. A sütő működése megkezdődik.

A használatot megelőzően a grillt elő kell melegíteni. Ehhez végezze el a fenti lépéseket úgy, hogy előmelegítési időnek 3-4 percet állítson be.

Sütés mikrohullám és grill kombinálásával

5. Nyissa ki az ajtót és helyezze az ételt a grillrácsra.
6. Nyomja meg kétszer a Grill gombot.
7. Állítsa be a sütési időt az időbeállító gomb elforgatásával.
8. Zárja be az ajtót és nyomja meg a Start gombot. (A sütés megkezdődik.)

Ha sütés közben ki akarja kapcsolni a készüléket, akkor egyszerűen nyomja meg a Stop/Clear gombot.

Vigyázat: Minden használat után figyeljen arra, hogy ne felejtse el kétszer megnyomni a Stop/Clear gombot. Ezzel biztosíthatja, hogy a sütő kikapcsolt állapotba kerül.

Példa: Főzés 600 W mikrohullámú teljesítményen és grillezés 15 percig

1. Nyissa ki az ajtót-
2. Nyomja meg kétszer a Grill gombot.
3. Az időbeállító gombbal állítson be 15 perc sütési időt. A kijelzőben a 15:00 jelenik meg.
4. Zárja be az ajtót, majd nyomja meg a Start gombot. A sütő működése megkezdődik.

Kombinált (mikrohullám és grill) üzemmódban a sütő előmelegítésére nincs szükség.

Automatikus felolvasztás

1. Nyissa ki az ajtót és helyezze az ételt a forgótányérra.
2. Nyomja addig az „Auto Defrost” (automatikus felolvasztás) gombot, amíg a kívánt programot eléri.
3. Forgassa el addig a beállító gombot, amíg az élelmiszer mennyiségének megfelelő értéket eléri.
4. Zárja be az ajtót.
5. Nyomja meg a Start gombot. A felolvasztási folyamat megkezdődik.

Figyelem! Vegye figyelembe az alábbi táblázat ajánlásait.

Figyelem! Minden használat után figyeljen arra, hogy ne felejtse el kétszer megnyomni a Stop/Clear gombot. Ezzel biztosíthatja, hogy a sütő kikapcsolt állapotba kerül.

MEGJEGYZÉS: Automatikus felolvasztásnál a sütő automatikusan fogja kiválasztani a kívánt mikrohullámú teljesítményt és az időt. A sütési idő alatt a sütő automatikusan hangjelzéssel figyelmeztet az étel keverésre, vagy forgatására. Ha a felolvasztáshoz szükséges idő lelet, akkor a sütő automatikusan leáll. A felolvasztás folytatásához nyomja meg a Start gombot.

FIGYELEM: Az automatikus felolvasztási funkciót az alábbi táblázat alapján állítsa be:

Automatikus program	Nyomja meg a gombot	Adag	Megjegyzés
Hús	Egyszer	200 – 2000 g	A sütő a felolvasztási idő alatt automatikusan leáll, hogy az étel keverését, vagy forgatását elvégezhesse. A folytatáshoz nyomja meg a Start gombot.
Szárnyas	Kétszer	200 – 2000 g	A sütő a felolvasztási idő alatt automatikusan leáll, hogy az étel keverését, vagy forgatását elvégezhesse. A folytatáshoz nyomja meg a Start gombot.
Hal	Háromszor	200 – 2000 g	A sütő a felolvasztási idő alatt automatikusan leáll, hogy az étel keverését, vagy forgatását elvégezhesse. A folytatáshoz nyomja meg a Start gombot.
Kenyér / tészta	Négyszer	125 – 1000 g	
		125g-ig	hangjelzés után 10 meg 30 mp-ig
		250g-ig	hangjelzés után 10 meg 60 mp-ig
		375g-ig	hangjelzés után 10 meg 90 mp-ig
		500g-ig	hangjelzés után 10 meg 2 percig
		625g-ig	hangjelzés után 10 meg 2,5 percig
		750g-ig	hangjelzés után 10 meg 3 percig
		875g-ig	hangjelzés után 10 meg 3,5 percig
1000g-ig	hangjelzés után 10 meg 4 percig		

Megjegyzés : Kenyér és tészta felolvasztásakor a sütő leáll de a hangjelzés csak az ajtó nyitásakor lesz hallható. 10 meg, vagy forgassa meg az ételt, zárja be az ajtót és a folytatáshoz nyomja meg a Start gombot.

Példa: 500 g hal automatikus felolvasztása

1. Nyissa ki az ajtót.
2. Nyomja meg háromszor az „Auto defrost” gombot.
3. Forgassa el a beállító gombot addig, amíg a kijelző ablakban az 500 jelenik meg.
4. Zárja be az ajtót és nyomja meg a Start gombot. A sütő megkezd a felolvasztást.

Kézi felolvasztás

Kézi felolvasztásra is van lehetőség, ebben az esetben 180 W-os teljesítményt használjon. 450 g-nál nagyobb mennyiség felolvasztásakor - az étel fajtájától függően - meggyorsítható a felolvasztást oly módon, hogy a készüléket 1-3 percig 100%-os (900 W) teljesítményen üzemelteti, majd 180 W-on folytatja tovább a működését az étel teljes felolvasztásáig.

Automatikus felmelegítés

Ez a funkció lehetővé teszi hűtött készételek, friss zöldségek, csirkedarabok és fagyasztott péksütemények automatikus felmelegítését.

1. Nyissa ki az ajtót és helyezze az ételt a forgótányérra.
2. Nyomja addig az „Auto Reheat” (automatikus felmelegítés) gombot, amíg a kívánt programot eléri.
3. Forgassa el addig a beállító gombot, amíg az élelmiszer mennyiségének megfelelő értéket eléri.
4. Zárja be az ajtót.
5. Nyomja meg a Start gombot. A felolvasztási folyamat megkezdődik.

Figyelem! Vegye figyelembe az alábbi táblázat ajánlásait.

Figyelem! Minden használat után figyeljen arra, hogy ne felejtse el kétszer megnyomni a Stop/Clear gombot. Ezzel biztosíthatja, hogy a sütő kikapcsolt állapotba kerül.

Figyelem!

Automatikus felmelegítésnél a sütő automatikusan választja ki a teljesítményt és az időt.

Az automatikus felolvasztási funkciót az alábbi táblázat alapján állítsa be:

Ételfajta	Ennyiszor nyomja meg a gombot	Mennyiség
Hűtött készétel	Egyszer	300-350 g
		400-450 g
		500-550 g
Friss zöldség	Kétszer	200-250 g
		300-350 g
		400-450 g
		500-550 g
		600-650 g
Csirke darabok	Háromszor	700-750 g
		200-300 g (1 db)
		400-500 g (2 db)
		600-700 g (3 db)
Fagyasztott péksütemény	Négyszer	800-900 g (4 db)
		100-150 g (2 db)
		200-250 g (4 db)
		300-350 g (6 db)

Példa 500 g friss zöldség felmelegítésére

1. Nyissa ki az ajtót.
 2. Érintse meg az Auto Reheat gombot kétszer.
 3. Forgassa el a beállító gombot addig, amíg a kijelzőben az 500-550 jelenik meg.
 4. Zárja be az ajtót, majd nyomja meg a Start gombot. Az automatikus felmelegítés ekkor megkezdődik.
-

Táblázatok

Javaslatok grillel történő sütéshez

Minden élelmiszert a grillrácsra kell helyezni, amely alá egy edényt kell helyezni, hogy a kicsepegő szaftot felfogja és minimálisra csökkentse a szennyeződést. Minden ételt a főzés félidejében meg kell fordítani.

Étel	Mennyiség	Időszükséglet	Megjegyzés
Pirítós	2 szelet	4-5 perc	
Sajtos pirítós	4 szelet	6-7 perc	4-5 perc a pirításhoz, 2 perc a sajt elszíneződéséhez

Javaslatok mikrohullámmal és grillel való sütéshez

Étel	Mennyiség	Teljesítmény beállítás	Sütési idő	Megjegyzés
Bacon	100 g	Combi 3	7-9 perc	
Marhasült (csontos)	900 g	Mikrózás csak 600 W	25 perc	Olajjal kenje meg. Sóval, borssal fűszerezze. Sütés után 15-20 percig hagyja állni.
Sertéssült (vesepecsenye)	900 g	Combi 2	5-6 perc	
Sertés szelet (aprított)	2-3 (450 g)	Combi 2	20-25 perc	Olajjal kenje meg. Sóval, borssal, paprikával fűszerezze.
Csirke, hosszában félbevágott	450 g	Combi 1	15-20 perc	Olajjal kenje meg. Sóval, borssal, paprikával fűszerezze.
Lábszár, combok	800 g	Combi 1	25-30 perc	
Fagyasztott hamburger	4 (200 g)	Combi 2	12-15 perc	
Kolbászok	csak 450 g	Combi 1	10-15 perc	
Halszelet	2 (350 g)	Combi 3	22-24 perc	Olajjal kenje meg. Sóval, borssal fűszerezze.
Fagyasztott burgonya, Hasé lebarntva	2 (150 g)	Combi 2	16-18 perc	

Mikrohullám- és grillteljesítmény fokozatok

Beállítás	Mikrohullámú teljesítmény	Grill teljesítmény
Grill	0 W	1000 W
Combi 1	600 W	1000 W
Combi 2	450 W	1000 W
Combi 3	300 W	1000 W

Kézi felolvasztási tudnivalók

Néhány ételfajta (kenyér, gyümölcs) felolvasztása jobb eredményt ad ezen a 180 W teljesítményen való felolvasztáskor.

Étel	Előkészítés	Időszükséglet	Állásidő
Kenyér			
Kis méretű egész kenyér	Mikrohullámálló rácsra, vagy papírtörölközőre tegye. A felolvasztás félidejében fordítsa meg.	8-10 perc	10-15 perc
Nagy méretű szeletelt kenyér	Mikrohullámálló rácsra vagy papírtörölközőre tegye. A felolvasztás félidejében fordítsa meg.	10-13 perc	10 perc
2 szelet	Tegye papírtörölközőre.	45-60 mp	5 perc
1 zsemlye	Tegye papírtörölközőre.	45-60 mp	5 perc
2 zsemlye	Tegye papírtörölközőre.	1-1,5 perc	5 perc
Sütemények és tészták			
Torta (450 g)	Távolítsa el a csomagolást és tegye tányérra.	9-11 perc	15-30 perc
Sajtos sütemény (450 g)	Távolítsa el a csomagolást és tegye tányérra.	9-11 perc	15-30 perc
Pite (450 g)	Távolítsa el a csomagolást és tegye tányérra.	7-9 perc	15-30 perc
Tészta (450 g)	Távolítsa el a csomagolást és tegye tányérra.	7-9 perc	15-30 perc
Vaj			
250 g (1 csomag)	Távolítsa el róla a fóliát és tegye tányérra.	3-4 perc	5-10 perc
Gyümölcs			
Puha bogyós gyümölcs (225 g)	Egy rétegben helyezze lapos tányérra.	5-6 perc	5-10 perc
Puha bogyós gyümölcs (450 g)	Egy rétegben helyezze lapos tányérra.	7-8 perc	5-10 perc
Tányéros készétel			
450 g	Takarja le tányérral. Melegítse elő 100%-os (800 W) mikrohullámú teljesítményen 3-4 percig.	7-8 perc	5-10 perc
Zöldségek			
	Főzés előtt nem szükséges a zöldségeket felolvasztani. Indokolt esetben minden zöldség felolvasztható 100 %-on (800 W-on).		

Felolvasztási javaslatok

- Ha bizonytalan, akkor jobb alábecsülni a felolvasztási időt. Az étel felolvasztása az állásidő alatt tovább folytatódik.
- Válassza szét az élelmiszert amilyen hamar csak lehetséges.
- A felolvasztási idő felénél forgassa meg az ételt.
- A felolvasztott részeket - amilyen hamar lehetséges - távolítsa el.
- Felolvasztás előtt távolítsa el, vagy nyissa ki a csomagolást.
- Helyezze minél nagyobb edénybe az ételt, hogy a felolvasztás alatti forgatás és kavargatás minél könnyebb legyen.
- A baromfi felolvasztását lefelé fordított mellé végezze, félidejében fordítsa meg, vagy tartson szünetet. Az érzékeny felületek, mint pl. a szárnyak, lábak felolvasztását kisméretű fóliával beburkolva végezze.

Nagyon fontos az állásidő, amely része a főzésnek. Erre azért van szükség, hogy az étel teljes tömegében egyenletes hőfokúra felolvaszjon a sütést megelőzően.

Automatikus felmelegítő programtáblázat

Étel fajtája	Ennyiszor nyomja meg a gombot	Állásidő	Javaslatok
Hűtött készétel	Egyszer	3 perc	Tegye az ételt egy kerámia tányérra és takarja le egy mikrohullámálló tetővel. Ez a program 3 alkotóból álló étel (hús, szósszal, zöldség, burgonya, vagy rizs, vagy tészta) felmelegítésére alkalmas.
Friss zöldség	Kétszer	3 perc	A zöldséget mossa le, tisztítsa meg és darabolja fel kis méretűre. Tegye bele egy tetővel rendelkező üvegtálba. Adjon hozzá - 200-450 g-hoz 45 ml vizet, - 500-650 g-hoz 60 ml vizet, - 700-750 g-hoz 75 ml vizet. Nagyobb mennyiségek esetén egyszer keverje meg.
Csirke darabok	Háromszor	3 perc	Kenje be a csirkedarabokat olajjal, majd fűszerezze borssal, sóval és paprikával. Helyezze rá a darabokat a magas rácsra, a bőrös oldalukkal lefelé. Ha a sütő hangjelzést, ad, akkor forgassa meg a darabokat.
Fagyasztott péksütemény	Négyszer	2 perc	Helyezze a péksüteményt a kör alakú fémrácsra. Ha a sütő hangjelzést, ad, akkor forgassa meg a süteményeket.

Automatikus felolvasztási programtáblázat

Étel fajtája	Állásidő	Javaslatok
Hús	20-60 perc	Az érzékeny részeket burkolja be alufóliával. A hangjelzést követően fordítsa meg a húst. Ez a program marha, bárány, sertésszelet, vagdalt és darált-hús felolvasztásához megfelelő.
Baromfi	20-60 perc	Az érzékeny részeket burkolja be alufóliával. A hangjelzést követően fordítsa meg a baromfit. Ez a program egész csirke és darabolt csirke felolvasztásához megfelelő.
Hal	20-50 perc	Az egész magasságban burkolja be alufóliával. A hangjelzést követően fordítsa meg a halat. Ez a program egész és darabolt hal felolvasztásához megfelelő.
Kenyér / sütemény	5-30 perc	<p>Helyezze a kenyeret egy papírtörölközőre és a hangjelzést követően fordítsa meg.</p> <p>A süteményt kerámia tányérra tegye és a hangjelzést követően fordítsa meg (az ajtó nyitásakor a sütő működése leáll).</p> <p>Ez a program mindenfajta kenyér (egész és szeletelt is), péksütemény és bagett felolvasztására alkalmas. Ha a felolvasztandó mennyiség több darabból áll, akkor egyenletesen rendezze el őket kóralakban.</p> <p>Mindenféle sütemény és tészta felolvasztásához is választható ez a funkció, akkor is, ha azok gyümölcsösek, krémesek, vagy akár csokoládé bevonatúak.</p>

Mikrózási tanácsok

- Mindig tartsa a mikrózt tisztán, lehetőleg kerülje el az ételek kifröccsenését és ne felejtkezzen el megtisztítani a forgótányért, valamint a sütő belsejét.
- Mikrózásnál részesítse előnyben a fedővel rendelkező kerek, vagy ovális edényeket.
- Ne használjon fém, vagy fémdiszítésű edényeket. Bizonyos műanyag edények az étel forróságától megolvadhatnak.
- Főzőskor takarja le az ételeket. Használjon erre a célra üvegfedőt, tányért, vagy zsírálló papírt.
- Tésztát, kenyeret és hasonlókat közvetlenül a kenyértartó kosárban is, vagy szalvétán is felolvaszthat.
- Ha a fagyasztott ételt a csomagolásában melegíti fel, akkor a csomagolást először ki kell nyitni. Ha a csomagolás fémet, vagy fémdekorációt is tartalmaz, akkor azt csak akkor nem kell eltávolítani, ha a gyártó kifejezetten erre a célra ajánlja. Távolítsa el a fém zárókapcsot is.
- Kisebb darab alumínium fólia használható a mikróban olyan részek burkolására, ahol a túlfőzés elkerülése a cél (pl. csirkeláb).
- A nagyobb, sovány darabokat a hőálló edény szélére tegye és ha lehet, próbálja a nagyobb darabokat kisebb méretűekre felvágni. Az edényt mindig a készülék közepére helyezze.
- Az étel egyenletesen fog elkészülni, ha időnként megkeveri, vagy megforgatja.
- Mindig rövidebb főzési időt állítson be, mint amennyit a receptkönyvek írnak, hogy a túlfőzést elkerülje. A nagyobb mennyiségek hosszabb főzési időt igényelnek.
- Zöldségek párolásánál ne használjon vizet, vagy ha kell, akkor csak kis mennyiséget.
- Kevesebb só és fűszert használjon, mint amennyit a hagyományos főzésnél szokott.
- Fűszerezzen később.
- A főzés befejezése után hagyja állni az ételt, hogy jobb eredményt kapjon.
- Mindig tűzforró legyen az étel, mielőtt tálalja.
- Mindig használjon edényfogót, vagy kesztyűt, amikor az edényt kiveszi a készülékből.
- **Méz felolvasztása** – Ha az üvegben lévő méz kikristályosodott, akkor vegye le az üveg tetejét, majd az üveget helyezze a mikróba 2 percre, közepes teljesítmény beállításával.
- **Csokoládé felolvasztása** – 100 g csokoládét darabolja fel, helyezze egy mély tálba és magas teljesítménnyel 1-2 percig olvassza, majd jól keverje meg.
- **Vaj puhítása, vagy felolvasztása** – Az olvasztást néhány másodpercig magas teljesítménnyel végezze. Ha csak meg akarja puhítani, akkor alacsonyabb teljesítményt állítson be.
- **Kenyer frissítése, melegítése** – Néhány másodpercig végezze, közepes teljesítmény beállításával.
- **Fokhagyma héjának a könnyű eltávolításához** – 3-4 gerezd fokhagymát 15 másodpercig melegítsen magas teljesítményen. Préselje össze az egyik végét, amíg a fokhagyma gerezd kipattan a héjából.
- **Gyümölcsle** – A citrusfélék több levet adnak, ha facsarás előtt 15 másodpercig magas teljesítménnyel melegítik.
- **Zabkása főzése** – A zabkása a szervírozó tányérban is elkészíthető és nem ragad le a lábos aljára. Kövesse a gyártó útmutatásait.

Tisztítás és ápolás

A sütőnek mindig tisztának kell lennie. Az ételmaradványok elnyelik a mikrohullámú energiát és eléghetnek. Ez csökkenti a sütő hatékonyságát és kellemetlen szagokat eredményezhet. Ne próbálja meg saját maga a sütő javítását, vagy beállítását. A meghibásodott készülék javítását, beleértve a csatlakozó vezeték cseréjét is, csak a jótállási jegyben megjelölt szerviz végezheti.

Ügyeljen arra, hogy bármilyen tisztítási munka előtt a mikrohullámú sütő le legyen választva az elektromos hálózatról!

Tartozékok tisztítása (forgótányér és támasz)

A sütőtérből történő eltávolításuk után mosogatószeres vízben tisztítsa meg a tartozékokat. A forgótányér támaszát óvatosan kell tisztítani.

VIGYÁZAT! A sütőtér és a forgótányér nagyon felforrósodhat, ezért a használat után ne érintse meg azonnal!

Belső tisztítás

A sütő oldalfalain, az ajtó tömítésén és az ajtó felületén visszamaradó szennyeződések elnyelik a mikrohullámú energiát, ezáltal csökkentik a sütő hatékonyságát, sőt károsíthatják a sütő belsejét is.

A szennyeződés eltávolításához használjon kevés folyékony mosószert, meleg vizet és puha ruhát.

SOHA NE HASZNÁLJON MARÓ TISZTÍTÓSZERT, KERESKEDELMI SÜTŐ TISZTÍTÓT, VAGY FÉMSZÁLAS TISZTÍTÓ PÁRNÁT A MIKROHULLÁMÚ SÜTŐ EGYETLEN RÉSZÉNEK A TISZTÍTÁSHOZ SEM.

A makacs szennyeződések eltávolításához 2-3 percig forraljon egy csésze vizet a mikróban.

SOHA NE HASZNÁLJON KÉST, VAGY BÁRMILYEN MÁS ESZKÖZT A SZENNYEZŐDÉS SÜTŐFELÜLETRŐL TÖRTÉNŐ ELTÁVOLÍTÁSÁHOZ.

A sütőben lévő kellemetlen szagok eltávolításához a következőt ajánljuk: tegyen egy csésze vízbe 2 evőkanál citromlevet és azt 5 percig forralja a mikróban.

A grill tisztítása

A sütő használata során a grill fűtőbetétre zsír és más szennyezőanyag spriccelhet rá. Várja meg, amíg a készülék belseje kihűl, majd a következő használatot megelőzően törölje le a fűtőbetétre fröccsent szennyeződések. A fűtőbetétre ráakadó szennyeződések a használat során kellemetlen szagokat és füstöt okozhatnak.

Külső tisztítás

A kezelőpanel tisztításakor nyissa ki az ajtót. Ezzel elkerülheti a véletlenszerű bekapcsolást. A külső felületeket enyhén mosogatószeres meleg vízzel tisztítsa meg egy puha ruha segítségével. A mosogatószeres ruhával való letörlés után tiszta vizes ruhával, majd száraz ruhával törölje át a felületeket.

Ablaktisztító, vagy hasonló konyhai tisztító-spray is használható az ajtó ablakához. Soha ne használjon maró, karcoló vegyszert, mert károsíthatja a felületet. A károsodás elkerülése érdekében fokozottan ügyelni kell arra, hogy a szellőző nyílásokba víz semmilyen körülmények között ne juthasson be.

ÜZEMZAVAROK - PÓTALKATRÉSZEK

Ha a készülék működésében hibát észlel, akkor ellenőrizze az alábbiakban leírtakat, mielőtt a szervizhez fordul.

Ha a sütő nem indul el:

- Ellenőrizze, hogy a készüléket csatlakoztatta-e az elektromos hálózatra.
- Ellenőrizze, hogy megfelelően benyomta-e a csatlakozó dugót a konnektorba.
- Ha a csatlakozó dugóban lévő biztosítékkal van probléma, cseréltesse ki egy újra.
- Ellenőrizze, hogy van-e áram a fali csatlakozó aljzatban, vagy nem oldott-e le a lakás főbiztosítóka.
- Ellenőrizze, hogy ugyanabban a több férőhelyes csatlakozó aljzatban nem üzemel-e más készülék, amely nagy teljesítményű.
- Ellenőrizze a lakás főbiztosítékát.

Ha a mikrohullám nem működik:

- Ellenőrizze a beállító gombokat, hogy helyes-e azok beállítása.
- Ellenőrizze, hogy a beállítást a használati útmutató leírása szerint végezte-e.
- Ellenőrizze, hogy megfelelően bezárta-e az ajtót. (ha ételmaradványok ragadnak az ajtó-sütőtér záródó felületére, akkor az is akadályozhatja a megfelelő záródást, ami a mikro működésképtelenségét eredményezheti.)

Ha a fenti ellenőrzések után sem megfelelő a készülék működése, akkor forduljon a jótállási jegyben kijelölt szervizhez.

Fontos! Ha hívja a szervizt, akkor a bejelentkezéskor az alábbi adatokat adja meg a szerviznek:

1. Az Ön nevét, címét, postai irányítószámát:
2. Az Ön telefonszámát:
3. A hiba pontos leírását:
4. A készülék modellszámát:
5. A készülék sorozatszámát:
6. A készülék vásárlásának dátumát:

Azért, hogy az azonosító adatok mindig kéznél legyenek, javasoljuk, hogy írja be azokat az alábbi sorokba:

Modellszám: **EmS 2040**

Sorozatszám:

Vásárlási dátum:

Ha a készülék még jótállási időn belül van, a fentiekben részletezett ellenőrzéseket el kell végezni, mielőtt hívja a szerviz szakemberét. Ha a szakember kihívására nem a készülék mechanikus, vagy elektromos hibája miatt kerül sor, akkor annak költsége a vásárlót terheli.

Pótalkatrészek

Pótalkatrész az Alkatrészellátástól szerezhető be.

Jótállás

A jótállási feltételeket és kötelezettségeket a készülékhez mellékelt jótállási jegy tartalmazza.

Vevőszolgálat: 1142 Budapest, Erzsébet királyné út 87.
 Forgalmazó: Electrolux Lehel Kft. Háztartási Készülékek
 1142 Budapest, Erzsébet királyné út 87.

Spis treści

Przed rozpoczęciem korzystania z kuchni mikrofalowej	4	Tabele	16
Dane techniczne	4	– Wskazówki dotyczące pieczenia na grillu.....	16
Wskazówki bezpieczeństwa	5	– Wskazówki dotyczące funkcji "Mikrofałe + Grill".....	16
– Naczynia.....	5	– Wskazówki dotyczące rozmrażania ręcznego.....	17
– Wskazówki bezpieczeństwa podczas pieczenia na grillu.....	5	– Tabela programów automatycznego podgrzewania.....	18
– Sprawdzenie przydatności naczyń.....	6	– Tabela programów automatycznego rozmrażania.....	19
– Żywność.....	6	Praktyczne wskazówki	20
– Tabela naczyń.....	7	Konserwacja i czyszczenie	21
– Rozpakowanie.....	7	– Czyszczenie akcesoriów (podstawa obrotowa i talerz).....	21
Obsługa kuchni mikrofalowej	8	– Czyszczenie wnętrza kuchni.....	21
– Elementy.....	8	– Czyszczenie grilla.....	21
– Podstawa obrotowa/ talerz.....	8	– Czyszczenie elementów zewnętrznych.....	21
– Panel sterujący.....	9	Warunki gwarancji	22
– Ustawienie zegara.....	10	Serwis i części zamienne	22
– Blokada przed przypadkowym uruchomieniem kuchni przez dzieci.....	10		
– Wyłączenie kuchni.....	10		
– Wyłączenie alarmu.....	11		
– Szybki start.....	11		
– Tabela ustawień.....	11		
– Gotowanie mikrofalowe.....	12		
– Pieczenie na grillu.....	12		
– Gotowanie "Mikrofałe + Grill".....	13		
– Automatyczne rozmrażanie.....	14		
– Automatyczne podgrzewanie.....	15		

Gratulujemy zakupu nowej kuchni mikrofalowej

Gratulujemy Państwu trafnego wyboru i dziękujemy za zakup produktu firmy Electrolux. Jesteśmy przekonani, że nowa kuchnia mikrofalowa będzie Państwu bardzo przydatna i ułatwi przygotowywanie potraw.

Przed rozpoczęciem korzystania z kuchni mikrofalowej

Prosimy o dokładne zapoznanie się z niniejszą instrukcją obsługi. W celu efektywnego wykorzystania Państwa nowej kuchni mikrofalowej w instrukcji obsługi zawarto wiele cennych wskazówek i porad.

Zalecamy dokładne przeczytanie niniejszej instrukcji obsługi przed rozpoczęciem używania kuchni. Instrukcję należy zachować, aby podczas użytkowania móc w każdej chwili z niej skorzystać.

W przypadku sprzedaży urządzenia prosimy o przekazanie instrukcji nowemu użytkownikowi.

Dane techniczne

Wymiary zewnętrzne	Waga 13.5 kg
Szerokość 484 mm	Pojemność 20 litrów
Głębokość 376 mm	
Wysokość 275 mm	Zasilanie elektryczne 230V, 50 Hz
Wymiary komory kuchni	Bezpiecznik 10A
Szerokość 323 mm	Pobór mocy 2300W
Głębokość 296 mm	
Wysokość 218 mm	Moc użyteczna 800W
	Grill 1000W

Wskazówki bezpieczeństwa

- Wbudowany przełącznik blokujący zabezpiecza kuchnię mikrofalową przed uruchomieniem przy otwartych drzwiach.
- Nie należy manipulować przy drzwiach ani włączać kuchni, kiedy drzwi są otwarte. Może to narazić obsługującego na oddziaływanie energii mikrofalowej.
- Nie należy dopuszczać, aby na powierzchniach uszczelniających drzwi pozostawały resztki produktów żywnościowych lub środków czyszczących (patrz rozdział „Czyszczenie i konserwacja”).
- W przypadku usterek nie używać kuchni do czasu usunięcia ich przez autoryzowany zakład serwisowy.
- Prosimy zwracać szczególną uwagę na prawidłowe zamykanie się drzwi oraz na ewentualne usterki, tj.: (1) drzwi nie mogą być zwichrowane, (2) zawiasy i zatrzaski nie mogą być pęknięte i powinny działać niezawodnie, (3) uszczelki oraz powierzchnie uszczelniające nie mogą być uszkodzone.
- W przypadku wystąpienia usterki (opisanej powyżej), bądź konieczności wymiany części należy skontaktować się z lokalnym autoryzowanym zakładem serwisowym. Wszelkie prace o charakterze naprawczym i regulacyjnym muszą być wykonywane wyłącznie przez personel autoryzowanych zakładów serwisowych.
- W żadnym przypadku nie wolno demontować zewnętrznej obudowy drzwi oraz panelu sterującego, gdyż może to spowodować zagrożenie porażenia prądem elektrycznym o wysokim napięciu.
- Kuchnię należy zainstalować i umieścić zgodnie ze wskazówkami zawartymi w instrukcji obsługi.
- Kuchnię należy użytkować zgodnie z przeznaczeniem - jak podano w niniejszej instrukcji. Nie należy w tym urządzeniu stosować chemikaliów korozyjnych. Ten typ kuchni służy wyłącznie do podgrzewania, gotowania i rozmrażania produktów żywnościowych. Nie jest ona przeznaczona do celów przemysłowych, czy laboratoryjnych, jak również nie może być używana w celach komercyjnych. Użytkowanie niezgodne z przeznaczeniem powoduje anulowanie gwarancji.
- Nie włączać pustej kuchni mikrofalowej. Jeżeli nie ma w niej produktów żywnościowych lub wody, które mogłyby pochłoniąć energię mikrofalową, może wystąpić uszkodzenie magnetronu.
- Kuchnia mikrofalowa może być obsługiwana wyłącznie przez osoby dorosłe.
- Kuchni nie należy przechowywać na zewnątrz pomieszczeń oraz w pobliżu wody.
- Nie suszyć w kuchni mokrych przedmiotów lub gazet, gdyż może dojść do ich zapalenia.
- Kuchnia nie służy do przechowywania produktów żywnościowych i innych przedmiotów. Nie należy pozostawiać w niej przedmiotów papierowych, sprzętu do gotowania lub produktów żywnościowych, gdy kuchnia nie jest używana.

Naczynia

Większość naczyń ze szkła, tworzywo szklano - ceramicznych i szkła żaroodpornego nadaje się do stosowania w kuchni mikrofalowej. Mimo, że energia mikrofalowa nie przegrzewa większości naczyń szklanych i ceramicznych, mogą one ulec nagrzaniu w wyniku przenoszenia się ciepła z produktu na pojemnik. Dlatego zalecamy używanie rękawic przy wyjmowaniu z kuchni naczyń.

Wskazówki bezpieczeństwa podczas pieczenia na grillu

1. Szyba w drzwiczkach kuchni może pęknąć, jeżeli dostaną się na nią krople wody podczas używania grilla.
2. Podczas wkładania i wyjmowania potraw należy używać rękawic ochronnych. Naczynia nagrzewają się w czasie pracy kuchni i może dojść do oparzenia. Podstawa obrotowa i ruszt także rozgrzewają się i należy zachować szczególną ostrożność przy ich dotykaniu.
3. Wewnętrznej i zewnętrznej strony szyby w drzwiczkach nie należy dotykać metalowymi elementami podczas wkładania i wyjmowania potraw z kuchni. Wnętrze kuchni oraz drzwiczki nagrzewają się w czasie pracy. Zachować szczególną ostrożność.
4. Podstawy obrotowej i naczyń nie wolno zanurzać w zimnej wodzie bezpośrednio po wyjęciu z kuchni mikrofalowej.
5. Na wierzchu kuchni nie należy przechowywać żadnych przedmiotów. Ulega on rozgrzaniu w czasie pracy, więc pozostawione przedmioty mogą ulec uszkodzeniu. Z kuchni może wydobywać się para, osiadając na drzwiach. Na krawędzi kuchni pod drzwiami mogą także pojawić się krople wody. Jest to normalne zjawisko fizyczne spowodowane oddawaniem ciepła przez żywność i nie wpływa ujemnie na funkcjonowanie urządzenia. Drzwi nie uszczelniają całkowicie kuchni mikrofalowej.

& Para wydostająca się poprzez drzwi kuchni (lub na nich osiadająca; także krople wody) jest zjawiskiem normalnym. Jest efektem podgrzewania żywności i nie wpływa na sprawność oraz bezpieczeństwo urządzenia. Drzwi nie uszczelniają całkowicie komory kuchni.

- Postawie obrotowej nie wolno obracać ręcznie z użyciem siły, gdyż może to spowodować jej uszkodzenie.
 - Kiedy używamy w kuchni mikrofalowej naczyń metalowych może wystąpić iskrzenie. Ciągłe iskrzenie może uszkodzić urządzenie. W takim przypadku należy przerwać program i sprawdzić naczynie, z którego korzystamy.
- Otwory wentylacyjne kuchni nie mogą być zastonięte (górnne, boczne oraz dolne).

m Nie używać kuchni do celów komercyjnych. Kuchnia jest przeznaczona do użytku w warunkach gospodarstwa domowego.

Sprawdzenie przydatności naczyń

- Umieścić w kuchni mikrofalowej naczynie wraz ze szklanką wypełnioną do połowy wodą. Podgrzać przy ustawieniu na 800 W (100 %) przez jedną minutę. Jeżeli naczynie jest gorące nie należy stosować go w kuchni mikrofalowej. Jeżeli jest ono lekko ciepłe - może być używane do podgrzewania (ale nie do gotowania). Jeżeli naczynie utrzymało normalną temperaturę (otoczenia) oznacza to, że nadaje się do gotowania w kuchni mikrofalowej.
- Papierowe serwetki, papier woskowany, ręczniki papierowe, tacki, kubki, kartony, opakowania mrożonek i tektura są bardzo wygodne w użyciu. Zawsze należy jednak upewnić się, czy pojemnik wypełniony jest produktem żywnościowym, który będzie pochłaniał energię mikrofalową (i będzie można uniknąć przegrzania naczynia). Stosować się do wskazówek producenta żywności.
- Wiele naczyń z tworzyw sztucznych (kubki, talerze, opakowania mrożonek i inne) nadaje się do stosowania w kuchniach mikrofalowych. Jeżeli chcecie Państwo z nich korzystać radzimy zapoznać się z informacją producenta. Należy unikać stosowania opakowań z tworzyw sztucznych wraz z produktami zawierającymi duże ilości cukru lub tłuszczu. Produkty te osiągają w kuchni mikrofalowej wysoką temperaturę, co może spowodować topienie się niektórych gatunków tworzyw sztucznych.
- Sprzęt metalowy lub z elementami metalowymi nie powinien być stosowany w kuchni mikrofalowej, z wyjątkiem, jeżeli producent wyraźnie określi i zaleci możliwość używania w kuchniach mikrofalowych.
- Pojemniki z ograniczonymi możliwościami otwierania (np. butelki) nie powinny być używane do przyrządzania potraw w kuchniach mikrofalowych.
- Prosimy o szczególną uwagę przy zdejmowaniu pokrywek bądź przykrywek z naczyń, aby nie poparzyć się parą.

UWAGA : **Nie pozostawiać włączonej kuchni mikrofalowej bez nadzoru, kontrolować jej pracę podczas podgrzewania i gotowania z użyciem pojemników wykonanych ze sztucznych, papierowych bądź łatwopalnych materiałów.** Jeżeli zauważą Państwo dym prosimy nie otwierać drzwi, lecz natychmiast wyłączyć kuchnię, odłączyć od zasilania elektrycznego i odczekać, aż dym przestanie się wydobywać z wnętrza urządzenia.

- Nie podgrzewać w kuchni potraw w puszkach. Produkt należy wyjąć z puszki i umieścić w odpowiednim naczyniu.

Żywność

- Nie należy smażyć potraw na tłuszczu. Jego temperatura nie jest kontrolowana, co może doprowadzić do sytuacji stwarzającej zagrożenie.
- Prażona kukurydza może być przyrządzana tylko w specjalnych opakowaniach lub przystosowanych naczyniach (czynność ta wymaga nadzoru obsługującego).
- Produkty posiadające nieporowatą skórę bądź powłokę (takie jak: jabłka, ziemniaki, wątróbki drobiowe, żółtka jaj) wymagają wcześniejszego nakłucia zewnętrznej warstwy, aby zapobiec tworzeniu się pary lub ewentualnemu poparzeniu.

UWAGA: Podczas podgrzewania płynów (tj. zup, sosów, napojów) doprowadzenie ich do temperatury wrzenia może nastąpić bez pojawienia się charakterystycznych pęcherzyków. Aby tego uniknąć należy przyjąć poniższe wskazówki:

- uniknąć używania pojemników o prostych ściankach z wąskimi szyjkami;
- nie doprowadzać do nadmiernego przegrzewania;
- przed umieszczeniem płynu w kuchni należy go uprzednio zamieszać (czynność powtórzyć w połowie cyklu podgrzewania);
- po podgrzaniu naczynie z płynem pozostawić jeszcze przez chwilę w kuchni, ponownie zamieszać, a następnie wyjąć pojemnik przy zachowaniu szczególnej ostrożności.

Niektóre produkty, np. jaja oraz szczelnie zamknięte pojemniki, szklane słoiki mogą ulec eksplozji i dlatego nie powinny być poddawane działaniu energii mikrofalowej. Czasami jaja mogą eksplodować podczas gotowania. Zawsze należy przekłuwać żółtka, przykryć je pokrywką i po zakończeniu gotowania odczekać jeszcze minutę przed jej zdjęciem.

ZAPAMIĘTAJ:

- Postawy obrotowej nie wolno obracać ręcznie z użyciem siły, gdyż może to spowodować jej uszkodzenie.
- Kiedy używamy w kuchni mikrofalowej naczyń metalowych może wystąpić iskrzenie. Ciągłe iskrzenie może uszkodzić urządzenie. W takim przypadku należy przerwać program i sprawdzić naczynie, z którego korzystamy.
- Otworki wentylacyjne kuchni nie mogą być zastonięte (górną, boczne oraz dolne).

Nie używać kuchni do celów komercyjnych. Kuchnia jest przeznaczona do użytku w warunkach gospodarstwa domowego.

Zachowaj instrukcję obsługi.

Tabela naczyń

Do gotowania w kuchni mikrofalowej możecie Państwo stosować różnorodne naczynia. Dla Waszego bezpieczeństwa oraz dla zapobiegania zniszczeniu naczyń i kuchni należy wybrać odpowiednie pojemniki i materiały.

Poniższa lista pozwoli Państwu zapoznać się z ogólnymi zasadami doboru naczyń do stosowania w kuchni mikrofalowej.

Materiał	Rodzaj naczynia	Tryb pracy		
		Gotowanie mikrofalowe	Grill	Mikrofałe & Grill
Ceramika i szkło	Naczynia ze szkła żaroodpornego	TAK*1	TAK	TAK *1
	Szkło z metalowymi dekoracjami	NIE	NIE	NIE
	Szkło ołowiane	NIE	NIE	NIE
Porcelana	Bez dekoracji metalowych	TAK	TAK	NIE
Wyroby garmcarskie*2		TAK	TAK	TAK
Tworzywa sztuczne	Wyroby z tworzyw odpornych na oddziaływanie mikrofał; opakowania z tworzyw sztucznych	TAK	NIE	NIE
	Plastikowe opakowania	TAK		
Naczynia metalowe	Metalowe rondle do pieczenia	NIE	TAK	NIE
	Folia aluminiowa*3	TAK	TAK	TAK
Naczynia papierowe	Kubki, tacki, ręczniki	TAK	NIE	NIE
	Papier woskowany	TAK	NIE	NIE
Drewno		NIE	NIE	NIE
Akcesoria	Ruszt grilla	NIE	TAK	TAK
	Talerz obrotowy	TAK	TAK	TAK
	Podstawa talerza obrotowego	TAK	TAK	TAK

TAK: można używać

NIE: nie wolno używać

*1 tylko wtedy, gdy nie ma elementów metalowych.

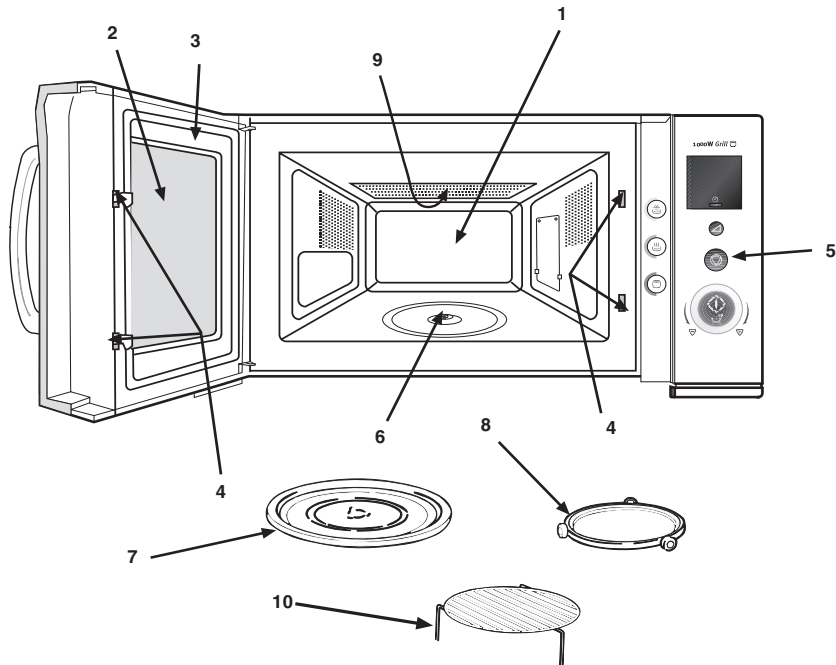
*2 tylko wtedy, gdy nie jest powleczone substancją zawierającą metal.

*3 UWAGA: folii aluminiowej używać tylko do przykrywania (np. kości udek kurczaka, skrzydełek); folia może iskrzyć!

Rozpakowanie

Podczas rozpakowywania kuchni należy sprawdzić, czy nie jest ona uszkodzona. Uszkodzenia lub braki w wyposażeniu należy natychmiast zgłosić w jednostce handlowej, gdzie dokonaliście Państwo zakupu. Kuchnia, jej wyposażenie lub akcesoria mogą być opakowane w folię zabezpieczającą. Jeśli tak, należy usunąć ją przed pierwszym użyciem kuchni mikrofalowej. Nie należy pozostawiać elementów opakowania w miejscach dostępnych dla dzieci. Materiał, z którego wykonane są elementy opakowania może być zagrożeniem dla dzieci.

Obsługa kuchni mikrofalowej



Elementy

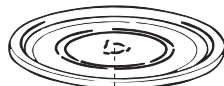
1. Komora kuchni mikrofalowej. Wyczyścić i wytrzeć po każdym użyciu.
2. Okno, przez które można sprawdzać stan przygotowania potrawy.
3. Drzwi. Należy je dokładnie zamykać.
4. Zaczepy zatrzaskowe i blokada drzwi.
5. Panel sterujący.
6. Zaczep dla talerza obrotowego
7. Talerz obrotowy wykonany ze specjalnego szkła żaroodpornego. Na talerz należy postawić odpowiednie naczynie z potrawą. Nie używać kuchni bez talerza obrotowego.
8. Podstawa obrotowa talerza; umieszczana w dolnej części kuchni pod talerzem.
9. Grill.
10. Ruszt grilla.

Podstawa obrotowa / talerz

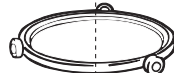
1. Podstawę obrotową umieścić w dolnej części kuchni.
 2. Talerz obrotowy położyć na podstawie, w sposób pokazany na rysunku. Należy upewnić się, że talerz został odpowiednio zamocowany w wypustce. **Nie wolno kłaść talerza w położeniu odwrotnym.**
- Zarówno talerz, jak i jego podstawa muszą znajdować się w kuchni podczas jej pracy.
 - Produkty oraz pojemniki umieszczamy zawsze na talerzu obrotowym.

Talerz obraca się w prawą i w lewą stronę; jest to zjawisko normalne. Nie obracać talerza ręcznie, gdyż można uszkodzić mechanizm obrotowy.

Talerz obrotowy



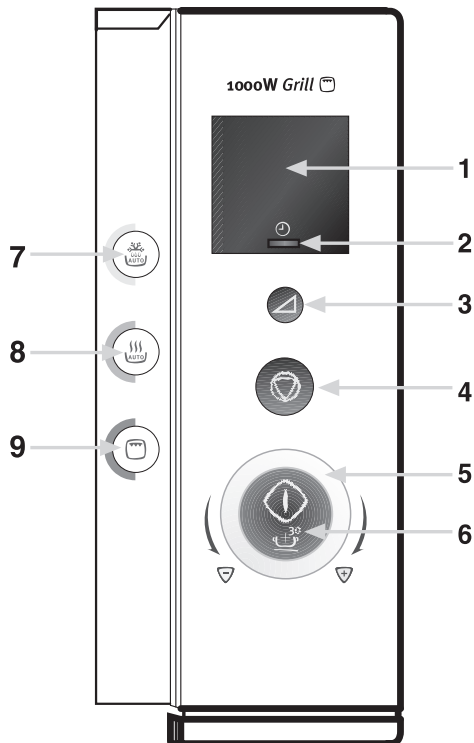
Podstawa obrotowa



Zaczep dla talerza



Panel sterujący



1. **Okno wyświetlacza**
Wskazuje czas gotowania, ustawiony poziom mocy oraz aktualną godzinę.
2. **Zegar**
Ustawianie aktualnej godziny.
3. **Moc**
Ustawianie mocy mikrofal.
4. **Stop/Clear**
Zatrzymanie lub przerwanie pracy kuchni.
5. **Pokrętko sterowania**
Ustawianie czasu gotowania.
6. **Szybki Start**
Włączanie mikrofalówki
7. **Automatyczne rozmrażanie**
Ustawianie trybu rozmrażania.
8. **Automatyczne podgrzewanie**
Ustawianie trybu podgrzewania.
9. **Grill**
Ustawienie trybu pieczenia na grillu lub opcji "Mikrofałe + Grill".

Ustawienie zegara

Po podłączeniu kuchni do zasilania (po raz pierwszy lub w przypadku przerwy w dostawie energii) okno wyświetlacza pulsuje i wskazuje "----".

Przykład: Ustawienie godziny 4.30

1. Wcisnąć przycisk zegara.
2. Pokrętkiem sterowania ustawić " 4:00 ".
3. Wcisnąć przycisk zegara.
4. Pokrętkiem sterowania ustawić godzinę " 4:30 ".
5. Wcisnąć przycisk zegara (aktualna godzina została wprowadzona do pamięci kuchni)/

UWAGA : **Aktualną godzinę można przywołać na wyświetlaczu (w czasie pracy kuchni) poprzez wciśnięcie przycisku zegara (wskazanie pojawi się przez 2 sekundy).**

Blokada przed przypadkowym uruchomieniem kuchni przez dzieci

Kuchnia posiada funkcję blokady, która uniemożliwia przypadkowe włączenie np. przez dzieci. Po włączeniu blokady nie można włączyć żadnej funkcji kuchni (do czasu skasowania blokady).

Włączenie blokady:

1. Jednocześnie wcisnąć przycisk ' **Stop/Clear** ' i przycisk ' **Zegar** '.
- Na wyświetlaczu pojawi się wskazanie ' **L** '.

Aby skasować blokadę należy jednocześnie wcisnąć przycisk ' **Stop/Clear** ' i ' **Zegar** '.

Wyłączenie kuchni

Są dwa sposoby zatrzymania kuchni w czasie jej pracy.

1. Wcisnąć przycisk "Stop/Clear".
 - Pracę kuchni można wznowić wciskając ponownie przycisk Start.
 - Ponowne wciśnięcie przycisku "Stop/Clear" skasuje aktualny program.
2. Otworzyć drzwi.
 - Można wznowić pracę kuchni zamykając drzwi i wciskając przycisk Start.
 - Ponowne wciśnięcie przycisku Stop/Clear spowoduje skasowanie aktualnego programu.

Wyłączenie alarmu

Można wyłączyć alarm akustyczny, który rozlega się po wciśnięciu przycisku i pod koniec programu.

Ustawienie:

1. Jednocześnie wcisnąć przycisk ' **Stop/Clear** ' i ' **Start** '. Na wyświetlaczu pojawi się wskazanie ' **OFF** ' (wyłączony).

Aby skasować, wcisnąć jednocześnie przycisk ' **Stop/Clear** ' i ' **Start** '.

Szybki start

Wciśnięcie przycisku ' **Start** ' pozwala na włączenie pełnej mocy mikrofalowej (900W) na 30 sekund.

Każde następne wciśnięcie przycisku ' **Start** ' wydłuży czas gotowania o 30 sekund.

Tabela ustawień

Poziom mocy	Proponowane użycie
100W	Utrzymywanie w ciepłe
180W	Rozmrażanie
300W	Gotowanie i podgrzewanie delikatnych potraw, zapiekanek
	Pieczenie ciast z serem
450W	Szybsze rozmrażanie i podgrzewanie produktów
	Pieczenie ciast; przyrządzanie budyniu
600W	Podgrzewanie zapiekanek.
	Odgrzewanie gotowych dań.
	Pieczenie mięsa i drobiu.
800W	Gotowanie lub podgrzewanie płynów.
	Gotowanie warzyw.

Gotowanie mikrofalowe

1. Otworzyć drzwi, na talerzu obrotowym położyć potrawę w naczyniu. Zamknąć drzwi. Aby wyłączyć kuchnię w czasie pracy należy wcisnąć przycisk "Stop/Clear".
2. Wcisnąc przycisk mocy wybrać odpowiedni poziom nagrzewania. **Uwaga: Po zakończeniu gotowania wcisnąć przycisk "Stop/Clear" dwukrotnie, upewniając się, że skasowano poprzednie ustawienia.**
3. Pokrętle ustawić czas gotowania.
4. Wcisnąć przycisk Start (**Rozpocznie się gotowanie**).

Przykład: Gotowanie - 450W przez 15 minut

1. Wcisnąć przycisk mocy 3 razy (wskazanie ' 450 ' powinno pojawić się w oknie wyświetlacza).
2. Pokrętle sterowania ustawić czas (wskazanie ' 15:00 ' powinno pojawić się w oknie wyświetlacza).
3. Wcisnąć przycisk "Start". Rozpocznie się gotowanie.

Pieczenie na grillu

1. Zamknąć drzwi, produkt ułożyć na ruszcie. Zamknąć drzwi.
2. Wcisnąć jeden raz przycisk Grill. **Uwaga: Po zakończeniu pieczenia wcisnąć przycisk "Stop/Clear" dwukrotnie, upewniając się, że skasowano poprzednie ustawienia.**
3. Obracając pokrętkę sterowania ustawić czas pieczenia.
4. Wcisnąć przycisk Start (**Rozpocznie się pieczenie**).
Aby wyłączyć kuchnię w czasie pracy, należy wcisnąć przycisk Stop/Clear.

Przykład: Pieczenie na grillu przez 15 minut

1. Wcisnąć jeden raz przycisk Grill.
2. Obracając pokrętkę sterowania ustawić czas. (Na wyświetlaczu powinno pojawić się wskazanie ' 15:00 ').
3. Wcisnąć przycisk Start. Rozpocznie się pieczenie.

**Przed pieczeniem na grillu należy ogrzać wstępnie komorę kuchni.
Włączyć grill na 3-4 minuty, tak jak opisano powyżej.**

Gotowanie “Mikrofałe + Grill”

Funkcja posiada trzy programy przygotowania potraw.

1. Otworzyć drzwi, ułożyć produkt na ruszcie grilla.
2. Wcisnąc przycisk Grill wybrać odpowiedni program.
3. Obracając pokrętkę sterowania ustawić czas gotowania.
4. Zamknąć drzwi i wcisnąć przycisk Start (**Rozpocznie się gotowanie**).

Aby wyłączyć kuchnię w czasie pracy, należy wcisnąć przycisk Stop/Clear.

Uwaga: Po zakończeniu gotowania wcisnąć przycisk “Stop/Clear” dwukrotnie, upewniając się, że skasowano poprzednie ustawienia.

Przykład: Gotowanie z mocą mikrofała 450W i grillowanie przez 15 minut

1. Otworzyć drzwi.
 2. Wcisnąć trzy razy przycisk Grill.
 3. Obracając pokrętkę sterowania ustawić czas. (na wyświetlaczu powinno pojawić się wskazanie ' 15:00 ').
 4. Zamknąć drzwi i wcisnąć przycisk Start. Kuchnia rozpocznie pracę.
-

Wstępne nagrzewanie kuchni przy tej funkcji nie jest konieczne.

Automatyczny program	Wcisnąć przycisk	Moc grilla	Moc mikrofała
Combi 1	2 razy	Pełna	600 W
Combi 2	3 razy	Pełna	450 W
Combi 3	4 razy	pełna	300 W

Automatyczne rozmrażanie

Można rozmrażać ręcznie, ustawiając moc na poziomie 180W. Aby przyspieszyć rozmrożenie produktu ważącego więcej niż 450g, można włączyć moc kuchni na 900W (100%) na 1 - 3 minuty, a później zmniejszyć do poziomu (180W) aż do całkowitego rozmrożenia.

1. Otworzyć drzwi, na talerzu obrotowym położyć potrawę w naczyniu. Zamknąć drzwi.

2. Wcisnąć przycisk 'Automatyczne rozmrażanie' i ustawić program.

3. Obracając pokrętkę sterowania ustawić wagę produktu.

4. Zamknąć drzwi.

5. Wcisnąć przycisk Start (rozpocznie się rozmrażanie).

UWAGA : szczegóły znajdują się w poniższej tabeli.

Aby wyłączyć kuchnię w trakcie programu, należy wcisnąć przycisk Stop/Clear.

UWAGA : Po zakończeniu pracy wcisnąć dwukrotnie przycisk Stop/Clear, aby upewnić się, że ustawienia zostaną skasowane.

UWAGA : W trakcie programów automatycznego rozmrażania kuchnia automatycznie wybiera poziom mocy mikrofal i czas trwania funkcji.

Wybór programów automatycznego rozmrażania:-

Automatyczny program	Wcisnąć przycisk	Waga
Mięso	Raz	200 - 2000g
Drób	Dwa razy	200 - 2000g
Ryb	Trzy razy	200 - 2000g
Chleb / Ciasto	Cztery razy	125 - 1000g

Przykład: automatyczne rozmrażanie ryby o wadze 500g.

- Otworzyć drzwi.
- Wcisnąć trzykrotnie przycisk Automatycznego rozmrażania.
- Obracać pokrętkę sterowania, aż na wyświetlaczu pojawi się wskazanie wagi produktu 500.
- Zamknąć drzwi i wcisnąć przycisk Start. Rozpocznie się rozmrażanie.

Dalsze wskazówki znajdują się w tabeli programów automatycznego rozmrażania.

Automatyczne rozmrażanie

- 1 Otworzyć drzwi, na talerzu obrotowym położyć potrawę w naczyniu.
- 2 Wcisnąć przycisk ' Automatyczne rozmrażanie ' i ustawić program.
- 3 Obracając pokrętko sterowania ustawić wagę produktu.
- 4 Zamknąć drzwi.
- 5 Wcisnąć przycisk Start (Rozpocznie się rozmrażanie).

UWAGA : szczegóły znajdują się w poniższej tabeli.
Aby wyłączyć kuchnię w trakcie programu, należy wcisnąć przycisk Stop/Clear.

UWAGA : Po zakończeniu pracy wcisnąć dwukrotnie przycisk Stop/Clear, aby upewnić się, że ustawienia zostaną skasowane.

UWAGA : W trakcie programów automatycznego rozmrażania kuchnia automatycznie wybiera poziom mocy mikrofal i czas trwania funkcji. Kuchnia zatrzyma się i / lub rozlegnie się alarm w trakcie rozmrażania, sygnalizujący konieczność obrócenia lub zamieszania potrawy. Wcisnąć przycisk Start, aby kontynuować rozmrażanie.

Wybór programów automatycznego rozmrażania:

Automatyczny program	Wcisnąć przycisk	Waga	Uwagi
Mięso	Raz	200 - 2000g	W czasie rozmrażania kuchnia zatrzyma się. Należy wtedy obrócić lub zamieszać potrawę. Wcisnąć przycisk Start, aby kontynuować rozmrażanie.
Drób	Dwa razy	200 - 2000g	W czasie rozmrażania kuchnia zatrzyma się. Należy wtedy obrócić lub zamieszać potrawę. Wcisnąć przycisk Start, aby kontynuować rozmrażanie.
Ryby	Trzy razy	200 - 2000g	W czasie rozmrażania kuchnia zatrzyma się. Należy wtedy obrócić lub zamieszać potrawę. Wcisnąć przycisk Start, aby kontynuować rozmrażanie.
Chleb / Ciasto	Cztery razy	125 - 1000g	
		Dla 125g	Obrócić po 10 sygnałach w ciągu 30 sekund
		Dla 250g	Obrócić po 10 sygnałach w ciągu 60 sekund
		Dla 375g	Obrócić po 10 sygnałach w ciągu 90 sekund.
		Dla 500g	Obrócić po 10 sygnałach w ciągu 120 sekund
		Dla 625g	Obrócić po 10 sygnałach w ciągu 150 sekund
		Dla 750g	Obrócić po 10 sygnałach w ciągu 180 sekund
		Dla 875g	Obrócić po 10 sygnałach w ciągu 210 sekund
		Dla 1000g	Obrócić po 10 sygnałach w ciągu 240 sekund

Uwaga : W trakcie rozmrażania chleba/ciasta, kuchnia zatrzyma się po 10 sygnałach, jeżeli drzwi zostaną otwarte. Obrócić lub zamieszać produkt, zamknąć drzwi i wcisnąć przycisk Start, aby kontynuować rozmrażanie.

Przykład: Aby automatycznie rozmrozić 500 g ryby:

- 1 Otworzyć drzwi.
- 2 Trzykrotnie wcisnąć przycisk Auto Rozmrażanie.
- 3 Obracać pokrętko sterowania, aż na wyświetlaczu pojawi się wskazanie wagi produktu 500.
- 4 Zamknąć drzwi i wcisnąć przycisk Start. Rozpocznie się rozmrażanie.

Dalsze wskazówki znajdują się w tabeli programów automatycznego rozmrażania.

Produkty można rozmrażać używając programów automatycznych lub ręcznie – wybierając moc mikrofal na poziomie 180W. Aby przyspieszyć rozmrażanie gęstych produktów o wadze przekraczającej 450g (1lb), można ustawić poziom 900W (100%) na 1 - 3 minuty, a następnie zmniejszyć do poziomu 180W (do zakończenia rozmrażania).

Tabele

Wskazówki dotyczące pieczenia na grillu

Produkty przeznaczone do pieczenia na grillu należy ułożyć na wysokim ruszcie (pod ruszt podstawić nie metalowe naczynie, w którym będą zbierały się soki z mięsa oraz tłuszcz). W połowie czasu pieczenia należy obrócić produkty na drugą stronę.

Produkt	Ilość (waga)	Czas pieczenia	Uwagi
Tost	2 kromki	4-5 min.	
Tost z serem	4 kromki	6-7 min.	4-5 min. same tosty; 2 minuty z serem

Wskazówki dotyczące funkcji “Mikrofale + Grill”

Używać niskiego rusztu w przypadku pieczenia wieprzowiny i wołowiny, delikatne kawałki przykryć folią. Na talerzu obrotowym, pod rusztem, postawić nie metalowe naczynie do zbierania tłuszczu i soków. Jeżeli to konieczne, obrócić produkty w czasie pieczenia.

Produkt	Ilość (waga)	Położenie pokręta	Czas przygotowania	Uwagi
Bekon	4 (100 g)	Combi 3	7- 9 min	
Wołowina	900 g	Mikrofale 600 W Combi 2	25 min	Posmarować tłuszczem. Przyprawić solą i pieprzem. Po pieczeniu odczekać 15- 20 minut.
Wieprzowina	900 g		5 - 6 min	
Kotlety wieprzowe	2 - 3(450 g)	Combi 2	20 - 25 min	Posmarować tłuszczem. Przyprawić solą, pieprzem i papryką.
Kurczak: Połowa	450 g	Combi 1	15 - 20 min	Posmarować tłuszczem. Przyprawić solą, pieprzem i papryką.
Udka	800 g	Combi 1	25 - 30 min	
Mrożone hamburgery	4 (200 g)	Combi 2	12 - 15 min	
Kielbaski	450 g	Combi 1	10 - 15 min	
Kotlety rybne	2 (350 g)	Combi 3	22 – 24 min	Posmarować tłuszczem. Przyprawić solą i pieprzem.
Mrożone ziemniaki	2 (150 g)	Combi 2	16 – 18 min.	

Wskazówki dotyczące rozmrażania ręcznego

Niektóre produkty (pieczywo i owoce) można rozmrażać przy ręcznym ustawieniu mocy (180W).

PRODUKT	PRZYGOTOWANIE	Czas rozmrażania	CZAS "ODCZEKANIA"
Pieczywo			
Mały bochenek	Położyć na papierze kuchennym lub naczyniu do mikrofalówki; obrócić w połowie czasu odmrażania.	8–10 min.	10–15 min.
Duży bochenek (krojony)	Położyć na papierze kuchennym lub naczyniu do mikrofalówki; obrócić w połowie czasu odmrażania.	10–13 min.	10 min
2 kromki	Położyć na papierze kuchennym.	45–60 sek.	5 min.
1 bułka	Położyć na papierze kuchennym.	45–60 sek.	5 min.
2 bułki	Położyć na papierze kuchennym.	1–1½ min.	5 min.
Ciasta i wyroby cukiernicze			
Sernik (450 g)	Zdjąć opakowanie, ułożyć na talerzu.	9–11 min.	15–30 min.
Ciasto (upieczone) (450 g)	Zdjąć opakowanie, ułożyć na talerzu.	7– 9 min.	15–30 min.
Placek (450 g)	Zdjąć opakowanie, ułożyć na talerzu.	7– 9 min.	15–30 min.
Masło			
250 g (1 kostka)			
Owoce			
Drobne owoce (225 g)			
Drobne owoce (450 g)	Ułożyć jedną warstwę na płytkim talerzu	7– 8 min.	5–10 min.
Dania gotowe			
400 g			
	Przykryć talerzem lub specjalną folią do mikrofalówek; aby podgrzać – włączyć mikrofałe na 100% (800W) na 3-4 minuty	7– 8 min	5–10 min.
Warzywa			
	Nie ma konieczności odmrażania warzyw przed gotowaniem. Wszystkie warzywa można ugotować przy ustawieniu 100% (800W)		

Wskazówki dotyczące rozmrażania

- Należy wybrać krótszy czas rozmrażania produktu, jeżeli mają Państwo wątpliwości. Produkt będzie rozmrażany podczas fazy „odczekania”.
- Oddzielić kawałki produktów.
- Duże kawałki, np. mięsa, obrócić w połowie czasu rozmrażania.
- Przed rozmrażaniem rozpakować lub wyjąć produkty z pojemników.
- Produkty ułożyć w większym pojemniku, aby ułatwić mieszanie w trakcie rozmrażania.
- Drób ułożyć częścią piersiową do dołu i obrócić w połowie czasu rozmrażania (lub pauzy). Należy pamiętać, aby delikatne części (np. skrzydełka) osłonić folią.

Po zakończeniu cyklu istotny jest czas „odczekania”, szczególnie w przypadku dużych kawałków i produktów, których nie można mieszać, aby upewnić się, że ich wnętrze jest całkowicie rozmrożone i gotowe do dalszego przyrządzania.

Tabela programów automatycznego podgrzewania

Program automatyczny	Wcisnąć przycisk	Czas "oczekania"	Wskazówki
Schlodzone dania gotowe	Raz	3 minuty	Danie położyć na ceramicznym talerzu i przykryć folią spożywczą (nadającą się do użytku w kuchniach mikrofalowych) Odpowiedni program dla posiłków składających się z 3 składników (mięso z sosem, warzywa i ziemniaki, ryż lub makaron).
Świeże warzywa	Dwa razy	3 minuty	Warzywa umyć, oczyścić i pokroić w kawałki o jednakowym rozmiarze. Zważyć warzywa i włożyć je do szklanego pojemnika z pokrywką. Dodać 45 ml wody (3 łyżki stołowe) podczas gotowania warzyw o wadze 200-450 g, dodać 60 ml wody (4 łyżki stołowe) przy 500- 650 g i dodać 75 ml wody (5 łyżek stołowych) dla 700- 750 g. Wymieszać po gotowaniu. (Jeżeli warzyw jest więcej, należy zamieszać także w trakcie gotowania).
Kawałki kurczaka	Trzy razy	3 minuty	Posmarować kawałki kurczaka oliwą i przyprawić pieprzem, solą i papryką. Ułożyć je na ruszcie (stroną ze skórą do dołu). Obrócić na drugą stronę jeśli rozlegnie się alarm.
Mrożone bułki	Cztery razy	2 minuty	Mrożone bułki ułożyć w okręgu na ruszcie (wierzchem do dołu). Obrócić na drugą stronę jeśli rozlegnie się alarm .

Tabela programów automatycznego rozmrażania

Produkt	Czas "odczekania"	Wskazówki
Mięso	20 - 60 minut	Krawędzie przykryć folią aluminiową. Obrócić na drugą stronę, jeśli rozlegnie się alarm. Odpowiedni program dla wołowiny, wieprzowiny, baraniny, steków, kotletów i mięsa mielonego.
Drób	20 - 60 minut	Nóżki i skrzydełka okryć folią aluminiową. Obrócić na drugą stronę, jeśli rozlegnie się alarm. Odpowiedni program dla całego kurczaka oraz porcji.
Ryby	20 - 50 minut	Końcówki zawinać w folię aluminiową. Obrócić na drugą stronę, jeśli rozlegnie się alarm. Odpowiedni program dla całych ryb oraz filetów.
Chleb / Ciasto	5 - 30 minut	Pieczyno położyć na papierze kuchennym i odwrócić, jeśli rozlegnie się alarm. Ciasto położyć na ceramicznym talerzu i obrócić, jeśli rozlegnie się alarm. (kuchnia będzie włączona do czasu otwarcia drzwi). Odpowiedni program do rozmrażania chleba (bochenków lub kromek), bułek i bagietek. Bułki ułożyć w okrąg na talerzu. Odpowiedni program dla ciast, herbatników, ciast z serem itp. Nie nadaje się do odmrażania owoców, ciast z kremem i ciast z czekoladową polewą.

Praktyczne wskazówki

- Kuchnię należy utrzymywać w czystości – wycierać po każdym użyciu (także podstawę obrotową i wewnętrzną stronę drzwi).
- Do gotowania mikrofalowego używać okrągłych lub owalnych naczyń z pokrywkami.
- Nie używać naczyń metalowych lub z metalowymi elementami. Niektóre rodzaje naczyń lub opakowań plastikowych mogą się stopić podczas gotowania w kuchni mikrofalowej.
- Produkty należy przykryć podczas gotowania. Użyć szklanej pokrywy lub talerza.
- Chleb można rozmrażać na papierowym ręczniku.
- Jeżeli mrożonki są podgrzewane w swoich oryginalnych opakowaniach, należy je otworzyć. Opakowania z elementami metalowymi mogą być umieszczane w kuchni mikrofalowej tylko wtedy, gdy ich producent żywności to zalecił. Zdjąć metalowe klipsy.
- Delikatne kawałki np. skrzydełka lub nóżki kurczaka należy okryć kawałkami folii aluminiowej, aby uniknąć przegrzania lub spalania.
- Produkty posiadające nieporowatą skórę bądź powłokę (takie jak: jabłka, ziemniaki, wątróbki drobiowe, żółtka jaj, kielbaski) wymagają wcześniejszego nakłucia zewnętrznej warstwy, aby zapobiec tworzeniu się pary lub ewentualnemu poparzeniu.
- Nie gotować jaj, gdyż mogą eksplodować!
- Większe kawałki żywności umieszczać po wewnętrznej stronie naczynia. Starać się gotować żywność porcjowaną w mniejsze kawałki. Żywność układać na środku talerza obrotowego.
- Żywność będzie ugotowana równomiernie, jeżeli będzie obracana lub mieszana podczas gotowania.
- Należy nieco skracać czas przygotowania potrawy wskazany przez producenta, aby uniknąć rozgotowania. Im większe kawałki żywności, tym dłuższy czas jest czas ich gotowania.
- Do gotowania warzyw należy dodawać jak najmniejsze ilości wody (lub gotować bez wody).
- Używać mniej soli i innych przypraw, niż w przypadku gotowania tradycyjnego.
- Żywność przyprawiać po wyjęciu z kuchni mikrofalowej.
- Po zakończeniu gotowania należy zachować „czas oczekania”, aby potrawy były równomiernie ugotowane.
- Po wyjęciu z kuchni potrawy sprawdzić, czy jest już wystarczająco gorąca (ugotowana równomiernie).

Przy wyjmowaniu naczyń i potraw z kuchni należy zawsze używać rękawic ochronnych.

• Miód

Jeżeli miód w słoiku uległ krystalizacji należy zdjąć pokrywkę i włożyć słoik do kuchni, podgrzewać falami mikrofalowymi przy średnim ustawieniu przez 2 minuty.

• Topienie czekolady

Porady

Podzielić tabliczkę 100 g na kostki, włożyć do miski i podgrzewać na najwyższej mocy przez 1-2 minuty, mieszać.

• Topienie lub zmiękczenie masła

Stopienie masła na najwyższym poziomie mocy; zmiękczenie – przy najniższym poziomie mocy.

• Odświeżanie lub podgrzewanie pieczywa

Średni poziom mocy przez kilka sekund.

• Obieranie czosnku

3 lub 4 ząbki czosnku ogrzewać na najwyższym poziomie mocy przez 15 sekund.

• Sok owocowy

Owoce będą bardziej soczyste po podgrzaniu na najwyższym poziomie mocy przez 15 sekund, przed wyciśnięciem.

Konserwacja i czyszczenie

Kuchnia mikrofalowa musi być utrzymywana w czystości. Nieusunięte resztki produktów niepotrzebnie pochłaniają energię mikrofalową oraz ulegają przypaleniu.

To przyczynia się do zmniejszenia wydajności urządzenia oraz powstawania nieprzyjemnych zapachów.

Żadne czynności naprawcze czy regulacyjne nie powinny być dokonywane we własnym zakresie. Naprawy mogą być przeprowadzane wyłącznie przez techników autoryzowanych zakładów serwisowych.

Przed przystąpieniem do czyszczenia należy upewnić się, czy kuchnia jest wyłączona i/lub odłączona od zasilania.

Czyszczenie akcesoriów (talerz i podstawa)

Czyścić delikatnymi środkami po wyjęciu z kuchni; należy ostrożnie obchodzić się z podstawą talerza obrotowego.

UWAGA: Wnętrze kuchni oraz talerz są bardzo gorące, więc nie należy ich dotykać bezpośrednio po zakończeniu cyklu gotowania.

Czyszczenie wnętrza kuchni

Kuchnię należy utrzymywać w czystości. Natychmiast usuwać pozostałości produktów żywnościowych ze ścianek, uszczelkę, powierzchnie uszczelniających, gdyż powodują one nadmierną absorpcję energii mikrofalowej, przyczyniając się do zmniejszenia jej efektywności, a nawet powstania poważnej usterki.

Do czyszczenia stosować delikatne detergenty płynne, ciepłą wodę oraz miękkie i czyste ściereczki.

NIE NALEŻY UŻYWAĆ ŚRODKÓW ŚCIERNYCH, PRZEMYSŁOWYCH, STALOWYCH ZMYWAKÓW DO ŻADNEGO Z ELEMENTÓW KUCHNI MIKROFALOWEJ.

W celu usunięcia mocnych zabrudzeń można gotować w kuchni szklankę wody przez 2 - 3 minuty.

DO USUWANIA ZANIECZYSZCZEŃ NIE UŻYWAĆ NOŻY I INNYCH OSTRYCH NARZĘDZI.

W celu usunięcia nieprzyjemnego zapachu należy gotować w kuchni szklankę wody z 2 łyżkami soku z cytryny przez 5 minut.

Konserwacja i czyszczenie (grill)

Grzałka grilla może zostać zanieczyszczona przyskającym tłuszczem. Oczekać, aż kuchnia będzie chłodna i wytrzeć zabrudzenia przed następnym włączeniem kuchni. Pozostawione resztki tłuszczu mogą powodować dymienie i powstawanie nieprzyjemnych zapachów.

Silnik podstawy obrotowej jest uszczelniony. Mimo to nie należy dopuścić do dostania się wody pod zaczep podstawy w czasie czyszczenia.

W celu łatwiejszego czyszczenia wnętrza kuchni, górną grzałkę można opuścić, delikatnie pociągając do dołu. Upewnić się, że grzałka nie jest rozrzana.

Czyszczenie elementów zewnętrznych

Podczas czyszczenia elementów panelu sterującego należy otworzyć drzwi, co zapobiegnie przypadkowemu włączeniu kuchni. Elementy zewnętrzne należy czyścić łagodnymi środkami (także uniwersalnymi środkami w sprayu), ciepłą wodą i osuszać miękką szmatką.

Nie wolno stosować środków ściernych, szorstkich zmywaków do naczyń, czy też szorstkich środków chemicznych. Podczas czyszczenia prosimy zwrócić uwagę, aby do otworów wentylacyjnych nie dostała się woda.

WARUNKI GWARANCJI

Warunki udzielonej gwarancji znajdują się w karcie gwarancyjnej, którą otrzymali Państwo przy zakupie urządzenia.

Serwis i części zamienne

Jeżeli kuchnia nie działa prawidłowo przed wezwaniem serwisu proszę sprawdzić, czy usterki nie można usunąć samodzielnie.

Nie można uruchomić kuchni:

- Sprawdzić, czy urządzenie jest prawidłowo podłączone do zasilania elektrycznego.
- Sprawdzić, czy wtyczka jest prawidłowo włożona do gniazdka.
- Jeśli to konieczne, wymienić bezpiecznik (na sprawny, o tych samych parametrach).
- Sprawdzić, czy przełącznik (gniazdka ściennie lub inny punkt obwodu) znajduje się w pozycji ON (włączony).
- Sprawdzić, czy w gniazdku jest napięcie (poprzez podłączenie innego, sprawnego urządzenia).
- Sprawdzić bezpiecznik w skrzynce.

Kuchnia nie podejmuje pracy:

- Sprawdzić, czy włączono zabezpieczenie przed przypadkowym uruchomieniem przez dzieci.
- Sprawdzić wykonane ustawienia.
- Sprawdzić, czy ustawienia zostały dokonane zgodnie z opisem w instrukcji obsługi.
- Sprawdzić, czy prawidłowo zamknięto drzwi (oraz czy zamknięciu nie przeszkadzają resztki produktów).

Sprawdzić, czy przycisk Start został wciśnięty.

UWAGA: Koszt wezwanie technika z powodu usterki wymienionej powyżej lub nieprawidłowej obsługi / instalacji urządzenia pokrywa klient, nawet w czasie trwania gwarancji.

Serwis i części zamienne

Jeżeli wykonanie powyższych czynności nie przyniosło efektu i kuchnia nadal nie funkcjonuje, należy skontaktować się z najbliższym autoryzowanym zakładem serwisowym Electrolux.

Jeżeli będą Państwo zamawiali usługi serwisowe lub części zamienne, prosimy o podanie następujących informacji:

1. objawy usterki
2. oznaczenie modelu
3. numer seryjny/produktu
4. data zakupu

Zalecamy zapisanie tych informacji poniżej:

Model : **EMM2040**

Numer seryjny:

Data zakupu:

Jeżeli urządzenie podlega gwarancji, przed wezwaniem serwisu należy sprawdzić, czy usterki nie można usunąć samodzielnie. Wizyta będzie odpłatna, gdy usterka nie będzie miała charakteru mechanicznego lub elektrycznego.

Obsah

Pred prvým použitím	4
Technické údaje	4
Bezpečnostné pokyny	5
– Vhodný kuchynský riad	5
– Testovanie kuchynského riadu	6
– Príprava pokrmov	6
Tabuľka varných nádob a príslušenstva	7
Inštalácia	8
– Vybalenie	8
– Inštalácia	8
– Zapojenie do elektrickej siete	8
Používanie mikrovlnnej rúry	9
– Označenia a funkcia jednotlivých častí	9
– Inštalácia rotačného taniera	9
– Ovládací panel	10
– Nastavenie denného času	11
– Detská poistka	11
– Zastavenie rúry	11
– Vypnutie zvukovej signalizácie	12
– Rýchly štart	12
– Tabuľka výkonových stupňov	12
– Mikrovlnná tepelná úprava	13
– Grilovanie	13
– Kombinovaná tepelná úprava	14
– Automatické rozmrazovanie	15
– Automatické zohrievanie	16
Tabuľky	17
– Manuálne rozmrazovanie	18
– Automatické zohrievanie	19
– Automatické rozmrazovanie	20
Rady a tipy pre mikrovlnnú prevádzku	21
Ošetrovanie a čistenie	22
– Čistenie príslušenstva	22
– Čistenie spotrebiča zvnútra	22
– Čistenie grilu	22
– Čistenie spotrebiča zvonka	22
Servis a náhradné diely	23
– Náhradné diely	23
– Záruka	23

Blahoželáme vám ku kúpe novej mikrovlnnej rúry

Ďakujeme vám, že ste si vybrali výrobok značky Electrolux. Sme presvedčení, že sa vaša nová mikrovlnná rúra stane užitočným pomocníkom vo vašej domácnosti. Tak ako pri iných domácich elektrospotrebičoch, aj pri tomto výrobku budete potrebovať určitý čas, aby ste sa naučili využívať všetky jeho funkcie a prednosti. Veríme, že sa pre vás stane vaša nová mikrovlnná rúra nepostrádateľnou.

Pred prvým použitím

Tento návod na používanie si dôkladne prečítajte. Ak ho preštudujete pozorne a budete sa riadiť uvedenými pokynmi, dosiahnete optimálne využitie vašej mikrovlnnej rúry Electrolux.

Návod na používanie je dôležitou súčasťou mikrovlnnej rúry. Ak spotrebič predáte, darujete, alebo ho necháte v starom byte, postarajte sa o to, aby sa návod na používanie dostal do rúk nového majiteľa. Ďalší užívateľ sa tak bude môcť oboznámiť s obsluhou spotrebiča a bezpečnostnými pokynmi.

Pred prvým použitím spotrebiča si pozorne prečítajte tento návod a riadte sa uvedenými pokynmi.

Technické údaje

Vonkajšie rozmery	Šírka 484 mm
	hĺbka 376 mm
	výška 275 mm
Vnútorne rozmery dutiny	šírka 323 mm
	hĺbka 296 mm
	Výška 218 mm
Objem	20 litrov
Hmotnosť	13.5 kg
Zapojenie	230 V, 50 Hz
Poistka	10 A
Príkon	2300 W
Výkon mikrovlnnej rúry	800 W
Výkon grilu	1000 W

Bezpečnostné pokyny

- Vďaka zabudovanému bezpečnostnému spínaču sa mikrovlnná rúra nedá spustiť, keď sú jej dvierka otvorené.
- Za žiadnych okolností sa nesnažte uviesť mikrovlnnú rúru do prevádzky pri otvorených dvierkach, aby ste sa nevystavili vplyvu mikrovln.
- Dbajte na to, aby sa na tesnení dvierok neusadzovali zvyšky jedál alebo čistiaceho prostriedku. Prečítajte si kapitolu o čistení a ošetrovaní mikrovlnnej rúry.
- V prípade poruchy alebo poškodenia mikrovlnnú rúru v žiadnom prípade nepoužívajte. Opravu spotrebiča prenehajte kvalifikovaným servisným technikom.
- Je dôležité, aby sa dvierka mikrovlnnej rúry zatvárali bez problémov. Dvierka nesmú byť ohnuté, spojovacie kľby a čapy nesmú byť zlomené alebo inak poškodené a tesnenie dvierok nesmie byť narušené.
- Za žiadnych okolností sa nepokúšajte opraviť spotrebič sami. Je nebezpečné upravovať alebo pozmeňovať spotrebič a jeho vlastnosti. V prípade poruchy sa obráťte na najbližšie autorizované servisné stredisko. Zoznam autorizovaných servisných stredísk je priložený.
- Nikdy neodstraňujte vonkajší plášť, dvierka alebo ovládací panel spotrebiča. Hrozí nebezpečenstvo zásahu elektrickým prúdom.
- Pri inštalácii a zapájaní mikrovlnnej rúry do elektrickej siete sa riadte pokynmi v kapitole Inštalácia.
- Mikrovlnnú rúru používajte len na špecifické účely, popísané v tomto návode. Pri čistení mikrovlnnej rúry nepoužívajte korozívne chemikálie.
- Mikrovlnná rúra je určená predovšetkým na tepelnú úpravu, zohrievanie a rozmrazovanie jedál. Mikrovlnná rúra nie je určená na priemyselné, laboratórne a komerčné účely. Pri používaní mikrovlnnej rúry na nevhodné účely záruka stráca platnosť.
- Nikdy nezapínajte prázdnu mikrovlnnú rúru. V opačnom prípade môže dôjsť k poškodeniu vnútorného magnetronového zariadenia.
- Mikrovlnnú rúru nikdy neumiestňujte v exteriéroch. Rovnako mikrovlnnú rúru nepoužívajte v blízkosti vody.
- Nedovoľte, aby sa do mikrovlnnej rúry dostali novinový papier alebo suché textilie. Môžu sa vznietiť len pod dohľadom dospelých.
- Mikrovlnnú rúru nepoužívajte na skladovanie potravín. Ak je mikrovlnná rúra mimo prevádzky, nenechávajte v nej zvyšky papierov, obalov a kuchynských náradie.

Vhodný kuchynský riad

- Na používanie v mikrovlnnej rúre je vhodné najmä sklo, sklokeramika a predovšetkým tepluvzdorný sklenený riad. Mikrovlnná energia nepôsobí na väčšinu sklenených a porcelánových nádob, riad sa však zohreje vplyvom tepla z pokrmov. Pri vyberaní pokrmov z mikrovlnnej rúry použite ochranné rukavice, aby ste predišli popáleninám.

Bezpečnosť pri grilovaní

1. Ak sa na sklené okno, ktoré je súčasťou dveri, počas grilovania dostane voda, môže ľahko prasknúť.
2. Keď do mikrovlnnej rúry vkladáte alebo z nej vyberáte kuchynskú nádobu, používajte špeciálne rukavice. Ochranné rukavice použite tiež pri manipulácii s rotačným tanierom a kovovým podstavcom, ktoré sa pri činnosti mikrovlnnej rúry zohrievajú na vysokú teplotu.
3. Dvierok mikrovlnnej rúry sa zásadne nedotýkajte kovovými predmetmi. Pri manipulovaní s kuchynskými nádobami buďte opatrní – dvierka a vnútro rúry sa počas prevádzky značne zohrejú.
4. Rotačný tanier alebo kuchynskú nádobu sa nepokúšajte ochladiť ponorením do studenej vody a podobne.
5. Na mikrovlnnú rúru neodkladajte žiadne predmety, pretože by sa mohli vplyvom tepla poškodiť.

Je normálne, keď sa okolo dvierok vytvorí para, keď sa dvierka zahmlia, alebo keď sa na spodku dvierok vyzrážajú kvapky vody. Ide o kondenzáciu vodnej pary, ktorá sa uvoľňuje pri tepelnej príprave jedál a nijako neovplyvňuje bezpečnosť rúry. Dvierka nemajú tesniť dutinu rúry úplne.

Testovanie kuchynského riadu

- Do mikrovlnnej rúry vložte kuchynskú nádobu spolu s pohárom plným vody a výkon nastavte na 900 W (100%). Čas ohrievania nastavte na jednu minútu. Ak je riad horúci, nemali by ste ho používať. Ak je miernie teplý, môžete ho používať na zohrievanie jedál. Ak má riad izbovú teplotu, môžete ho používať aj na tepelnú úpravu pokrmov.
- Obaly z materiálov, ako sú napr. servítky, voskový papier, papierové utierky, papierové šálky, kartónové škatule a lepenkové obaly sú vhodné pre použitie v mikrovlnnej rúre. Pred použitím sa vždy ubezpečte, že nie sú prázdne, aby ste zabránili prehriatiu.
- V mikrovlnnej rúre môžete používať veľa druhov umelohmotných riadov, šálok a obalov. Vždy sa riadte pokynmi výrobcu. Plastové obaly nepoužívajte, ak obsahujú príliš mastné jedlá alebo jedlá s vysokým obsahom cukru. Pri ich zohriatí môže dôjsť k poškodeniu obalu.
- Kovový riad alebo riad s kovovým lemovaním, resp. ornamentom by ste v mikrovlnnej rúre nemali používať, ak to výrobca vyslovene neodporúča.
- V mikrovlnnej rúre nezohrievajte pokrmy v obaloch s úzkym otvorom, ako sú napr. fľaše.
- Pri snímaní pokrievok a uzáverov kuchynských nádob buďte opatrní a použite rukavice, aby ste predišli popáleninám.

V mikrovlnnej rúre nikdy nepripravujte bez dozoru jedlá v plastových, papierových alebo horľavých obaloch. Ak sa objaví dym, nechajte dvierka zatvorené, rúru vypnite, odpojte ju od elektrickej siete a počkajte, kým pokrm prestane dymiť.

Príprava pokrmov

- V mikrovlnnej rúre nikdy nezohrievajte potraviny v plechoviciach. Najprv ich preložte do nádoby, ktorú je vhodné používať v mikrovlnnej rúre.
- V mikrovlnnej rúre nikdy nefritujte a nepripravujte príliš mastné jedlá. Vzhľadom na to, že sa teplota tuku nedá kontrolovať, môže dôjsť k nebezpečným situáciám.
- Pukance môžete v mikrovlnnej rúre pripravovať len v špeciálnych obaloch, určených na tento účel. Tento proces treba neustále sledovať.

- Potraviny s pevnou šupou, resp. neporovitou kožou (napr. jablká, zemiaky, kuracie pečienky, vaječné žĺtko), vždy prepichnete, aby ste zabránili tak utajenému varu vo vnútri pokrmov a ich následnej explózií.
- Detiskú výživu po zohriatí dobre premiešajte alebo pretrepte, aby sa teplo rovnomerne rozložilo. Skôr, ako výživu dieťaťu podáte, bezpodmienečne skontrolujte jej teplotu.

Upozomenie: Pri zohrievaní polievok, nápojov a omáčok v mikrovlnnej rúre sa môže stať, že pokrm vykypí bez toho, aby ste spozorovali bod varu. Aby ste sa vyhli uvedenému javu, odporúčame:

1. Nepoužívajte nádoby s úzkym hrdlom.
 2. Pokrmy neprehrievajte.
 3. Pokrmy pred ich zohrievaním v mikrovlnnej rúre, ako aj v polovici procesu zohrievania premiešajte.
 4. Po zohriatí nechajte pokrmy ešte chvíľu v mikrovlnnej rúre, a potom ich zamiešajte skôr, ako ich vyberiete.
- Niektoré potraviny ako napr. celé vajcia alebo pokrmy v uzatvorených pohároch, môžu pri zohrievaní explodovať, preto ich neodporúčame pripravovať v mikrovlnnej rúre. Ak chcete v mikrovlnnej rúre pripraviť vajčka, žltok vždy prepichnete a potom vajcia zakryte. Pred odkrytím pokrievky počkajte cca jednu minútu.

Upozomenia:

- Nikdy sa nepokúšajte násilím otočiť rotačný tanier; mohli by ste ho poškodiť.
- Príčinou iskrenia v mikrovlnnej rúre býva kovová kuchynská nádoba. Iskrenie môže spotrebič vážne poškodiť, preto treba program okamžite zastaviť a použitú nádobu skontrolovať.
- Dbajte na to, aby ventilačné otvory vo vrchnej, zadnej, bočnej a spodnej časti spotrebiča zostali voľné.

Spotrebič nepoužívajte na komerčné účely.

Mikrovlnná rúra je určená na používanie v domácnosti.

Dodržiavajte vyššie uvedené pokyny.

Tabuľka varných nádob a príslušenstva

Na tepelnú úpravu pokrmov v mikrovlnnej rúre môžete používať množstvo druhov riadov a príslušenstva. V záujme bezproblémovej prevádzky, vlastnej bezpečnosti a maximálnej účinnosti si vyberte to najvhodnejšie pre daný druh tepelnej úpravy pokrmu. Ponúkame Vám stručný prehľad všeobecne používaných nádob:

Materiál	Riad	Mikrovlnná tepelná úprava	Grilovanie	Kombinovaná tepelná úprava
keramika a sklo	porcelán bez kovovej dekorácie	ÁNO	ÁNO	ÁNO
	tepluvzdorné sklenené nádoby	ÁNO*	ÁNO	ÁNO*
	sklenené nádoby s kovovými ornamentami	NIE	NIE	NIE
	nádoby z olovnatého krištáľu	NIE	NIE	NIE
čínsky porcelán	bez kovových ozdôb	ÁNO	ÁNO	NIE
porcelán *	bez kovových ozdôb	ÁNO	ÁNO	ÁNO
plast	tepluvzdorné plastové obaly	ÁNO	NIE	NIE
	plastové obaly	ÁNO	NIE	NIE
kov	plechy na pečenie	NIE	ÁNO	NIE
	alobal**	ÁNO	ÁNO	ÁNO
papier	šálky, tanieriky	ÁNO	NIE	NIE
voskový papier		ÁNO	NIE	NIE
drevo		NIE	NIE	NIE
príslušenstvo	grilovacie podložka	NIE	ÁNO	ÁNO
	rotačný tanier	ÁNO	ÁNO	ÁNO
	podložka pod tanier	ÁNO	ÁNO	ÁNO

ÁNO: vhodné používať v mikrovlnnej rúre

NIE: nevhodné používať v mikrovlnnej rúre

* Ak glazúra neobsahuje kov, alebo ak nádoby nemajú kovovú dekoráciu.

** POZNÁMKA: Alobal sa používa na zakrytie a ochranu potravín; môže spôsobovať iskrenie.

Inštalácia

Vybalenie

Po vybalení skontrolujte, či spotrebič počas prepravy neutrpel škody. A zistíte, že je rúra poškodená alebo nejaká jej časť chýba, bezodkladne sa obráťte na vášho dodávateľa. Rúra a jej príslušenstvo môže byť zabalené do ochrannej fólie. Pred prvým použitím spotrebiča treba fóliu bezpodmienečne odstrániť.

Obalový materiál odstráňte z dosahu detí.

Inštalácia

1. Z dvierok spotrebiča odstráňte všetky reklamné nálepky.
2. Spotrebič umiestnite na rovný a hladký povrch. Miesto umiestnenia spotrebiča musí byť dostatočne pevné, aby udržalo hmotnosť spotrebiča (13,5 kg) a jeho obsah, a stabilné, aby nedošlo k vzniku vibrácií.
3. Mikrovlnnú rúru umiestnite v dostatočnej vzdialenosti od vody a zdrojov tepla, ako sú napr. radiátor a boiler, aby ste sa vyhli zníženiu výkonu a poškodeniu spotrebiča.
4. Ventiláčne otvory v dolnej a bočných častiach spotrebiča nechajte voľné. Na hornú stranu spotrebiča nedávajte žiadne predmety. Pri zablokovaní ventiláčnych otvorov počas prevádzky sa môže rúra prehriať a následne poškodiť. Z ventiláčnych otvorov prúdi horúci vzduch. Dbajte na to, aby boli otvory vždy voľné, a aby sa medzi rúrou a zadnú stenu nedostali napr. záclony.
5. Mikrovlnnú rúru umiestnite čo najďalej od rádia alebo televízie. Tento spotrebič zodpovedá požiadavkám pre potlačenie rušenia príjmu *, ak ho však položíte príliš blízko rádia alebo televízie, môže sa príjem narušiť.
6. Ak rúru umiestnite do rohu, v záujme dostatočnej ventilácie zachovajte odstup od stien aspoň 10 cm.

* Tento spotrebič zodpovedá smernici 87/308/EWG, ktorá sa týka opatrení proti rušeniu príjmu.

Dôležité upozornenie!

Rúru môžete umiestniť kdekoľvek v kuchyni. Položte ju na rovnú a pevnú podložku. Ventiláčne otvory a dolná časť spotrebiča musia zostať bezpodmienečne voľné (dostatočná ventilácia).

Zapojenie do elektrickej siete

SPOTREBIČ MUSÍ BYŤ BEZPODMIENEČNE UZEMNENÝ!

Výrobca nezodpovedá za škody spôsobené nerespektovaním tohto bezpečnostného pokynu.

Spotrebič je dodávaný s pripojným káblom a štandardnou euro-zástrčkou pre zapojenie do elektrickej siete s parametrami 230 V, 50 Hz prostredníctvom uzemnenej elektrickej zásuvky.

Uzemnenie minimalizuje nebezpečenstvo skratu. Skontrolujte či nominálne napätie spotrebiča zodpovedá pripojnému napätiu na mieste inštalácie.

Ak hodláte rúru zapojiť do elektrickej siete prostredníctvom predživacieho kábla, skontrolujte, či je kábel uzemnený.

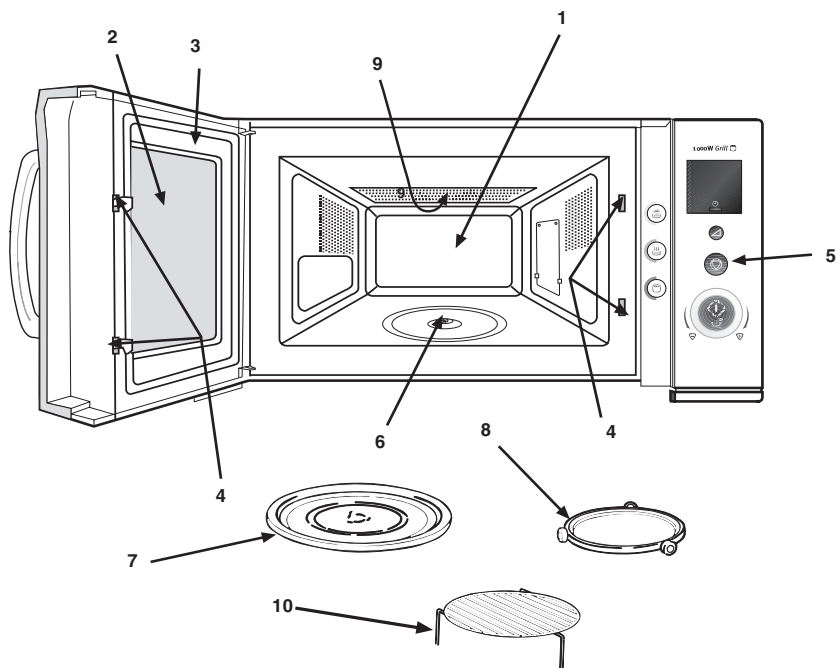
V prípade problémov alebo pochybností ohľadne zapojenia spotrebiča do elektrickej siete a uzemnenia sa obráťte na kvalifikovaného elektrikára.

Spotrebič musí byť bezpodmienečne uzemnený. Ak zástrčka spotrebiča nie je kompatibilná so zásuvkou na mieste umiestnenia, môžete zástrčku odstrihnúť a nahradiť ju novou. Z oddelenej zástrčky odstráňte poistku a zástrčku zlikvidujte, aby nedošlo k jej zapojeniu v inej zásuvke, čo by mohlo mať za následok úraz elektrickým napätím. Ak treba v dodávanej zásuvke vymeniť poistku, musíte nahradiť aj kryt poistky. Ak je kryt poistky poškodený alebo sa stratil, nesmiete zástrčku používať dovtedy, kým vám autorizovaný servisný technik nenainštaluje nový kryt poistky.

Pri výmene zástrčky spotrebiča postupujte takto:

1. Z odstrihnutej zástrčky odstráňte poistku.
2. Odstrihnutú zástrčku potom odstráňte, aby ste predišli nebezpečenstvu, ktoré hrozí pri zapojení zástrčky do niektorej zásuvky elektrickej inštalácie.

Používanie mikrovlnnej rúry



Označenie a funkcia jednotlivých častí

1. Pracovný priestor na tepelnú úpravu
Po každom použití dutinu rúry vytrite vlhkou handričkou.
2. Priehľadné okienko dverí
Ak je rúra v prevádzke, môžete cez okienko sledovať prípravu pokmu.
3. Dvierka mikrovlnnej rúry
Počas prevádzky spotrebiča musia byť dvierka rúry vždy úplne zatvorené.
4. Prichytky dveriek a bezpečnostný blokovací systém
5. Ovládací panel
6. Hriadeľ rotačného taniera
7. Rotačný tanier
Je vyrobený zo špeciálneho tepluzdorného skla. Pokrm vo vhodnej nádobe treba položiť na rotačný tanier. Rúru nepoužívajte bez rotačného taniera.
8. Podložka pod rotačný tanier
Podložku umiestnite na dno dutiny rúry pod rotačný tanier.
9. Grilovacie teleso
10. Grilovací rošt

Instalácia rotačného taniera

1. Podložku rotačného taniera položte na dno dutiny rúry.

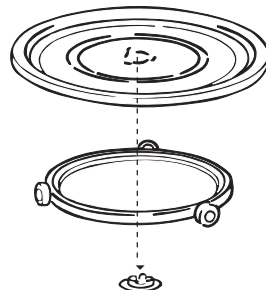
2. Na podložku umiestnite rotačný tanier podľa pokynov na obrázku. Dbajte na to, aby bol rotačný tanier pevne prichytený v hriadeľi. **Rotačný tanier nikdy nedávajte obrátene.**

- Rúru nikdy nepoužívajte bez podložky a rotačného taniera.
- Pri tepelnej úprave musí byť pokrm vo vhodnej nádobe položený na rotačnom tanieri.
- Rotačný tanier sa otáča v smere aj proti smeru hodinových ručičiek.

rotačný tanier

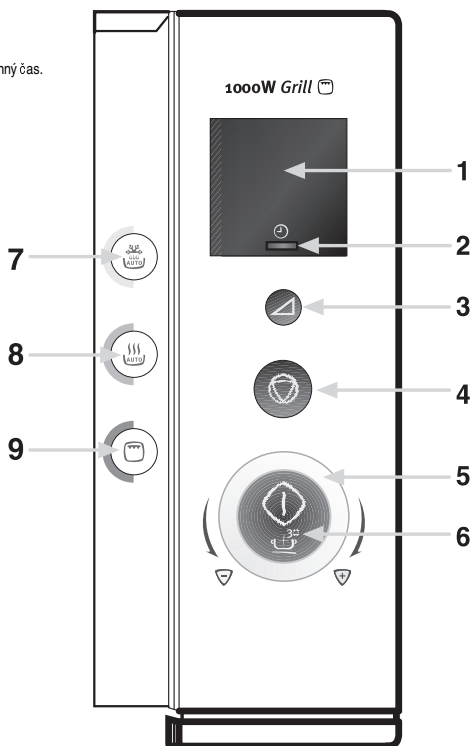
podložka

hriadeľ



Ovládací panel

1. **Displej**
Zobrazuje čas tepelnej úpravy pokrmu, výkonový stupeň a aktuálny denný čas.
2. **Tlačidlo Hodiny**
Slúži na nastavenie aktuálneho denného času.
3. **Tlačidlo Výkon**
Slúži na nastavenie požadovaného výkonu.
4. **Tlačidlo Stop / Vymazať**
Na zastavenie alebo prerušenie prevádzky spotrebiča.
5. **Otočný ovládač**
Slúži na nastavenie času tepelnej úpravy pokrmu.
6. **Tlačidlo Rýchly štart**
Na spustenie mikrovlnnej rúry.
7. **Tlačidlo Automatické rozmrazovanie**
Na nastavenie programu rozmrazovania.
8. **Tlačidlo Automatické zohrievanie**
Na nastavenie programu zohrievania.
9. **Tlačidlo Grill**
Slúži na nastavenie grilovania alebo kombinovanej prevádzky.



Nastavenie denného času

Pri prvom zapojení spotrebiča do elektrickej siete alebo po obnovení dodávky elektrickej energie bude na displeji blikať " - - - ".

Príklad: Nastavenie denného času 4.30

1. Stlačte tlačidlo Hodiny.
2. Otočným ovládačom nastavte čas "4:00".
3. Znovu stlačte tlačidlo Hodiny.
4. Otočným ovládačom nastavte čas "4:30".
5. Znovu stlačte tlačidlo Hodiny. Teraz je aktuálny denný čas nastavený.

Aktuálny denný čas si môžete zobrazit' na displeji spotrebiča aj po spustení prevádzky rúry. Stačí stlačiť tlačidlo Hodiny. Denný čas sa zobrazí na displeji na 2 sekundy.

Detská poistka

Spotrebič je vybavený bezpečnosťou detskou poistkou, ktorá zabráňuje neúmyselnému spusteniu mikrovlnnej rúry. Po aktivovaní detskej poistky nie je možné použiť žiadne ovládacie prvky dovtedy, kým detskú poistku nezrušíte.

Aktivovanie a zrušenie detskej poistky

1. Naraz stlačte tlačidlá Stop / Vymazať a Hodiny. Na displeji sa zobrazí písmeno "L".
2. Ak chcete detskú poistku zrušiť, znovu stlačte súčasne tlačidlá Stop / Vymazať a Hodiny.

Zastavenie rúry

Existujú dva spôsoby zastavenia prevádzky mikrovlnnej rúry:

1. Stlačte tlačidlo Stop / Vymazať.
 - Rúru môžete opätovne spustiť stlačením tlačidla Rýchly štart.
 - Opätovným stlačením tlačidla Stop / Vymazať prebiehajúci program zrušíte.
2. Otvorte dvierka rúry.
 - Rúru môžete opätovne spustiť zatvorením dvierok a stlačením tlačidla Rýchly štart.
 - Opätovným stlačením tlačidla Stop / Vymazať prebiehajúci program zrušíte.

Vypnutie zvukovej signalizácie

V prípade potreby môžete zvukovú signalizáciu spotrebiča vypnúť. V takomto prípade zrušíte zvukovú signalizáciu, ktorá sa ozýva pri stlačení ovládacích prvkov, ale aj signalizáciu skončenia tepelnej úpravy pokrmov.

Vypnutie a zapnutie zvukovej signalizácie

1. Naraz stlačte tlačidlá Stop / Vymazať a Rýchly štart. Na displeji sa zobrazí heslo "OFF".
2. Ak chcete zvukovú signalizáciu znovu zapnúť, znovu stlačte súčasne tlačidlá Stop / Vymazať a Rýchly štart.

Rýchly štart

Po stlačení tlačidla Rýchly štart sa mikrovlnná rúra spustí na 30 sekúnd s maximálnym výkonom (900 W). Pri každom ďalšom stlačení tlačidla Rýchly štart sa čas tepelnej úpravy pred ňou o ďalších 30 sekúnd.

Tabuľka výkonových stupňov

Výkon	Využitie
100 W	Udržiavanie teploty pokrmov.
180 W	Rozmrazovanie mrazených pokrmov
300 W	Mierny výkon dokončovanie niektorých pokrmov, hustých polievok a gulášov, pečenie pudingov a syrových koláčov
450 W	Stredný výkon rychlejšie rozmrazovanie a zohrievanie hustých polievok a gulášov, pečenie koláčov
600 W	Zohrievanie zohrievanie hotových pokrmov, pečenie mäsa a hydiny, hustých prívarkov a polievok
800 W	Max. výkon zohrievanie vody alebo tekutín, tepelná úprava zeleniny, predhrievanie a zapekanie pokrmov

Mikrovlnná tepelná úprava

1. Otvorte dverka spotrebiča, pokrm položte na rotačný tanier a zatvorte dverka.
2. Tlačidlo Výkon stlačajte dovtedy, kým nenastavíte požadovaný výkon.
3. Otočným ovládačom nastavte požadovaný čas tepelnej úpravy pokrmu.
4. Stlačte tlačidlo Rýchly štart. Rúra začne pracovať.

Ak chcete tepelnú úpravu pokrmu prerušiť, stlačte tlačidlo Stop / Vymazať.

Ak chcete tepelnú úpravu pokrmu ukončiť, musíte stlačiť tlačidlo Stop / Vymazať dva razy.

Príklad: 15-minútová tepelná úprava pokrmu pri výkone 450 W

1. Trikrát stlačte tlačidlo Výkon. Na displeji by sa mal zobrazíť výkon 450 W.
 2. Otočným ovládačom nastavte čas "15:00".
 3. Stlačte tlačidlo Rýchly štart. Mikrovlnná rúra začne pracovať.
-

Grilovanie

1. Otvorte dverka spotrebiča, pokrm položte na grilovací rošt a zatvorte dverka.
2. Raz stlačte tlačidlo Gril.
3. Otočným ovládačom nastavte požadovaný čas grilovania.
4. Stlačte tlačidlo Rýchly štart. Rúra začne pracovať.

Ak chcete grilovanie pokrmu prerušiť, stlačte tlačidlo Stop / Vymazať.

Ak chcete tepelnú úpravu pokrmu ukončiť, musíte stlačiť tlačidlo Stop / Vymazať dva razy.

Príklad: 15-minútová grilovanie pokrmu

1. Jedenkrát stlačte tlačidlo Gril.
 2. Otočným ovládačom nastavte čas "15:00".
 3. Stlačte tlačidlo Rýchly štart. Rúra začne pracovať.
-

Pred grilovaním treba rúru predhriať.

Pri predhrievaní grilu treba nastaviť rúru podľa vyššie uvedených pokynov na 3-4 minúty.

Kombinovaná tepelná úprava

Mikrovlnná rúra ponúka tri programy kombinovanej tepelnej úpravy (kombinácia mikrovlnnej tepelnej úpravy a grilovania).

- | | |
|--|---|
| <ol style="list-style-type: none"> 1. Otvorte dverka spotrebiča, pokrm položte na grilovací rošt a zatvorte dverka. 2. Tlačidlo Gril stlačajte dovtedy, kým nenastavíte vhodný program pre kombinovanú tepelnú úpravu. 3. Otočným ovládačom nastavte požadovaný čas tepelnej úpravy pokrmu. 4. Stlačte tlačidlo Rýchly štart. Rúra začne pracovať. | <p>Ak chcete tepelnú úpravu pokrmu prerušiť, stlačte tlačidlo Stop / Vymazať.</p> <p>Ak chcete tepelnú úpravu pokrmu ukončiť, musíte stlačiť tlačidlo Stop / Vymazať dva razy.</p> |
|--|---|

Príklad: 15-minútová kombinovaná tepelná úprava pokrmu s výkonom 450 W

1. Otvorte dverka rúry.
 2. Tri krát stlačte tlačidlo Gril.
 3. Otočným ovládačom nastavte čas "15:00".
 4. Zatvorte dverka. Stlačte tlačidlo Rýchly štart. Mikrovlnná rúra začne pracovať.
-

Pred kombinovanou prevádzkou rúru netreba predhrievať.

Program kombinovanej prevádzky	Tlačidlo stlačte	Výkon grílu	Mikrovlnný výkon
Kombi 1	2 krát	Maximálny	600 W
Kombi 2	3 krát	Maximálny	450 W
Kombi 3	4 krát	Maximálny	300 W

Automatické rozmrazovanie

Pri manuálnom rozmrazovaní zvolíte výkon 180 W. Ak chcete urýchliť rozmrazovanie veľkých kusov pokrmov s hmotnosťou nad 450 g, môžete najprv zvoliť na 1-3 minúty výkon 900 W (100 %), a potom nastaviť výkon 180 W a nechať pokrm kompletne rozmraziť.

- | | |
|--|---|
| <ol style="list-style-type: none"> 1. Otvorte dverka spotrebiča, pokrm položte na rotačný tanier a zatvorte dverka. 2. Tlačidlo Automatické rozmrazovanie stlačíte dovtedy, kým nenastavíte požadovaný program. 3. Otočným ovládačom nastavte hmotnosť pokrmu. 4. Zatvorte dverka. Stlačte tlačidlo Rýchly štart. Rúra začne pracovať. | <p>Poznámka: Prečítajte si nasledujúcu tabuľku.</p> <p>Ak chcete tepelnú úpravu pokrmu prerušiť, stlačte tlačidlo Stop / Vymazať.</p> <p>AK chcete tepelnú úpravu pokrmu ukončiť, musíte stlačiť tlačidlo Stop / Vymazať dva razy.</p> |
|--|---|

Počas automatického rozmrazovania si rúra automaticky zvolí požadovaný mikrovlnný výkon a čas rozmrazovania. Podľa druhu pokrmu zvolíte vhodný program rozmrazovania.

Program automatického rozmrazovania	Stlačte tlačidlo	Hmotnosť pokrmu
mäso	raz	200 - 2000 g
hydina	dva razy	200 - 2000 g
ryba	tri razy	200 - 2000 g
chlieb / koláč	štyri razy	125 - 1000 g

Příklad: Automatické rozmrazovanie 500 g ryby

1. Otvorte dverka rúry.
2. Tri razy stlačte tlačidlo Automatické rozmrazovanie.
3. Otočným ovládačom nastavte hmotnosť pokrmu "500".
4. Zatvorte dverka rúry. Stlačte tlačidlo Rýchly štart. Mikrovlnná rúra začne pracovať.

Ďalšie podrobnosti nájdete v tabuľke Automatické rozmrazovanie.

Automatické zohrievanie

Mikrovlnnú rúru môžete používať aj na automatické zohrievanie vychladených hotových pokrmov, čerstvej zeleniny, kuracích kúskov a mrazeného pečiva.

- | | |
|--|---|
| <ol style="list-style-type: none"> 1. Otvorte dverka spotrebiča, pokrm položte na rotačný tanier a zatvorte dverka. 2. Tlačidlo Automatické zohrievanie stlačíte dovtedy, kým nenastavíte požadovaný program. 3. Otočným ovládačom nastavte hmotnosť pokrmu. 4. Zatvorte dverka. Stlačte tlačidlo Rychly štart. Rúra začne pracovať. | <p>Poznámka: Prečítajte si nasledujúcu tabuľku.</p> <p>Ak chcete tepelnú úpravu pokrmu prerušiť, stlačte tlačidlo Stop / Vymazať.</p> <p>Ak chcete tepelnú úpravu pokrmu ukončiť, musíte stlačiť tlačidlo Stop / Vymazať dva razy.</p> |
|--|---|

Počas automatického zohrievania si rúra automaticky zvolí požadovaný mikrovlnný výkon a čas zohrievania. Podľa druhu pokrmu zvolte vhodný program zohrievania.

Program automatického rozmrazovania	Stlačte tlačidlo	Hmotnosť pokrmu
Vychladené hotové pokrmy	raz	300 - 350 g
		400 - 450 g
		500 - 550 g
Čerstvá zelenina	dva razy	200 - 250 g
		300 - 350 g
		400 - 450 g
		500 - 550 g
		600 - 650 g
		700 - 750 g
Kuracie kusy	tri razy	200 - 300 g (1 kus)
		400 - 500 g (2 kusy)
		600 - 700 g (3 kusy)
		800 - 900 g (4 kusy)
Mrazené pečivo	štyri razy	100 - 150 g (2 kusy)
		200 - 250 g (4 kusy)
		300 - 350 g (6 kusy)

Príklad: Automatické zohrievanie 500 g čerstvej zeleniny

1. Otvorte dverka rúry.
2. Dva razy stlačte tlačidlo Automatické zohrievanie.
3. Otočným ovládačom nastavte na displeji hmotnosť pokrmu "500-550".
4. Zatvorte dverka rúry. Stlačte tlačidlo Rychly štart. Mikrovlnná rúra začne pracovať.

Ďalšie podrobnosti nájdete v tabuľke Automatické zohrievanie.

Tabuľky

Pokyny pre používanie grilu

Pokrm položte na grilovací rošt vo vyššej polohe a za účelom zjednodušenia čistenia pod rošt umiestnite nekovovú nádobu na zachytávanie šťavy a tuku. V polovici času grilovania pokrm obráťte.

Pokrm	Množstvo	Čas grilovania	Poznámky
Toast	2 kusy	4-5 min	
Syrový toast	4 kusy	6-7 min	4-5 min toast a 2 min obloha

Pokyny pre používanie kombinovanej prevádzky

Pri pečení hovädzieho a bravčového mäsa pokrm položte na grilovací rošt v nižšej polohe a okraje a tenké časti prikryte. Za účelom zjednodušenia čistenia pod rošt umiestnite nekovovú nádobu na zachytávanie šťavy a tuku. Pokrm obracajte podľa potreby.

Pokrm	Množstvo (hmotnosť)	Prevádzkový režim	Čas tepelnej úpravy pokrmu	Poznámky
Slanina	4 (100 g)	mikrovlny 600 W + gril	7 - 9 min	
Hovädzie mäso	900 g	len mikrovlny 600 W	25 min	Potrite olejom a dochuťte soľou a korením.
Bravčové mäso	900 g	mikrovlny 600 W + gril	5 - 6 min	Po dokončení tepelnej úpravy nechajte odstáť v rúre 15 - 20 min.
Bravčový rezeň	2-3 (450 g)	mikrovlny 600 W + gril	20 - 25 min	Potrite olejom a dochuťte soľou a korením.
Kurča pozdĺžne rozpolené, kuracie stehná	450 g	len mikrovlny 600 W	15 - 20 min	Potrite olejom a dochuťte soľou a korením.
	800 g	mikrovlny 600 W + gril	25 - 30 min	
Mrazený hamburger	4 (200 g)	mikrovlny 600 W + gril	12 - 15 min	
Klobásky	najviac 450 g	mikrovlny 600 W + gril	10 - 15 min	
Rybací steak	2 (350 g)	mikrovlny 600 W + gril	22 -24 min	Potrite olejom a dochuťte soľou a korením.
Mrazené zemiaky a fašírky	2 (150 g)	mikrovlny 600 W + gril	16 - 18 min	

Manuálne rozmrazovanie

Niektoré pokrmy, ako sú napr. ovocie a chlieb, môžete účinne rozmrazovať aj manuálne pri výkonnom stupni 180 W.

Pokrm	Príprava	Čas	Odstátie
Chlieb			
Menší bochník	Položte na vhodný podstavec alebo špeciálny kuchynský papier. V polovici rozmrazovania obráťte.	8-10 min	10-15 min
Krájaný väčší bochník	Položte na vhodný podstavec alebo špeciálny kuchynský papier. V polovici rozmrazovania obráťte.	10-13 min	10 min
2 krajce	Položte na špeciálny kuchynský papier.	45-60 s	5 min
1 žemľa	Položte na špeciálny kuchynský papier.	45-60 s	5 min
2 žemle	Položte na špeciálny kuchynský papier.	1-1,5 min	5 min
Koláče a cestoviny			
Torta 450 g	Odbalte a položte na tanier.	9-11 min	15-30 min
Syrový koláč 450 g	Odbalte a položte na tanier.	9-11 min	15-30 min
Koláč 450 g	Odbalte a položte na tanier.	7-9 min	15-30 min
Múčne jedlo 450 g	Odbalte a položte na tanier.	7-9 min	15-30 min
Maslo			
250 g (1 balenie)	Odbalte a položte na tanier.	3-4 min	5-10 min
Ovocie			
Mäkké bobuľovité ovocie 225 g	Položte v jednej vrstve na plytký tanier.	5-6 min	5-10 min
Mäkké bobuľovité ovocie 450 g	Položte v jednej vrstve na plytký tanier.	7-8 min	5-10 min
Krájaný pokrm			
400 g	Prikryte tanierom alebo vhodnou fóliou (nie PVC). Ak chcete pokrm aj zohriať, zvolte 100% výkon (800 W) a nastavte čas 3-4 minúty.	7-8 min	5-10 min
Zelenina			
	Zeleninu pred tepelnou úpravou nemusíte rozmrazovať. Ak chcete zeleninu rozmraziť aj zohriať, zvolte maximálny výkon 800 W (100%).		

Tipy pre rozmrazovanie

1. V prípade pochybnosti odporúčame nastaviť radšej kratšiu dobu rozmrazovania. Pokrm sa rozmrazuje aj pri odstravení.
2. V polovici rozmrazovania pokrm obráťte.
3. Hneď ako je to možné pokrm rozporciujte a rozmrazené kúsky oddelte.
4. Pred odmrávaním odstráňte alebo otvorte obal pokrmu.
5. Pokrm vložte do väčšej nádoby, aby ste ho mohli pohodlne miešať.
6. Hýdlinu začnite rozmrazovať prsiami smerom nadol a v polovici odmrávania ju obráťte. Chúlolistivé časti obalte fóliou.

Odstátie je veľmi dôležité najmä pri rozmrazovaní veľkých pokrmov. Pred začatím tepelnej úpravy sa ubezpečte, že sú potraviny aj v strede úplne rozmrazené.

Automatické zohrievanie

Program automatického zohrievania	Stlačte tlačidlo	Čas odstátia	Odporúčania
Vychladené hotové pokrmy	jeden raz	3 minúty	Pokrm položte na porcelánový tanier a prikryte špeciálnou fóliou pre použitie v mikrovlnných rúrach. Tento program je vhodný na zohrievanie pokrmov pozostávajúcich z troch komponentov (napr. mäso s omáčkou, zelenina so zemiakmi, ryžou alebo cestovínami).
Čerstvá zelenina	dva razy	3 minúty	Po umytí, očistení a nakrájaní na drobné kúsky zeleninu odväzte. Potom ju vložte do sklenenej nádoby s vekom. Pri tepelnej úprave 200 - 450 g zeleniny pridajte 45 ml vody (3 polievkové lyžice), pri 500 - 650 g pridajte 60 ml vody (4 lyžice vody) a pri 700 - 750 g pridajte 75 ml (5 polievkových lyžíc). Po skončení tepelnej úpravy zeleninu premiešajte. Ak pripravujete väčšie množstvo pokrmu, premiešajte ho raz aj počas tepelnej úpravy.
Kuracie kusy	tri razy	3 minúty	Kuracie kusy potrite olejom a ochuťte korením, soľou a paprikou. Potom ich položte na grilovací rošt vo vysokej polohe kožou smerom nadol. Keď zaznie zvuková signalizácia, pokrm obráťte.
Mrazené pečivo	štyri razy	2 minúty	Mrazené pečivo rozložte na grilovací rošt homou stranou nadol. Keď zaznie zvuková signalizácia, pečivo obráťte.

Automatické rozmrazovanie

Pokrm	Čas odstátia	Odporúčania
Mäso	20 - 60 minút	Okraje obalte alobalom. Keď zaznie zvuková signalizácia, pokrm obráťte. Tento program je vhodný na rozmrazovanie hovädzieho, jahňacieho, bravčového masa, steakov, rezňov a fašírok.
Hydina	20 - 60 minút	Nohy a krídla obalte alobalom. Keď zaznie zvuková signalizácia, pokrm obráťte. Tento program je vhodný na rozmrazovanie celého kurčáta ako aj porciovaného kurčáta.
Ryby	20 - 50 minút	Chvost alebo aj celú rybu obalte alobalom. Keď zaznie zvuková signalizácia, pokrm obráťte. Tento program je vhodný na rozmrazovanie celej ryby alebo aj rybacieho filé.
Chlieb / koláč	5 - 30 minút	<p>Chlieb položte na špeciálny kuchynský papier a koláč na porcelánový tanier. Keď zaznie zvuková signalizácia, chlieb obráťte. Ak je to možné obráťte aj koláč. Keď otvoríte dverka rúry, rozmrazovanie sa preruší a po ich zatvorení bude zase pokračovať.</p> <p>Tento program je vhodný na rozmrazovanie všetkých druhov chleba, vcelku alebo nakrájaného, pečiva a bagety. Pri rozmrazovaní pečivo rozmiestnite do kruhu.</p> <p>Tento program je vhodný na rozmrazovanie všetkých druhov kysnutých koláčov, biskvitov, syrových koláčov a pod.. Program nie je vhodný na rozmrazovanie drobného pečiva, keksov, ovocných a šľahačkových koláčov a zákuskov s čokoládovou polevou.</p>

Rady pre mikrovlnnú prevádzku

- Rúru udržiajte vždy čistú. Dbajte na to, aby pokrm nevykypel a nezabudnite vyčistiť plochu pod sklenným rotačným tanierom a vnútornú stranu dvierok.
- Pri tepelnej úprave v mikrovlnnej rúre používajte okrúhle a oválne nádoby.
- Nepoužívajte kovový riad alebo riad s kovovou dekoráciou. Niektoré druhy plastu sa môžu vplyvom tepla z pokrmu roztopiť a zdeformovať.
- Jedlo pripravujte vždy zakryté. Použite sklennú pokrievku, tanier alebo špeciálny papier.
- Pečivo, chlieb a iné múčniky môžete rozmrazovať priamo v košíku alebo na kuchynskom papieri.
- Ak rozmrazujete jedlo v pôvodnom obale, otvorte ho. Odstráňte kovové spoje a spinky. Obaly s obsahom kovu nikdy nedávajte do mikrovlnnej rúry, iba ak to výrobca výslovne odporúča.
- Na ochranu tenkých a chĺstovitých kusov (nohy kurčaťa) použite alobal.
- Jedlá v šupke alebo potiahnuté kožou (zemiaky, klobásy) pred tepelnou prípravou prepichnete. V rúre nepripravujte vajcia, pretože môžu explodovať.
- Pri tepelnej úprave väčších kusov dbajte na to, aby boli najhrubšie kusy na okrajoch nádoby. Pokrm sa snažte rozporciovať rovnomerne. Pokrm umiestnite vždy do stredu nádoby.
- Jedlo sa pripraví rovnomerne, ak ho počas tepelnej úpravy občas premiešate.
- Pri príprave pokrmu zvolte najskôr kratšiu dobu prípravy, aby ste sa vyhli prevareniu. Čím je jedla viac, tým dlhší čas je potrebný na jeho prípravu.
- Pri príprave zeleniny používajte len minimálne alebo žiadne množstvo vody.
- Používajte menej dochucovadiel ako pri normálnej tepelnej úprave. Pokrm okoreňte až po skončení tepelnej úpravy.
- V záujme rovnomernej tepelnej úpravy nechajte jedlo v mikrovlnnej rúre vždy pár minút odstáť.
- Pred servirovaním skontrolujte, či je jedlo dostatočne teplé.
- Pri vyberaní pokrmu z rúry používajte rukavice.

Tipy pre mikrovlnnú prevádzku

- **Zjemnenie medu**
Ak chcete vrátiť skryštalizovaný med od pôvodného stavu, odniete veko nádoby, nádobu vložte do mikrovlnnej rúry, nastavte stredný výkon a rúru nechajte pracovať 2 minúty.
- **Roztopenie čokolády**
100 g čokolády rozlámte na kúsky, vložte do vhodnej nádoby, zohrievajte 1-2 minúty pri najvyššom výkone a potom dobre premiešajte.
- **Zmäkčenie alebo roztopenie masla**
Maslo sa roztopí za niekoľko sekúnd pri maximálnom výkone. Na zmäkčenie postačí nižší výkonový stupeň.
- **Zohrievanie chleba**
Na niekoľko sekúnd zvolte stredný výkonový stupeň.
- **Jednoduché šúpanie cesnaku**
3 alebo 4 strúčiky cesnaku zohrievajte 15 sekúnd pri vysokom výkone. Potom na jednom konci strúčik stlačte a cesnak sa ľahko zbaví šupy.
- **Ovocná šťava**
Citrusové plody dajú viac šťavy, ak ich najprv na 15 sekúnd zohrejete pri vysokom výkone.
- **Príprava obilnej kaše**
Kašu môžete pripraviť jednoducho v mikrovlnnej rúre priamo v servirovacom tanieri bez ulepených hrncov. Rádajte sa pokynmi výrobcu pokrmu.

Ošetrovanie a čistenie

Spotrebič udržiajte v čistote. Zvyšky jedál priťahujú energiu mikrovln a pripalujú sa. To môže mať za následok nižšiu výkonnosť spotrebiča a vznik nepríjemného zápachu.

Nikdy sa nepokúšajte spotrebič opravovať sami. Opravy spotrebiča smie vykonávať výlučne kvalifikovaný servisný technik.

Pred čistením spotrebič odpojte od elektrickej siete.

Čistenie príslušenstva

(rotačného taniera a podložky)

Po odmontovaní umyte príslušenstvo šetrným čistiacim prostriedkom. S príslušenstvom manipulujte opatrne.

Pozor: Vnútro rúry a rotačný tanier sa počas prevádzky rúry značne zohrejú, preto sa ich bezprostredne po použití nedotýkajte.

Čistenie spotrebiča zvnútra

Vnútro rúry udržiajte čisté. Zvyšky jedál a prskance okamžite utrite. Nečistoty na stenách rúry, povrchu dveriek a tesnení pohlcujú mikrovlnnú energiu, redukujú výkon rúry a v krajnom prípade môžu poškodiť jej vnútro.

Na čistenie používajte šetrný tekutý čistiaci prostriedok, teplú vodu a mäkkú, čistú handričku.

ZÁSADNE NEPOUŽÍVAJTE ABRAZÍVNE, AGRESÍVNE A KOMERČNÉ ČISTIACE PROSTRIEDKY A DRÔTENKY.

Odolných nečistôt sa zbavíte jednoduchým spôsobom: v mikrovlnnej rúre nechajte zovrieť pohár vody po dobu cca 2-3 minúty.

NA ODSTRÁNENIE NEČISTÔT Z VNÚTORNEHO POVRCHU MIKROVLNNEJ RÚRY NEPOUŽÍVAJTE NÔŽ A INÉ PREDMETY.

Neprijemný zápach po jedle odstránite týmto spôsobom: v mikrovlnnej rúre nechajte zovrieť po dobu 5 minút pohár s roztokom vlažnej vody a 2 polievkových lyžíc citrónovej šťavy.

Čistenie grilu

Grilovacie teleso sa počas prevádzky spotrebiča môže znečistiť prskajúcim tukom alebo šľavou z pokrmu. Po skončení prevádzky počkajte, kým rúra vychladne a zvyšky tuku očistíte. V dôsledku znečisteného grilovacieho telesa sa môže v rúre tvoriť pri ďalšom zohrievaní neprijemný zápach a dym.

Motor pohonnej jednotky je dostatočne utesnený. Napriek tomu dávajte pozor, aby sa pri čistení dolnej časti rúry ku hriadeľu nedostala voda.

V záujme zjednodušenia čistenia vnútra mikrovlnnej rúry môžete horné ohrevné teleso mierne sklopiť jemným potiahnutím smerom nadol. Z bezpečnostných dôvodov však dbajte na to, aby bolo ohrevné teleso dostatočne vychladnuté.

Čistenie spotrebiča zvonka

Pri čistení ovládacieho panelu spotrebiča, nechajte pootvorené dverka. Zabráňte tým neúmyselnému spusteniu spotrebiča.

Vonkajší plášť vyčistíte roztokom šetrného čistiaceho prostriedku, potom čistou vodou odstránite zvyšky čistiaceho prostriedku a následne vytrite dosucha mäkkou handričkou.

Na čistenie okna dveriek môžete použiť bežný univerzálny prostriedok s rozprašovačom. Na čistenie vonkajšej časti spotrebiča nepoužívajte abrazívne a agresívne čistiace prostriedky a drôtenky. Dbajte na to, aby sa pri čistení do ventilačných otvorov nedostala voda.

Servis a náhradné diely

Ak spotrebič nepracuje tak, ako by mal, prečítajte si nasledujúcu kapitolu a riadte sa uvedenými pokynmi.

Spotrebič vôbec nefunguje?

Skontrolujte, či

- je spotrebič zapojený do elektrickej siete;
- je zástrčka zasunutá v zásuvke;
- v prípade potreby vymeníte poistku v zástrčke za novú s rovnakými parametrami a skontrolujte, či je zástrčka správne pripojená ku káblu;
- je zapnutý spínač zásuvky alebo elektrického obvodu;
- sú v poriadku poistky domácej elektrickej inštalácie;
- neide o prerušenie dodávky elektrického prúdu;

Ak sa poistky vypália viackrát za sebou, obráťte sa na kvalifikovaného elektroinštalátora.

Mikrovlnná rúra nepracuje?

Skontrolujte, či

- sú dverka dobre zatvorené;
- na dverkách nie sú zachytené zvyšky pokrmov alebo iné predmety;
- sú tesnenia dveriek dokonale čisté;
- ste správne nastavili všetky ovládače;

Ak vám uvedené pokyny nepomôžu a porucha pretrváva aj naďalej, obráťte sa na autorizované servisné stredisko. Zoznam autorizovaných servisných stredísk je priložený.

Kompetentný servisných technik bude od vás požadovať nasledujúce údaje:

1. Meno, adresu a PSČ
2. Telefónne číslo
3. Stručný popis poruchy
4. Model a sériové číslo
5. Dátum kúpy

Tieto údaje umožnia pracovníkom servisu pripraviť správne náhradné diely. Vyhnite sa tak opakovanej návšteve servisných technikov a ušetríte.

Model a výrobné číslo nájdete na typovom štítku spotrebiča. Doporučujeme zapísať si ich do nasledujúceho zoznamu, aby ste ich mali vždy poruke:

Model: EMS2040

Výrobné číslo: _____

Dátum kúpy: . _____

Ak sa závrada vyskytla počas záručnej doby, treba si prichystať aj doklad o kúpe spotrebiča.

Služby servisného strediska počas záručnej doby nebudú bezplatné, ak sa jedná o neopodstatnenú reklamáciu alebo poruchu, spôsobenú nesprávnym použitím spotrebiča. Preto sa dôsledne riadte pokynmi v tejto príručke.

Náhradné diely

Náhradné diely majú k dispozícii výlučne autorizované servisné strediská a zákaznícke centrum. V prípade poruchy sa preto vždy obráťte na autorizované servisné stredisko. Príslušný zoznam je priložený.

Záruka

Electrolux Slovakia, divízia Domáce spotrebiče, poskytuje na výrobky 2-ročnú záruku. Viac informácií o záruke nájdete na priloženom záručnom liste.

Čestitamo vam, da ste se odločili za nakup nove mikrovalovne pečice Electrolux.

Zahvaljujemo se vam za zaupanje, ki ste nam ga izkazali, ko ste izbrali naš proizvod. Prepričani smo, da boste hitro ugotovili, kako uporabna je vaša nova mikrovalovna pečica, in da vam bo v veliko pomoč. Kot pri vseh kuhinjskih aparatih bo tudi pri uporabi mikrovalovne pečice trajalo nekaj časa, da se boste seznanili z vsemi funkcijami in možnostmi uporabe, vendar pa smo prepričani, da vam bo sčasoma vaša mikrovalovna pečica postala nepogrešljiva.

Preden prvič uporabite svojo novo mikrovalovno pečico

natančno preberite vsa navodila za uporabo. Ta navodila smo pripravili z željo, da bi vam omogočili res optimalno in varno uporabo, zato vas prosimo, da jih pazljivo preberete.

Knjižico z navodili imejte vedno pri roki, tako da boste lahko vsakič, ko boste v dvomih, poiskali ustrezno navodilo. Če boste svojo mikrovalovno pečico prodali, jo komu podarili ali jo ob selitvi pustili v starem stanovanju, poskrbite, da bo novi lastnik obenem s pečico dobil tudi navodila za uporabo in se bo lahko tako tudi sam seznanil z varno in optimalno uporabo.

Navodila za varno uporabo

- Vgrajena varnostna stikala preprečujejo delovanje mikrovalovne pečice, če so vrata odprta.
- Nikoli ne poskušajte spremeniti delovanje teh stikal, saj bi delovanje pečice pri odprtih vratih lahko povzročilo izpostavljanje oseb mikrovalovni energiji.
- Pazite, da se na tesnilu vrat ne bi nabrali ostanki hrane ali čistil; tesnilo redno čistite (glej poglavje o čiščenju in vzdrževanju mikrovalovne pečice).
- Če je mikrovalovna pečica pokvarjena, je ne smete uporabljati, ampak se takoj obrnite na pooblaščen servis.
- Izjemno pomembno je, da se vrata mikrovalovne pečice pravilno zapirajo in da niso poškodovani naslednji deli:
(1) vrata (usločena); (2) tečaji vrat in zapahi (zlomljeni ali zrahljani); (3) tesnila vrat in tesnilne površine.
- Nikoli ne poskušajte sami popraviti pokvarjeno mikrovalovno pečico. Popravila, vzdrževalna dela in spreminjanje značilnosti pečice smejo opravljati samo za to usposobljeni strokovnjaki pooblaščenega servisa. Vsi posegi s strani nestrokovnih oseb pomenijo veliko tveganje za uporabnika mikrovalovne pečice.
- Nikoli ne smete sneti ohišja, vrat ali upravljalne plošče z mikrovalovne pečice. To bi lahko povzročilo izpostavljanje izjemno visoki napetosti.
- Mikrovalovno pečico smete inštalirati in postaviti samo v skladu z navodili za inštalacijo, ki so podana v teh navodilih za uporabo.
- Mikrovalovno pečico uporabljajte samo v namene, ki so opisani v teh navodilih. V njej ne smete segrevati korozivnih kemikalij. Ta tip mikrovalovne pečice je izključno namenjen segrevanju in kuhanju ter odtaljevanju zamrznjene hrane. Ta mikrovalovna pečica ni primerna za industrijsko uporabo ali uporabo v laboratorijih, ravno tako pa tudi ni namenjena komercialni uporabi. Pri taki uporabi mikrovalovne pečice vam garancije ne moremo priznati.
- Nikoli ne vklaplajte prazne mikrovalovne pečice. Če v njej ni hrane ali vode, ki bi absorbirali mikrovalovno energijo, lahko pride do poškodbe magnetrona.
- Če mikrovalovno pečico uporabljajo otroci, jih je pri tem treba skrbno nadzirati, pred tem pa se prepričajte, da so sposobni sami uporabljati mikrovalovno pečico in da razumejo nevarnosti, ki so lahko posledica nepravilne uporabe.
- Mikrovalovna pečica ne sme stati na prostem ali v bližini vode.

- Ne poskušajte v mikrovalovni pečici sušiti oblek ali časopisov; ti predmeti bi se lahko vneli.
- Ne uporabljajte mikrovalovne pečice za shranjevanje; nikakor ne smete v njej puščati predmetov iz papirja, kuhinjskih pripomočkov ali hrane.

Navodila za varno uporabo žara

1. Če med kuhanjem z infra žarom pride voda v stik s steklom na vratih, to lahko počli.
2. Pri postavljanju ali jemanju hrane iz pečice vedno uporabljajte zaščitne kuhinjske rokavice. Posoda se v pečici zelo segreje, zato pazite, da vas ne opeče. Vrtljiva plošča in kovinska mreža se ravno tako segrejeta, zato vedno uporabljajte zaščitne rokavice.
3. Pri postavljanju ali jemanju hrane v pečico se ne dotikajte okenc s kovinskimi deli. Bodite previdni; notranjost vrat se zelo segreje.
4. Ne polagajte vrtljive plošče ali posod v hladno vodo in jih ne poskušajte na silo ohladiti.
5. Ne odlagajte raznih predmetov na mikrovalovno pečico. Zgornja stena mikrovalovne pečice se zelo segreje, zato bi se lahko ti predmeti poškodovali. Popolnoma normalno je, če izza vrat uhaja para, če se vrata zarosijo ali celo če izpod vrat med kuhanjem kaplja voda. To je posledica kondenzacije vlage zaradi segrevanja hrane in ne vpliva na varnost vaše mikrovalovne pečice. Vrata ne zapirajo notranjosti pečice hermetično.

Testiranje ustreznosti posode

- Postavite posodo v mikrovalovno pečico skupaj s kozarcem, polnim vode. Segrevajte mikrovalovno pečico eno minuto na 900 W (100%). Če se je posoda segrela, je ne uporabljajte mikrovalovni pečici. Če je le mlačna, jo lahko uporabljate za segrevanje jedi, ne pa za kuhanje. Če je posoda tudi po segrevanju sobne temperature, je primerna za kuhanje v mikrovalovni pečici.
- Papirnati prtički, povoščeni papir, papirnate brisače, krožniki, skodelice, škatle, ovojni papir in lepenka so zelo praktični pripomočki za uporabo v mikrovalovni pečici. Vedno se prepričajte, da ste jih v pečico postavili polne hrane ali tekočine, saj ta absorbira energijo in je na ta način izključena možnost pregrevanja.
- Večina plastičnih posod, skodelic, škatel za shranjevanje v zamrzovalniku in plastičnih ovojev

je primerna za uporabo v mikrovalovni pečici. Pri uporabi plastike upoštevajte navodila proizvajalca. Izogibajte se uporabi plastičnih posod za pripravo hrane, ki vsebuje veliko maščob ali sladkorja, ker dosežejo taka živila višjo temperaturo in bi se določena vrsta plastike lahko začela topiti.

- Ne puščajte vklopljene mikrovalovne pečice nenadzorovane; predvsem če segrevate ali kuhate hrano v plastični ali papirnati posodi oz. taki, ki se lahko vname, večkrat preverite delovanje pečice. Če opazite dim, pustite vrata zaprta, izklopite mikrovalovno pečico ali potegnite vtičač iz vtičnice in počakajte, da se preneha kaditi.
- Kovinska posoda in posoda s kovinsko obrobo ni primerna za uporabo v mikrovalovni pečici, razen če proizvajalec izrecno tega ne dovoljuje.
- Posoda z ozkimi grli, kot so to n.pr. steklenice, za uporabo v mikrovalovni pečici ni primerna.
- Ko želite odkriti posodo, v kateri ste kuhali, pazite, da vas vroča para ne opeče.

Varnost pri pripravljanju živil

- Nikoli ne segrevajte hrane v konzervah; pred segrevanjem jo preložite v drugo posodo.
- Mikrovalovna pečica ni primerna za cvrenje hrane v maščobi; ker temperature maščobe ni mogoče nadzirati, bi lahko prišlo do poškodb uporabnika.
- Pokovko (pop-corn) smete pripravljati v mikrovalovni pečici le, če uporabite posebno, temu namenjeno posodo oz. posebne zavojčke pokovke, pripravljene za pripravo v mikrovalovni pečici. Med pripravo pokovke nadzirajte delovanje mikrovalovne pečice.
- Živila z neporozno lupino pred kuhanjem v mikrovalovni pečici večkrat prebodite; tako boste preprečili nabiranje pare pod lupino, zaradi česar bi n.pr. krompir počil. Taka živila so n.pr. jabolka, krompir, piščančja jetra in jajčni rumenjaki.

POZOR! Če v mikrovalovni pečici segrevate tekočine, n.pr. juhe, omake in pijače, se te lahko pregrejejo čez vrelišče, ne da bi se to pokazalo z nastajanjem mehurčkov. Zato lahko pride do nenadnega kipenja vroče tekočine. Da bi to preprečili, ukrepajte na naslednji način:

1. Izogibajte se uporabi posod z ravnimi stranicami in ozkimi grlom.
2. Ne pregrevajte tekočin.

EMS2040



3. Preden vlijete tekočino v posodo, jo premešajte; ponovno jo premešajte na sredi kuhanja.
 4. Po segrevanju pustite tekočino še nekaj časa v mikrovalovni pečici in jo, še preden jo vzamete iz nje, še enkrat premešajte.
- Nekatera živila, kot n.pr. cela jajca in zaprte posode, n.pr. zaprti kozarci za vlaganje, lahko eksplodirajo in niso primerni za kuhanje ali segrevanje v mikrovalovni pečici. Občasno tudi zakrnjena jajca med kuhanjem eksplodirajo. Vedno pred kuhanjem prebodite rumenjaki in jajce pokrijte; pustite ga počivati eno minuto in šele nato dvignite pokrov.
 - Nikoli ne poskušajte na silo zavrteti nosilca za vrtljivo ploščo; lahko bi ga pokvarili.
 - Iskrenje v mikrovalovni pečici med delovanjem je običajno posledica uporabe kovinskih predmetov.

Pogosto iskrenje pa bi lahko pokvarilo mikrovalovno pečico, zato ustavite delovanje pečice in preverite, kaj ga povzroča.

- Pazite, da ne zakrijete odprtini za zračenje, ki so na vrhu, zadaj, ob strani in na dnu mikrovalovne pečice.

To mikrovalovno pečico smete uporabljati samo v gospodinjstvene namene; za uporabo v komercialne namene ni primerna!

Ta navodila shranite!

Tehnični podatki

Mere	Teža 13.5 kg
	Prostornina 20 litrov
Širina 484 mm	Priključna napetost 230 V, 50 Hz
Globina 376 mm	
Višina 275 mm	Varovalka 10 A
Notranjost pečice	Poraba energije 2300 W
Širina 323 mm	Moč 800 W
Globina 296 mm	
Višina 218 mm	Žar 1000 W

Posoda in pripomočki, primerni za uporabo v mikrovalovni pečici

Pri kuhanju v mikrovalovni pečici lahko uporabite mnogo različnih materialov.

Zaradi vaše varnosti, pa tudi zato, da ne bi poškodovali posode v vaši mikrovalovni pečici, se pri izbiri posode ravnajte po spodnji tabeli.

Material	Posoda oz. pripomočki	Mikrovalovi	Žar	Mikrovalovi in žar
Keramika in steklo	Toplotnoodporno steklo	DA*	DA	DA*
	Steklena posoda s kovinskimi obrobami ali okraski	NE	NE	NE
	Svinčeno (kristalno) steklo	NE	NE	NE
Porcelan	brez kovinskih okraskov	DA	DA	NE
Keramika**		DA	DA	DA
Plastika	Za uporabo v mikrovalovni pečici primerna, toplotnoodporna plastika	DA	NE	NE
	Plastične vrečke	DA		
Kovina	Kovinski pekači	NE	DA	NE
	Aluminijasta folija***	DA	DA	DA
Papir	Skodelice, krožniki, brisače	DA	NE	NE
Les		NE	NE	NE
Dodatna oprema	Rešetka za pripravo jedi na žaru	NE	DA	DA
	Vrtljiva plošča	DA	DA	DA
	Nosilec vrtljive plošče	DA	DA	DA

DA: za uporabo primerna posoda

NE: posoda, ki ni primerna

*Samo posoda brez kovinske obrobe

**Samo če glazura ne vsebuje kovinskih snovi

***Aluminijasto folijo uporabljajte samo v manjših količinah; večje količine bi povzročile iskrjenje.

Navodila za namestitev in priklop

Odstranjevanje embalaže

Ko odstranite embalažo, se najprej prepričajte, da je vaša nova mikrovalovna pečica nepoškodovana. V nasprotnem primeru se takoj obrnite na prodajalca. Deli pečice bodo morda zaščiteni s folijo; to morate pred prvo uporabo pečice odstraniti. Pazite, da kosi embalaže ne pridejo v roke majhnim otrokom!

Namestitev

1. Snemite nalepke z vrat.
2. Postavite pečico na ravno, gladko površino, ki prenese težo pečice (13.5 kg) in vsebine. Da preprečite morebitne vibracije in glasnost delovanja, mora biti mikrovalovna pečica stabilna.
3. Pečica naj ne bo izpostavljena vlagi in vročini, saj bi se poškodovala.
4. Odprtine na vrhu in ob straneh pečice morajo ostati proste, zato ne odlagajte ničesar na mikrovalovno pečico. Če so odprtine zakrite, lahko pride do pregrevanja in do okvare pečice. Iz odprtih uhaja vroč zrak, zato pazite, da se ne opečete. Za pečico ne obešajte zaves.
5. Pečica naj bo čim dlje od radijskih ali TV sprejemnikov, da ne bi povzročala motenj. Ta mikrovalovna pečica je izdelana skladno s predpisi EEC o odpravljanju radijskih motenj, vendar pa obstaja možnost določenih motenj, če je pečica postavljena preblizu radijskega ali televizijskega sprejemnika.
6. Če postavite pečico v kot, mora biti od desnega zida odmaknjena vsaj 10 cm!

Pozor! Mikrovalovno pečico lahko postavite kamorkoli v kuhinji. Paziti pa morate, da jo postavite na ravno, površino in da so odprtine za zračenje proste, prav tako pa mora biti omogočeno tudi kroženje zraka pod pečico.

Aparat je izdelan skladno s predpisi EEC št. 87/308 z dne 2.6.87 o preprečevanju radijskih motenj.

Priključitev na električno omrežje

⚠ Mikrovalovna pečica mora biti ozemljena! Proizvajalec ne prevzema odgovornosti za škodo ali poškodbe zaradi neupoštevanja teh navodil.

Pečica je dobavljena s priključnim električnim kablom in vtikačem za omrežje z napetostjo 230 V, 50 Hz. Ozemljitev zmanjšuje tveganje v primeru kratkega stika.

Če niste prepričani, če je vaše hišno omrežje ustrezno oziroma če je poskrbljeno za ozemljitev, se posvetujte s strokovnjakom.

Če vtikač, s katerim je pečica dobavljena, ni ustrezen za vašo vtičnico, ga je potrebno zamenjati z ustreznim. Iz vtikača, ki ste ga odrezali s priključnega električnega kabla, odstranite varovalko in ga nato zavržite, da preprečite morebitno nezgodo.

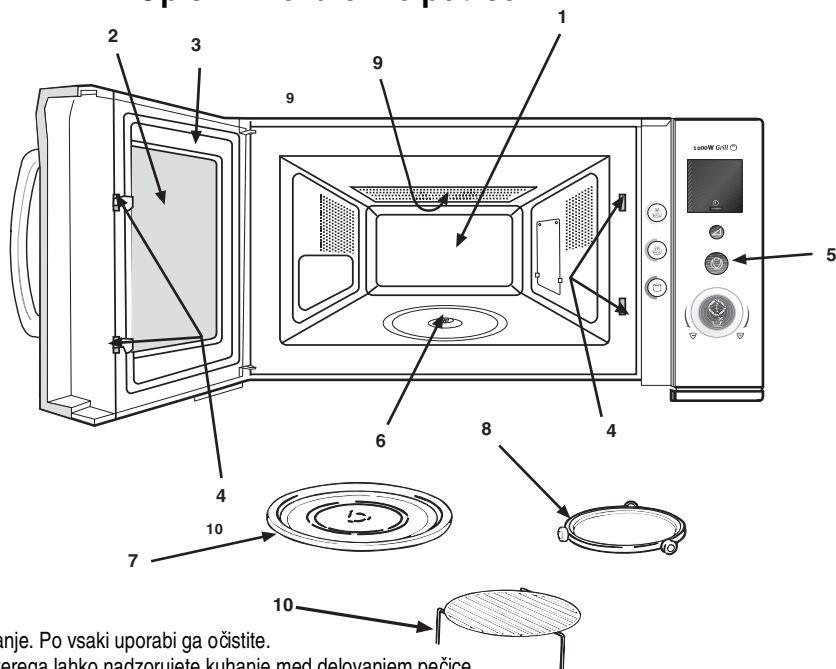
Če na vtikaču manjka pokrovček nad varovalko, takega vtikača ne smete priključiti na električno omrežje, ampak morate najprej namestiti nov pokrovček.

Če uporabljate podaljšek, mora biti ta ozemljen!

⚠ Aparat mora biti ozemljena! Proizvajalec ne prevzema odgovornosti za škodo ali poškodbe zaradi neupoštevanja teh navodil.

- Če priloženi vtikač ne ustreza vašim vtičnicam, naj ga zamenja za to usposobljena oseba.
- Iz odrezanega vtikača odstranite varovalko in ga zavržite, da preprečite morebitno nezgodo.

Opis mikrovalovne pečice



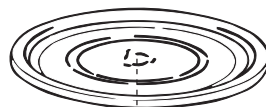
1. Prostor za kuhanje. Po vsaki uporabi ga očistite.
2. Okno, skozi katerega lahko nadzorujete kuhanje med delovanjem pečice.
3. Vrata pečice. Med kuhanjem morajo biti vedno dobro zaprta.
4. Kaveljčki zapaha in varnostni sistem zapiranja.
5. Upravljalna plošča.
6. Pogonska os vrtljive plošče
7. Vrtljiva plošča.
8. Nosilec vrtljive plošče.
9. Grelec žara.
10. Rešetka za pripravljanje jedi na žaru.

Vrtljiva plošča in nosilec

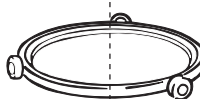
Namestite ju, kot kaže skica. Pazite, da je vrtljiva plošča pravilno postavljena na nosilec. Nikoli ne obračajte vrtljive plošče s spodnjo stranjo navzgor! Vrtljiva plošča se vrti na levo ali na desno.

Za pripravljanje jedi na žaru je priložena tudi rešetka, ki jo postavite na sredino vrtljive plošče.

Vrtljiva plošča

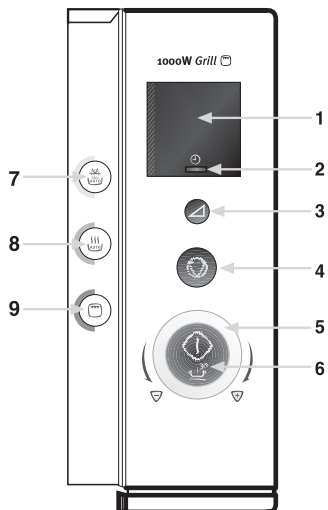


Nosilec



Os vrtljive plošče





1. Okence s prikazovalnikom - kaže čas kuhanja, nastavljeno stopnjo in točen čas
2. Ura – za nastavljanje točnega časa
3. Tipka za nastavljanje moči mikrovalov
4. Tipka Stop/Clear - za prekinitev ali preklic nastavljenega programa
5. Gumb za nastavljanje trajanja kuhanja
6. Tipka Quick Start za vklop mikrovalovne pečice
7. Tipka za funkcijo avtomatskega odtaljevanja
8. Tipka za funkcijo samodejnega segrevanja
9. Tipka za žar – za nastavljanje funkcije žara ali kombinacije žara in mikrovalov

Nastavitev ure

Ko prvič vklopite pečico in po vsakem izpadu električne energije morate znova nastaviti čas; na prikazovalniku utripajo črtice »---«.

Primer: **4.30**

1. Dotaknite se tipke za uro.
2. S pomočjo gumba za nastavljanje nastavite vrednost »4:00«.
3. Dotaknite se tipke za uro.
4. S pomočjo gumba za nastavljanje nastavite vrednost »4:30«.
5. Dotaknite se tipke za uro. Zdaj je ura nastavljena.

Opomba: Tudi med kuhanjem lahko preverite točen čas – pritisnite na tipko za uro in za 2 sekundi bo na prikazovalniku viden točen čas.

Varnostna funkcija

Vaša nova mikrovalovna pečica je opremljena z varnostno funkcijo, s katero 'zaklenete' tipke in tako preprečite slučajno spreminjanje nastavitvev, npr. če otroci med igro pritiskajo na tipke.

Vklop varnostne funkcije:

1. Istočasno se dotaknite tipke »Stop/Clear« in tipke za uro. Na prikazovalniku bo vidna črka »L«, kar pomeni, da je varnostna funkcija aktivna. Če jo želite preklicati, se znova istočasno dotaknite tipke »Stop/Clear« in tipke za uro.

Kako prekiniti delovanje pečice

Delovanje pečice lahko prekinete na dva načina:

1. Pritisnite na tipko Stop/Clear.

- S kuhanjem nadaljujete tako, da pritisnete na tipko Start.
 - S pritiskom na tipko Stop/Clear trenutno nastavljeni program preključete.
2. Odprite vrata pečice.
- S kuhanjem nadaljujete tako, da znova zaprete vrata in pritisnete na tipko Start.
 - S pritiskom na tipko Stop/Clear trenutno nastavljeni program preključete.

Izklop zvočnega signala

Vaša nova mikrovalovna pečica je opremljena z zvočnim signalom, na voljo pa je tudi funkcija, s pomočjo katere zvočni signal izklopite. V tem primeru zvočni signal ne potrdi pritiska na tipko, prav tako pa je izklopljen tudi zvočni signal ob koncu kuhanja.

Nastavitev zvočnega signala:

1. Istočasno se dotaknite tipke »Stop/Clear« in tipke Start. Na prikazovalniku bo viden napis 'OFF', kar pomeni, da je zvočni signal izklopljen.
2. Če želite spet vklopiti zvočni signal, se znova istočasno dotaknite tipke »Stop/Clear« in tipke Start.

Funkcija Quick Start

S pritiskom na tipko Start mikrovalovno pečico najhitreje vklopite – 30 sekund bo delovala pri polni moči mikrovalov (900 W). Z vsakim ponovnim pritiskom na tipko Start ta čas podaljšate za 30 sekund.

Ustrezne nastavitve moči mikrovalov

Moč mikrovalov	Primerno za:
100 W	Ohranjanje toplote
180 W	Odtaljevanje zamrznjenih živil
300 W	Počasno segrevanje, dokuhavanje enolončnic, segrevanje sirovega kolača ipd.
450 W	Srednja moč – hitrejšo odtaljevanje in segrevanje enolončnic, golaža...
600 W	Srednja moč; segrevanje gotovih jedi, pečenje določenih peciv in kuhanje pudingov, pečenje mesa, perutnine...
800 W	Največja moč; segrevanje tekočin do vrelišča, kuhanje zelenjave... Segrevanje posode za hrustljivo zapečene jedi.

Kuhanje z mikrovalovi

1. Odprite vrata in postavite jed na vrtljivo ploščo. Zaprite vrata.
2. S pomočjo tipke za nastavljanje moči mikrovalov nastavite ustrezno moč (gl. spodnjo razpredelnico).
3. Nastavite potreben čas z obračanjem gumba za nastavljanje časa.
4. Pritisnite na tipko Start. **Pečica začne delovati.**

Če želite pečico izklopiti med kuhanjem, se preprosto dotaknite tipke Stop/Clear.

Opomba: Po uporabi dvakrat pritisnite na tipko Stop/Clear, da resetirate mikrovalovno pečico.

Primer: **Kuhanje 15 minut pri moči mikrovalov 450 W**

1. Trikrat se dotaknite tipke za nastavljanje moči mikrovalov (na prikazovaliku bo vidna vrednost 450).
2. Gumb za nastavljanje časa obrnite, da bo viden čas 15:00.
3. Pritisnite na tipko START. Pečica začne delovati.

Uporaba žara

1. Odprite vrata in postavite jed na kovinsko rešetko.
2. Dvakrat pritisnite na tipko za žar.
3. Nastavite potreben čas z obračanjem gumba za nastavljanje časa.
4. Pritisnite na tipko Start. Pečica začne delovati.

Če želite pečico izklopiti med pečenjem na žaru, se preprosto dotaknite tipke Stop/Clear.

Opomba: Po uporabi dvakrat pritisnite na tipko Stop/Clear, da resetirate mikrovalovno pečico.

Primer: **Pečenje z žarom 15 minut**

1. Enkrat se dotaknite tipke za žar.
2. Gumb za nastavljanje časa obrnite na 15:00.
3. Pritisnite na tipko Start. Pečica začne delovati.

Žar pred uporabo segrevajte; vklopite ga tako, kot je to opisano zgoraj, in sicer 3-4 minute pred postavljanjem jedi v pečico.

Uporaba kombinacije mikrovalov in žara

Na voljo so vam tri nastavitve s kombinacijo mikrovalov in žara.

1. Postavite jed na kovinsko rešetko.
 2. Pritiskajte na tipko za žar, dokler ni izbrana ustrezna nastavev.
 3. Nastavite potreben čas z gumbom za nastavljanje časa.
 4. Zaprite vrata in pritisnite na tipko Start. Pečica začne delovati.
- Če želite pečico izklopiti pred pretekom nastavljenega časa, se preprosto dotaknite tipke Stop/Clear.

Opomba: Po uporabi dvakrat pritisnite na tipko Stop/Clear, da resetirate mikrovalovno pečico.

Primer: **Kuhanje 15 minut pri moči mikrovalov in 450 in z grelcem za žar**

1. Odprite vrata in postavite jed v pečico.
2. Trikrat se dotaknite tipke za žar.

3. Gumb za nastavljanje časa obrnite na 15:00.
5. Zaprite vrata in pritisnite na tipko Start. Pečica začne delovati.

Pri tej funkciji predhodno ogrevanje pečice ni potrebno.

Stopnje - mikrovalovi in žar

Nastavitev	Tipko pritisniti:	Moč žara	Moč mikrovalov
Combi 1	2-krat	Največja	600 W
Combi 2	3-krat	Največja	450 W
Combi 3	4-krat	največja	300 W

Samodejno odtaljevanje

Če želite sami nastaviti vrednosti za odtaljevanje, izberite moč mikrovalov 180 W. Da bi pospešili odtaljevanje večje količine gostih živil (nad 450 g), lahko najprej odtaljujete živilo 1-3 minute pri največji moči mikrovalov (900 W), nato pa moč zmanjšate na 180 W in ga odtalite do konca.

1. Odprite vrata in postavite zamrznjeno živilo na vrtljivo ploščo.
2. Pritisnite na tipko za samodejno odtaljevanje, dokler se ne prikaže ustrezen program.
3. Obrnite gumb za nastavljanje teže.
4. Zaprite vrata.
5. Pritisnite na tipko Start. Pečica začne delovati.

Opomba: Podrobnejša navodila so v razpredelnici v nadaljevanju.

Opomba: Po uporabi dvakrat pritisnite na tipko za prekinitev/preklic (3), da resetirate mikrovalovno pečico za naslednjo uporabo.

Opomba: Pečica bo samodejno določila najustreznejšo moč mikrovalov in trajanje odtaljevanja.

Razpredelnica za samodejne programe

Samodejni program	Pritisniti na tipko	Količina živil
Meso	enkrat	200 – 2000 g
Perutnina	dvakrat	200 – 2000 g
Ribe	trikrat	200 – 2000 g
Kruh/pecivo	štirikrat	125 – 1000 g

Primer: **Samodejno odtaljevanje 500 g rib**

1. Odprite vrata.
2. Trikrat se dotaknite tipke za samodejno odtaljevanje.
3. Gumb za nastavljanje teže obračajte na levo, dokler na prikazovalniku ni vidna vrednost 500 g.
4. Zaprite vrata. Pritisnite na tipko za vklop. Pečica začne delovati.

Opomba: Podrobnejša navodila so v razpredelnici.

Opomba: Po uporabi dvakrat pritisnite na tipko za prekinitev/preklic (3), da resetirate mikrovalovno pečico za naslednjo uporabo.

Opomba: Pečica bo samodejno določila najustreznejšo moč mikrovalov in trajanje segrevanja.

Samodejno odtaljevanje živil

Živilo	Počivanje (min)	Opombe
Meso	20-60	Robove zaščitite s folijo. Obrnite, ko pečica zapiska. Ta program je primeren za odtaljevanje govedine, jagnjetine, svinjine, zrezkov, mletega mesa.
Perutnina	20-60	Noge in krila zaščitite s folijo. Obrnite, ko pečica zapiska. Ta program je primeren za odtaljevanje celih piščancev ali kosov.
Ribe	20-50	Plavuti in rep zaščitite s folijo. Obrnite, ko pečica zapiska. Ta program je primeren za odtaljevanje celih rib ali filetov.
Kruh	5-30	Položite kruh na papirnati prtiček in ga obrnite, ko pečica zapiska. Kolač postavite na krožnik; če je mogoče, ga obrnite, ko pečica zapiska. (Ko odprete vrata, se delovanje pečice prekine.) Ta program je primeren za odtaljevanje vseh vrst kruha, štruc ali rezin, ter za žemlje, rogljičke.. Manjše kose razporedite v krogu. Program je primeren tudi za odtaljevanje kvašenega peciva, sirovega kolača... Ni primeren za odtaljevanje sadnih kolačev ali kolačev s kremnim nadevom, ali peciva s čokoladnim oblivom.

Samodejno segrevanje ohlajenih živil

Pečica nudi več programov za samodejno segrevanje ohlajenih obrokov, sveže zelenjave, kosov piščanca, zamrznjenega peciva...

1. Odprite vrata in postavite živilo na vrtljivo ploščo.
2. Pritiskajte na tipko za samodejno segrevanje, dokler ni prikazan ustrezen program.
3. Z gumbom za nastavljanje teže vnesite ustrezno težo.
4. Zaprite vrata. Pritisnite na tipko za vklop. Pečica začne delovati.

Razpredelnica za samodejne programe

Samodejni program	Pritisniti na tipko	Količina živil
Ohlajene gotove jedi	enkrat	300-350 g 400-450 g 500-550 g
Sveža zelenjava	dvakrat	200-250 g 300-350 g 400-450 g 500-550 g 600-650 g 700-750 g
Kosi perutnine	trikrat	200-300 g (1 kos) 400-500 g (2 kosa) 600-700 g (3 kosi) 800-900 g (4 kosi)
Zamrznjeno pecivo (žemlje ipd.)	štirikrat	100-150 g (2 kosa) 200-250 (4 kosi) 300-350 (6 kosov)

Primer: Samodejno kuhanje 500 g sveže zelenjave

1. Odprite vrata.
2. Dvakrat se dotaknite tipke za samodejno segrevanje.
3. Gumb za nastavljanje teže obračajte na levo, dokler na prikazovalniku ni vidna vrednost 500-550 g.
4. Zaprite vrata. Pritisnite na tipko za vklop. Pečica začne delovati.

Opomba: Podrobnejša navodila so v razpredelnici.

Opomba: Podrobnejša navodila so v razpredelnici v nadaljevanju.

Opomba: Po uporabi dvakrat pritisnite na tipko za prekinitve/preklic (3), da resetirate mikrovalovno pečico za naslednjo uporabo.

Opomba: Pečica bo samodejno določila najustreznejšo moč mikrovalov in trajanje segrevanja.

Razpredelnica za samodejne programe

Samodejni program	Pritisniti na tipko	Čas počivanja	Priporočila
Ohlajene gotove jedi	enkrat	3 minute	Postavite jed na keramični krožnik in jo pokrijte s folijo za mikrovalovne pečice. Ta program je primeren za segrevanje obrokov (npr. meso z omako, zelenjava, krompir, riž ali testenine)
Sveža zelenjava	dvakrat	3 minute	Zelenjavo očistite, operite in razrežite na enakomerne kose. Kuhajte jih v stekleni posodi s pokrovom, dodajte 3 žlice vode za 200-450 g, 4 žlice vode za 500-650 g in 5 žlic vode za 700-750 g. na koncu premešajte. Če so količine večje, premešajte tudi med kuhanjem.
Kosi perutnine	trikrat	3 minute	Kose piščanca namažite z oljem, začinite s poprom, soljo, papriko. Obrnite jih s kožo navzdol na kovinski nosilec. Ko pečica zapiska, obrnite.
Zamrznjeno pecivo (žemlje ipd.)	štirikrat	2 minuti	Zamrznjene žemlje, rogljičke... postavite v krogu na kovinski nosilec. Ko pečica zapiska, obrnite.

Praktični nasveti za uporabo žara

Živilo postavite na rešetko, pod njo pa podstavite krožnik, v katerega bodo kapljali sokovi in maščoba, da bo čiščenje lažje. Na polovici predvidenega časa živilo obrnite.

Živilo	Količina (teža)	Čas	Opombe
Opečeni kruh	2 rezini	4-5 minut	
Toast s sirom	4 rezine	6-7 minut	4-5 min. sam kruh, nato dodate sir za 2 min

Praktični nasveti za kuhanje z mikrovalovi in žarom

Pri pečenju govedine ali svinjine postavite meso na rešetko, tanjše dele zaščitite s folijo. Pod rešetko podstavite krožnik, v katerega bodo kapljali sokovi in maščoba, da bo čiščenje lažje. Na polovici predvidenega časa živilo obrnite.

Živilo	Količina (teža)	Funkcija	Čas (minute)	Opombe
Slanina	4 (100 g)	Mikrovalovi 600 W + Žar	7-9	
Govedina	900 g	Samo mikrovalovi –600 W Mikrovalovi 600 W + Žar	25	Namažite z oljem, začinite s soljo in poprom. Po kuhanju pustite počivati 15 do 20 minut.
Svinjina	900 g		5 – 6	
Svinjske zarezbnice	2-3 (450 g)	Mikrovalovi 600 W + Žar	20 - 25	Namažite z oljem, začinite s soljo, poprom in papriko.
Piščanec (polovica, stegna)	450 g	Samo mikrovalovi –600 W	15 – 20	Namažite z oljem, začinite s soljo, poprom in papriko.
	800 g	Mikrovalovi 600 W + Žar	25 – 30	
Zamrznjeni hamburgerji	4 (200 g)	Mikrovalovi 600 W + Žar	12 – 15	
Klobase	450 g	Mikrovalovi 600 W + Žar	10 – 15	
Ribji fileji	2 (350 g)	Mikrovalovi 600 W + Žar	22 – 24	Namažite z oljem, začinite s soljo in poprom.
Zamrznjen krompir	2 (150 g)	Mikrovalovi 600 W + Žar	16 – 18	

Odtaljevanje zamrznjenih živil pri 180 W

Določene vrste živil je najbolje odtaljevati ročno – izberite moč mikrovalov 180 W.

Živilo	Priprava	Čas (minute) (180 W)	Čas počivanja (minute)
Kruh			
Štručka	Položite na krožnik ali papir. Na polovici predvidenega časa obrnite.	8 – 10	10 – 15
Narezana štruca	Položite na krožnik ali papir. Na polovici predvidenega časa obrnite.	10 – 13	10
2 rezini	Položite na krožnik ali papir.	45 – 60 sekund	5
1 rogljič	Položite na krožnik ali papir.	45 – 60 sekund	5
2 rogljiča	Položite na krožnik ali papir.	1 – 1 ½	5
Pecivo			
Kolač 450 g	Odstranite embalažo, postavite na krožnik	9 – 11	15 – 30
Sirov kolač 450 g	Odstranite embalažo, postavite na krožnik	9 – 11	15 – 30
Pita (s kuhanim nadevom) 450 g	Odstranite embalažo, postavite na krožnik	7 – 9	15 – 30
Piškoti 450 g	Odstranite embalažo, postavite na krožnik	7 – 9	15 – 30
Živilo	Priprava	Čas (minute) (180 W)	Čas počivanja (minute)
Maslo 250 g	Odstranite folijo, postavite na krožnik.	3 – 4	5 – 10
Sadje			
Jagodičje 225 g	Eno plast razgrnite na plitek krožnik.	5 – 6	5 – 10
Jagodičje 450 g	Eno plast razgrnite na plitek krožnik.	7 – 8	5 – 10
Gotove jedi 400 g	Na krožniku pokrijte z drugim krožnikom ali PVC folijo. Če želite jed tudi segreti, jo 3-4 minute segrevajte pri 800 W.	7 – 8	5 – 10
Zelenjava	Odtaljevanje pred kuhanjem ni potrebno. Vso zelenjavo odtajate in skuhate pri 100-% moči (800 W).		

Praktični nasveti**Odtaljevanje**

- Če niste prepričani, koliko časa je potrebno za odtaljevanje, raje najprej nastavite krajši čas. Odtaljevanje se bo nadaljevalo tudi po preteku tega časa, med počivanjem.
- Kose zamrznjene hrane čimprej ločite med seboj.
- Velike kose na sredi odtaljevanja obrnite.
- Čimprej odstranite iz pečice že odmrznjene kose.
- Pred odtaljevanjem vzemite zamrznjeno hrano iz embalaže oziroma odprite pakete.
- Zamrznjeno hrano položite v večjo posodo kot je tista, v kateri ste jo bili zamrznili; tako jo bo lažje premešati.
- Perutnino obrnite s prsnim delom navzdol in jo med pavzo ali na sredi odtaljevanja obrnite. Občutljive dele, kot so n.pr. krilca, zaščitite s koščkom gladke folije.
- Čas počivanja je zelo pomemben, predvsem pri odtaljevanju velikih kosov in jedi, ki jih ne moremo premešati, da se prepričamo, če so se odtajali tudi v sredini.

Mikrovalovna pečica

- Pečico redno čistite. Vsakič obrišite tekočino, ki se vam je morda polila; ne pozabite očistiti tudi pod stekleno ploščo in notranjo stran vrat.
- Če je le mogoče, pri kuhanju v mikrovalovni pečici uporabljajte okrogle ali ovalne posode s pokrovom.
- Nikoli ne uporabljajte kovinskih posod ali posod s kovinskimi okraski ali obrobami. Tudi nekatere vrste plastike za uporabo v mikrovalovni pečici niso primerne, saj se lahko zaradi vroče hrane, ki se v njih segreva, stalijo.
- Med kuhanjem naj bo hrana pokrita. Uporabljajte steklene pokrove, krožnike ali povoščeni papir.
- Pecivo, kruh in podobna živila lahko postavite v mikrovalovno kar v košarici za kruh ali na papirnati brisači.
- Če zamrznjena živila tajate kar v vrečki, v kateri so bila zamrznjena, morate to prej odvezati ali odpreti. Živila, ki so bila zamrznjena v posodah, smete v isti embalaži odtaljevati v mikrovalovni pečici le, če je embalaža primerna za uporabo v mikrovalovni pečici. Odstraniti pa morate vse kovinske sponke ali žičke.
- Manjše kose aluminijaste folije uporabite, da zaščitite tanjše dele oziroma dele, ki bi se zlahka prekuhali, n.pr. piščančja krilca.

- Živila z lupino ali kožo pred kuhanjem prebodite z vilico, n.pr. krompir ali klobase. Jajc v lupini ne smete kuhati v mikrovalovni pečici, ker bi lahko eksplodirala.
- Velike, debele kose položite k robu posode; živila razrežite na kar najbolj enakomerno debele kose.
- Hrana bo bolj enakomerno kuhana, če jo boste med kuhanjem večkrat premešali.
- Vedno nastavite nekoliko krajši čas kuhanja, kot ga priporoča recept. Tako se vam hrana ne bo prekuhala. Večje količine hrane se kuhajo dlje časa!
- Zelenjavo kuhajte v zelo majhni količini vode ali brez nje.
- Uporabljajte manj soli in začimb kot pri običajnem kuhanju. Začimbe boste dodali pozneje, če bo to potrebno.
- Ko izklopite pečico, pustite hrano nekaj časa počivati; tako bodo rezultati boljši.
- Preden postrežete z jedmi se vedno prepričajte, da so se dovolj segrele.
- Uporabljajte zaščitne kuhinjske rokavice, ko jemljete hrano iz mikrovalovne pečice.

Taljenje medu

Med, ki je kristaliziral, v odprtem kozarcu postavite v mikrovalovno pečico. Segrevajte ga 2 minuti pri srednji moči mikrovalov.

Taljenje čokolade

100 g čokolade na koščke nalomite v posodo. Segrevajte jo 1 do 2 minuti pri največji moči mikrovalov in dobro premešajte.

Mehčanje ali taljenje masla

Pri največji moči mikrovalov se maslo v nekaj sekundah stali. Če ga želite samo omehčati, izberite nižjo moč mikrovalov.

Segrevanje kruha

Kruh od prejšnjega dne nekaj sekund segrevajte pri srednji moči.

Enostavno lupljenje česna

3 do 4 stroke česna 15 sekund segrevajte pri največji moči. Nato na enem koncu stisnite strok – česen bo skočil iz lupine.

Sadni sok

Iz agrumov boste iztisnili več soka, če jih najprej za 15 minut postavite v mikrovalovno pečico pri največji moči.

Pripravljanje instant hrane

Upoštevajte navodila proizvajalcev!

Čiščenje in vzdrževanje

Pečica naj bo vedno čista. Ostanke hrane, ki bi ostali v mikrovalovni pečici, bi privlačili mikrovalovno energijo in se sežgali. Tako bi se lahko učinkovitost pečice zmanjšala, pojavil bi se pa tudi neprijeten vonj.

Nikoli ne poskušajte sami spreminjati značilnosti pečice ali jo sami popravljati. To prepustite strokovnjakom s pooblaščenega servisa.

Prepričajte se, da je mikrovalovna pečica izklopljena iz električnega omrežja, preden jo začnete čistiti.

Čiščenje opreme

Dele v notranjosti poberite iz mikrovalovne pečice in jih operite z blagim čistilom. Z nosilcem vrtljive plošče ravnajte še posebno previdno.

Notranjost pečice in vrtljivi pladenj se med kuhanjem zelo segrejeta; po uporabi mikrovalovne pečice najprej počakajte, da se notranjost popolnoma ohladi.

Čiščenje notranjosti

Pečica naj bo vedno čista. Takoj po uporabi jo obrišite in očistite. Ostanke hrane na stenah, vratih in tesnilu vrat absorbirajo, mikrovalovno energijo, zmanjšujejo učinkovitost pečice in v določenih primerih poškodujejo notranjost.

Za čiščenje uporabljajte blaga tekoča čistila, toplo vodo in mehko, čisto krpo. Nikoli ne uporabljajte abrazivnih čistil, čistil za električne pečice ali blazinic jeklene volne.

Trdovratne madeže boste lažje očistili, če prej v mikrovalovni 2 do 3 minute segrevate kozarec vode.

Pri čiščenju si ne smete nikoli pomagati z ostrimi, koničastimi predmeti!

Če se v pečici razvije neprijeten vonj, segrevajte v njej 5 minut kozarec vode z dvema žlicama limoninega soka.

Čiščenje zunanosti

Ko čistite upravljalno ploščo, naj bodo vrata pečice odprta. Tako je ne boste mogli nehote vklopiti. Zunanost pečice čistite z blagim tekočim detergentom in vodo, nato pa jo do čistega obrišite s čisto vodo in do suhega obrišite z mehko krpo. Pri čiščenju lahko uporabite tudi čistila za okna ali večnamenska čistila za razprševanje. Nikoli pa ne smete uporabljati abrazivnih čistil in pripomočkov. Pri čiščenju pazite, da voda ne prodre v odprtine za zračenje, ker bi se tako pečica poškodovala.

Čiščenje grelca za žar

Grelec se med uporabo pečice lahko umaže – maščoba ali olje brizga nanj. Počakajte, da se notranjost pečice ohladi, in nato obrišite grelec, da preprečite neprijeten vonj ali nastanek dima pri naslednji uporabi pečice.

Motorček za vrtenje vrtljive plošče je zatesnjen, vendar kljub temu pazite, da med čiščenjem dna mikrovalovne pečice voda ne steče pod vreteno. Da boste lažje očistili pečico, lahko spustite grelec žara – nežno ga povlecite navzdol. Pred tem se prepričajte, da ni vroč!

Nepравilnosti v delovanju in servisiranje

Če mikrovalovna pečica ne deluje, najprej poskušajte sami odpraviti nepravilnost po spodnjih navodilih, šele nato se obrnite na pooblaščen servis.

Če mikrovalovna pečica ne deluje pravilno:

- Prepričajte se, da so vtikač, vtičnica in varovalka brezhibni; po potrebi zamenjajte varovalko.
- Prepričajte se, da je omrežje pod tokom - v vtičnico vklopite drugi električni aparat.
- Če varovalka večkrat pregori, pokličite ustrezno usposobljenega električarja.

Če mikrovalovna pečica ne deluje v načinu za mikrovalove:

- Morda je nastavljena varnostna funkcija (nekateri modeli).
- Morda niste izbrali pravih nastavitev.
- Morda niso zaprta vrata. Če vrata niso zaprta, mikrovalovna pečica ne deluje.

- Morda ostanki hrane ovirajo zapiranje vrat.

Če vam ne uspe odpraviti nepravilnosti v delovanju, se obrnite na pooblaščen servis. Zahtevajte uporabo originalnih rezervnih delov.

Rezervni deli so vam na voljo pri pooblaščenih servisih za proizvode Electrolux. Ko se obrnete na pooblaščen servis, prosimo, da navedete vaše ime in naslov, natančen opis nepravilnosti, model in serijsko številko proizvoda (navedeni na tablici s podatki) ter datum nakupa..

Pridržujemo si pravico to tehničnih sprememb brez predhodnega obvestila. Pridržujemo si pravico do tiskarskih napak.

Conținut

Inainte de a utiliza cuptorul cu microunde	4	Tabele	16
Date tehnice	4	– Recomandări pentru gătitul pe grătar	16
Siguranța utilizării-instrucțiuni	5	– Recomandări pentru gătitul cu microunde și grătar	16
– Siguranța ustensilelor	5	– Recomandări pentru decongelarea manuală	17
– Siguranță în utilizarea grătarului	5	– Tabel cu programe de reîncălzire automată	18
–instrucțiuni	5	– Tabel cu programe de decongelare automată	19
– Testarea compatibilității	6		
– Siguranța preparatelor	6	Sugestii pentru utilizarea cuptorului cu microunde	20
– Ghidul ustensilelor și accesoriilor din dotarea cuptorului	7		
– Despachetarea	7	Ingrijire și curățare	21
Cum să utilizezi cuptorul tău cu microunde	8	– Curățarea accesoriilor (platan și suport)	21
– Denumirea și funcția părților componente	8	– Curățarea interiorului	21
– instalarea platanului	8	– Curățarea grătarului	21
– Tabloul de comandă	9	– Curățarea exteriorului	21
– Fixarea ceasului	10	Condiții de garanție	22
– Dispozitiv pentru siguranța copilului	10	Service și piese de rezervă	23
– Cum oprești cuptorul	10		
– Oprirea averizorului	11		
– Pornire rapidă	11		
– Ghid de setare a puterii microundelor	11		
– Gătitul cu microunde	12		
– Gătitul pe grătar	12		
– Gătitul combinat	13		
– Decongelarea automată	14		
– Reîncălzirea automată	15		

Vă mulțumim că ați ales un produs Electrolux

Vă mulțumim că ați ales un produs Electrolux. Suntem conștienți că veți ajunge la concluzia că noul d-voastră cuptor este foarte util. Ca și în cazul altor aparate de bucătărie, este nevoie de timp să-i înveți toate funcțiile și caracteristicile dar, cu timpul, cuptorul vă va deveni indispensabil.

Înainte de a utiliza cuptorul cu microunde

Citiți cu atenție manualul de instrucțiuni. Pentru ca să obțineți un randament maxim al cuptorului cu microunde Electrolux, v-am pregătit următoarele instrucțiuni. Citiți-le cu atenție.

Este important să păstrați acest manual pentru referințe viitoare. Dacă vindeți sau transferați cuptorul unui alt proprietar, sau dacă vă mutați părăsind aparatul, asigurați-vă întotdeauna că manualul însoțește acest cuptor sau că noul proprietar se poate familiariza cu funcționarea aparatului și cu principalele pericole.

Vă rugăm să citiți întregul manual înainte de utilizare și să urmați recomandările date.

Date tehnice

Dimensiuni generale	Greutate 13,5 kg
Lățime 484 mm	Volum 20 Litri
Adâncime 376 mm	
Înălțime 275 mm	Sursa de putere 230V, 50 Hz
Dimensiunea	Siguranța 10A
Lățime 323 mm	
Adâncime 296 mm	Consum de putere 2300W
Înălțime 218 mm	
	Putere 800W
	Grătar 1000W

Siguranța utilizării-Instrucțiuni

- ▣ Comutatoarele de siguranță cuplate și încorporate împiedică funcționarea cuptorului când ușa este deschisă.
- ▣ Nu atingeți comutatoarele și nu încercați să puneți în funcțiune cuptorul cu ușa deschisă, întrucât funcționarea cuptorului cu ușa deschisă vă poate expune energiei microundelor.
- ▣ Nu lăsați ca stropii de mâncare împrăștiată și rezidurile curățătorului să se acumuleze pe suprafețele izolante ale ușii. Consultați capitolul Curățire și Îngrijire pentru instrucțiunile legate de curățire.
- ▣ Nu puneți în funcțiune cuptorul dacă este defect până când nu a fost reparat de un personal calificat.
- ▣ Este deosebit de important ca ușa cuptorului să se închidă perfect și ca (1)ușa (deformată), (2)balamalele și încuietorile (slăbite și nesigure) și (3) izolațiile ușii și suprafețele izolante să nu prezinte defecțiuni.
- ▣ Sub nici un pretext nu trebuie să încercați de unul singur repararea aparatului. Reparațiile efectuate de persoane neexperimentate pot provoca accidente sau o funcționare necorespunzătoare a cuptorului. Contactați Atelierul de Service local.
- ▣ Nu demontați niciodată carcasa externă, ușa sau tabloul de comandă întrucât vă puteți expune unui voltaj extrem de ridicat.
- ▣ Instalați sau amplasați acest cuptor doar în conformitate cu "Instrucțiunile de instalare" din acest manual.
- ▣ Utilizați aparatul doar în scopurile pentru care a fost creat așa cum sunt ele descrise în manual. Nu folosiți chimicale corozive în acest aparat. El a fost conceput pentru a încălzi, găti și decongela alimente. Nu a fost creat pentru utilizare industrială sau de laborator și nici pentru utilizare comercială; folosirea aparatului în aceste scopuri anulează garanția.
- ▣ Nu puneți în funcțiune cuptorul când este gol. Dacă nu există mâncare sau apă în cuptor care să absoarbă energia microundelor, tubul de magnetron se poate deteriora.
- ▣ Cuptorul trebuie atent supravegheat când este utilizat de copii.
- ▣ Nu depozitați afară acest aparat. Nu îl puneți în funcțiune în apropierea apei.
- ▣ Nu încercați să uscați haine sau ziere în cuptorul cu microunde. Aceste articole se pot aprinde.
- ▣ Nu utilizați cavitatea cuptorului pentru a stoca obiecte. Nu lăsați produse de papetărie, ustensile de gătit sau mâncare înăuntru când cuptorul nu este în funcțiune.

Siguranța ustensilelor

Majoritatea ustensilelor din sticlă, ceramică și sticlă rezistentă la căldură se comportă excelent în cuptorul cu microunde. Deși energia microundelor nu va încălzi majoritatea articolelor din sticlă sau ceramică, aceste ustensile pot deveni fierbinți deoarece căldura trece din mâncare în recipient. Pentru a scoate farfuriile din cuptor se recomandă utilizarea mănușilor

Instrucțiuni de siguranță în folosirea grătarului

1. Fereastra de observație din sticlă se poate sparge dacă se pulverizează apă în timpul gătitului pe grătar sau cu microunde.
2. Folosiți o mănușă când introduceți sau scoateți ceva din cuptor. Recipientele devin foarte fierbinți în cuptor, așa că aveți grijă să nu vă ardeți. Platanul și grila de metal se înfierbântă de asemenea foarte tare, mănușa devenind indispensabilă când le manipulați.
3. Nu atingeți fereastra de observație interioară și exterioră cu componente metalice când încărcăți sau descărcați cuptorul. Interiorul ușii și al cuptorului se înfierbântă foarte tare pe parcursul operației de gătit.
4. Nu puneți platanul sau recipientele în apă rece și nu încercați să le răciți repede după utilizare.
5. Nu puneți obiecte pe cuptor. Partea de sus a cuptorului se înfierbântă foarte tare în timpul utilizării, astfel că orice lucru pus pe cuptor ar putea fi deteriorat de căldură.

- & Este normal ca atunci când se gătește aburul să treacă prin crăpăturile ușii, ca o ușoară păclă să se depună pe ușă, sau chiar ca stropii mici de apă să apară sub ușă. Acest fenomen reprezintă pur și simplu o condensare provenită din căldura emanată de mâncare, care nu afectează siguranța cuptorului. Ușa nu a fost proiectată pentru a etanșa complet cavitatea cuptorului.
- ▣ Nu forțați rotirea manuală a platanului. Acest lucru poate provoca un randament necorespunzător al aparatului.
- ▣ Formarea de arcuri electrice în cuptor pe parcursul funcționării microundelor se datorează de obicei utilizării ustensilelor metalice. Totuși, apariția lui continuă poate deteriora aparatul. Opriiți programul și verificați ustensila.
- ▣ Aveți grijă să evitați opturarea orificiilor de aerisire localizate în părțile de sus, din spate, laterale și de jos ale cuptorului.

m Nu utilizați acest cuptor în scopuri comerciale. El a fost creat doar pentru utilizări domestice.

Testarea compatibilității vaselor de gătit

- ▣ Introduceți un vas de gătit în cuptor împreună cu un pahar pe jumătate umplut cu apă. Încălziți-le timp de un minut la 900 W (100%). Dacă vasul devine fierbinte, el nu trebuie utilizat. Dacă s-a încălzit puțin, îl puteți folosi la reîncălzire dar nu și la gătit. În fine, când rămâne la temperatura camerei, poate fi utilizat la gătit în cuptorul cu microunde.
- ▣ Șervețelele de hârtie, hârtia ceruită, prosoapele de hârtie, farfuriile, cămile, cartoanele, ambalajele produselor congelate și mucavaua sunt ustensile extrem de utile. Nu uitați să verificați dacă recipientele conțin mâncare pentru a absorbi energia, evitând astfel posibilitatea supra încălzirii.
- ▣ Multe farfurii de plastic, câni, recipiente de produse congelate și ambalajele de plastic pot fi utilizate în cuptorul cu microunde. Urmați instrucțiunile producătorului când utilizați materiale plastice în cuptor. Evitați folosirea ustensilelor de plastic cu alimente având un conținut ridicat de grăsimi sau zahăr deoarece aceste produse ating temperaturi ridicate și pot topi anumite materiale plastice.
- ▣ Ustensilele de metal și ustensilele cu muchii metalice nu ar trebui folosite în cuptorul cu microunde, dacă nu există recomandări speciale contrare.
- ▣ Recipientele cu aperturi mici, de exemplu sticlele, nu trebuie utilizate la gătit în cuptorul cu microunde.
- ▣ Fiți prudenți când ridicați capacul unui vas pentru a evita arsurile datorate aburului.

ATENȚIE : Nu lăsați cuptorul nesupravegheat, și uitați-vă la el din timp în timp când când gătiți sau încălziți mâncare în recipiente de plastic, hârtie sau în alte recipiente inflamabile. Dacă observați fum, țineți ușa închisă și opriți sau deconectați cuptorul până se oprește fumul.

Siguranța preparatelor

- ▣ Nu încălziți alimente în cutii de tablă. Transferați mâncarea în recipiente corespunzătoare.
- ▣ Grăsimile nu ar trebui prăjite în cuptorul cu microunde deoarece temperatura lor nu poate fi controlată și pot apare situații periculoase.
- ▣ Popcorn-ul poate fi pregătit în cuptorul cu microunde, dar numai în ambalaje speciale sau ustensile create special în acest scop. Prepararea lui trebuie supravegheată întotdeauna.
- ▣ Înțepați alimentele cu pielețe sau membrane neporoase pentru a preveni apariția aburului și producerea de explozii. Merele, cartofii, ficăței de pui și gălbenușurile de ouă sunt exemple de produse care ar trebui înțepate.

ATENȚIE: Când încălziți lichide, e.g. supe, sosuri și băuturi în cuptorul cu microunde, supraîncălzirea lichidului dincolo de punctul de fierbere poate avea loc fără evidența barbotării și poate duce la revărsarea bruscă a lichidului fierbinte. Pentru a preveni acest lucru trebuie să parcurgeți pașii următori:

1. Evitați utilizarea de recipiente cu muchii drepte și gături înguste.
 2. Nu supraîncălziți.
 3. Amestecați lichidul înainte de a introduce recipientul în cuptor și încă odată la jumătatea timpului de încălzire.
 4. După încălzire, mai lăsați puțin timp lichidul în cuptor, amestecându-l din nou înainte de a scoate cu grijă recipientul din cuptor.
- ▣ Unele produse cum ar fi ouăle întregi și recipientele etanșate –de exemplu, borcanele de sticlă închise- pot exploda și nu ar trebui încălzite în cuptor. Ocazional, ochiurile pot exploda în timp ce le preparăm. Înțepați întotdeauna gălbenușul, acoperiți tigaia și când ochiurile sunt gata lăsați să se scurgă 1 minut timp "de recuperare" înainte de a îndepărta capacul.

NOTĂ:

- ▣ Nu forțați rotirea manuală a platanului. Acest lucru poate duce la un randament necorespunzător al aparatului.
 - ▣ Formarea de arcuri electrice în timpul funcționării cuptorului se datorează de obicei utilizării de ustensile metalice.
 - ▣ Totuși, formarea continuă de arcuri poate deteriora aparatul. Opriți programul și verificați ustensila.
 - ▣ Aveți grijă și nu obstrucționați orificiile de aerisire situate în părțile de sus, din spate, laterale și de jos ale cuptorului.
- Nu utilizați acest cuptor în scopuri comerciale. El a fost creat pentru a fi utilizat doar în scopuri domestice**

Ghidul ustensilelor și accesoriilor din dotarea cuptorului

Pentru a găti în cuptorul cu microunde pot fi utilizate numeroase tipuri de ustensile și materiale. Pentru siguranța d-voastră și pentru a preveni deteriorarea ustensilelor și a cuptorului alegeți materiale și ustensilele corespunzătoare fiecărei metode de gătit. Lista de mai jos este un ghid general.

Material	Ustensile	Mod de operare		
		Microunde	Grătar	Combinație
Ceramică & sticlă	Vase Coming	DA	DA	DA
	Vase de sticlă rezistentă la căldură	DA	DA	DA
	Vase de sticlă cu decorații metalice	NU	NU	NU
	Cristal plumbuit	NU	NU	NU
Porțelan	Fără decorații metalice	DA	DA	NU
Ceramică*2		DA	DA	DA
Plastic	Recipiente rezistente la căldura din cuptor	DA	NU	NU
	Ambalaj de plastic	DA	NU	NU
Metal	Tigaie	NU	DA	NU
	Folie de aluminiu*3	DA	DA	DA
Hârtie	Cești, farfurii și servete	DA	NU	NU
	Hârtie ceruită	DA	NU	NU
Lemn		NU	NU	NU
Accesorii	Grila grătarului	NU	DA	DA
	Platan	DA	DA	DA
	Supportul platanului	DA	DA	DA

Da: Ustensile și accesorii utilizabile

Nu: Ustensile și accesorii de evitat

*1 Doar dacă nu au margini metalice.

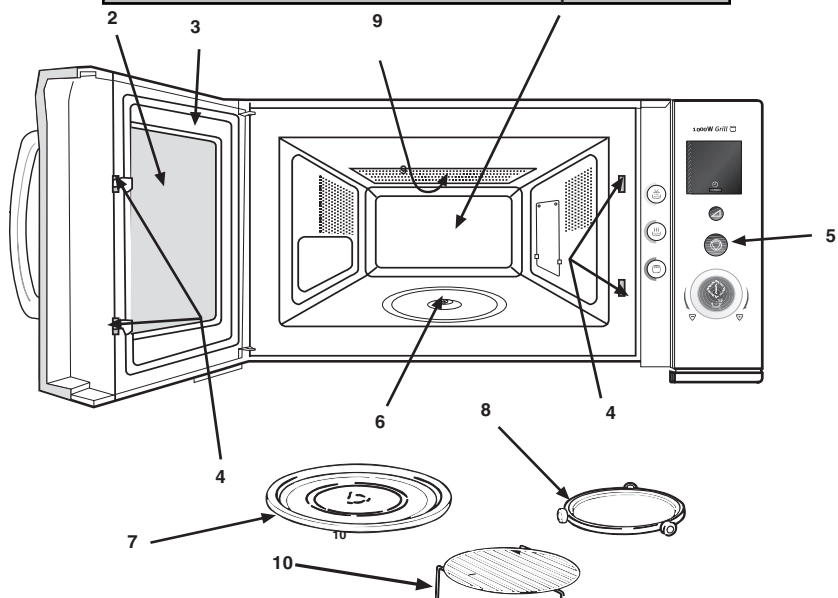
*2 Doar dacă nu au un small conținând metal.

*3 NOTA: Utilizați o folie de aluminiu doar pentru etanșare; supra-utilizarea poate duce la formarea de arcuri electrice.

Despachetarea

N.B. Când despachetați cuptorul, verificați dacă aparatul nu este deteriorat. Orice deteriorare și parte componentă lipsă trebuie raportate imediat detaiștului. Cuptorul, părțile componente sau accesoriiile pot fi ambalate într-o folie protectoare. Dacă sunt astfel protejate, folia trebuie îndepărtată înainte de a utiliza cuptorul. Nu abandonați ambalajul care ar putea deveni obiect de joacă pentru copii. Acest lucru poate fi periculos.

Cum să utilizați cuptorul vostru cu microunde



Numele și funcția părților componente

1. Compartimentul de gătit. Ștergeți compartimentul după utilizare.
2. Fereastra de observație Măncarea poate fi observată în timp ce cuptorul este în funcțiune.
3. Ușa cuptorului. Ușa trebuie să fie ferm închisă în timp ce gătiți.
4. Zăvorul de siguranță și sistemul de interblocare
5. Tabloul de comandă
6. Axul de acționare a platanului
7. Platanul.
8. Suportul platanului.
9. Grătarul.
10. Grila grătarului, folosită la gătit, rumenit și prăjit.

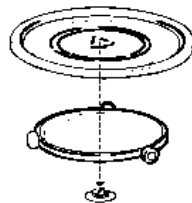
Instalarea platanului

1. Introduceți suportul platanului în cavitatea cuptorului.
2. Puneți platanul pe suport așa cum se arată în diagramă. Verificați dacă butucul platanului este bine fixat în axul acestuia. **Nu puneți niciodată platanul răsturnat în cuptor.**
 - În timpul gătitului trebuie să utilizați întotdeauna atât platanul cât și suportul platanului.
 - Când gătiți, toate alimentele și recipientele trebuie așezate pe acest platan.
 - Platanul se rotește atât în sensul acelor de ceasornic cât și invers; acest lucru este normal.

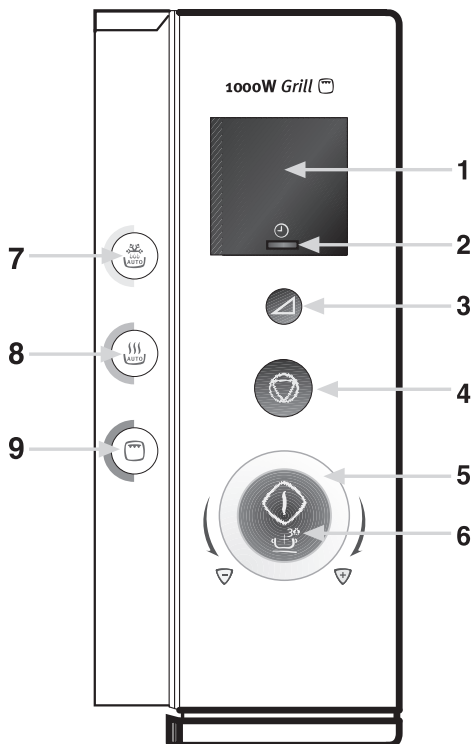
Platanul

Roller rest

Axul platanului



Tabloul de comandă

**1. Fereastra de afișaj**

Pentru a vedea Timpul de gătit, Nivelul puterii utilizate și Ora exactă.

2. Ceasul

Pentru a fixa ora exactă

3. Puterea

Pentru a fixa nivelul puterii la care vor funcționa microundele

4. Stop/Clear

Pentru a opri sau întrerupe funcționarea cuptorului

5. Setarea butonului de comandă

Folosit pentru a fixa timpii de gătit dorți.

6. Pornirea rapidă

Pentru a pune în funcțiune cuptorul cu microunde

7. Decongelarea automată

Folosită pentru a seta cuptorul în modul de decongelare dorit.

8. Reîncălzirea automată

Folosită pentru a seta cuptorul în modul de reîncălzire dorit.

9. Grătarul

Folosit pentru a seta modulile Grătar sau (combinația) Grătar/Microunde dorite.

Setarea ceasului

Când cuptorul este pus în priză pentru prima dată sau când curentul revine după o pană, fereastra de afișaj pălpăie și arată " --- "

Exemplu: Pentru a seta 4.30

1. Acționați prin atingerea butonul Clock (Ceas).
2. Setează timpul la " 4:00 " folosind butonul de comandă a setării
3. Acționați prin atingere butonul Clock
4. Setează timpul la " 4:30 " folosind butonul de comandă a setării
5. Acționați prin atingere butonul Clock (timpul va fi setat în acest moment)

NOTA : Este posibil să afișați ora exactă chiar și după ce ați declanșat setarea modului dacă apăsați butonul Clock (ora e xactă este afișată 2 secunde).

Dispozitiv pentru siguranța copilului

Acest cuptor are un dispozitiv de siguranță care împiedică punerea în funcțiune accidentală a aparatului de către copii. După ce blocarea fost setată, nici o parte componentă a cuptorului nu va funcționa până ce această măsură de prevedere-blocarea aparatului- nu va fi fost anulată.

Pentru a seta

1. Acționați prin atingere butoanele " **Stop/Clear** " și " **Clock** " în același timp. Pe afișaj va apare litera " L ".
Pentru a anula măsura de blocare a aparatului, atingeți pur și simplu butoanele " **Stop/Clear** " și " **Clock** " în același timp.

Pentru a opri cuptorul

Există două moduri de a opri cuptorul în stare de funcționare.

1. Acționați prin apăsare butonul Stop/Clear

- ▣ Puteți reporni cuptorul acționând prin apăsare butonul Start
- ▣ Reapăsarea butonului Stop/Clear va reseta programul curent.

2. Deschideți ușa

- ▣ Puteți reporni cuptorul prin închiderea ușii și acționarea prin apăsare a butonului Start
- ▣ Reapăsarea butonului Stop/Clear va anula programul curent.

Oprirea avertizorului

Acest aparat are un dispozitiv care vă permite să opriți avertizorul. Când dispozitivul este setat, opriți avertizările apăsând pe un buton; acesta va opri și avertizările care au loc la sfârșitul programului.

Pentru a seta:

1. Acționați prin atingere butoanele ' **Stop/Clear** ' și ' **Start** ' în același timp. Pe afișaj va apare ' **OFF** '(Inchis).

Pentru a anula, pur și simplu acționați prin atingere butoanele ' **Stop/Clear** ' și ' **Start** ' în același timp.

Start rapid

Acționarea prin apăsare a butonului ' **Start** ' vă permite să porniți cuptorul la puterea maximă (900W) timp de 30 de secunde. De fiecare dată când acționați prin apăsare butonul ' **Start** ', timpul de gătit va crește cu 30 de secunde.

Ghid de setare a puterii microundelor

Setare putere	Utilizare recomandată
100W	Încălzire mâncare : păstrează mâncarea caldă
180W	Dezgheață alimentele congelate.
300W	Submedie Completează ciclul de gătit al anumitor mâncăruri. Musacale și ghiveciuri
450W	Medie : Decongelare mai rapidă pentru musacale și ghiveciuri Coacere prăjituri și pudding-uri
600W	Reîncălzire : Reîncălzire musacale și ghiveciuri Reîncălzire mâncăruri gata preparate
800W	Putere maximă : Fierbere sau reîncălzire lichide Gătit legume Preîncălzirea unor mâncăruri rumenite

Gătitul cu microunde

1. Deschideți ușa, puneți mâncarea pe platan. Inchideți ușa.
2. Acționați prin apăsare butonul ' Power ' (Putere) până se atinge nivelul de putere dorit.
3. Setează timpul dorit prin acționarea butonului de comandă a setării.
4. Acționați prin apăsare butonul Start

(Cuptorul începe operațiunea de gătit.)

Pentru a închide cuptorul în timpul gătitului, pur și simplu acționați prin atingere butonul Stop/Clear.

Notă: După utilizare, nu uitați să apăsați de două ori butonul Stop/Clear; procedând astfel, resetați cuptorul cu microunde.

Exemplu: Pentru a găti la 450W timp de 15 minute

1. Apăsați de trei ori butonul Power (după ce ați apăsât, cifra ' 450 ' trebuie să apară pe afișajul ferestrei).
2. Intoarceți butonul de comandă a setării (cifra ' 15:00 ' trebuie să apară pe afișajul ferestrei).
3. Apăsați butonul Start. Cuptorul va începe operațiunea de gătit.

Gătitul pe grătar

1. Deschideți ușa, puneți mâncarea pe grătar. Inchideți ușa.
2. Apăsați odată butonul Grill (grătar).
3. Fixați timpul dorit prin întoarcerea butonului de comandă a setării.
4. Acționați prin apăsare butonul Start

(Cuptorul începe operațiunea de gătit.)

Pentru a opri cuptorul în timpul gătitului, pur și simplu acționați prin atingere butonul Stop/Clear.

Notă: După utilizare, nu uitați să apăsați de două ori butonul Stop/Clear; procedând astfel, resetați cuptorul cu microunde.

Exemplu: Pentru a găti pe grătar timp de 15 minute

1. Acționați prin atingere butonul Grill X 1
2. Intoarceți butonul de comandă a setării. (cifra ' 15:00 ' trebuie să apară pe afișajul ferestrei).
3. Acționați prin apăsare butonul Start. Cuptorul va intra în funcțiune.

Grătarul trebuie preîncălzit înainte de utilizare.

Pentru a preîncălzi grătarul trebuie să-l setați în maniera descrisă mai sus pentru 3-4 minute.

Gătit combinat (microunde-grătar)

Acest cuptor vă oferă posibilitatea de a alege între 3 setări pentru a găti (combinat) cu grătarul și microundele.

1. Deschideți ușa, puneți mâncarea pe grătar.
2. Apăsăți butonul Grill până se ajunge la combinația Microunde –Grătar dorită.
3. Fixați timpul dorit prin întoarcerea butonului de comandă a setării.
4. Inchideți ușa apoi acționați prin apăsare butonul Start (Cuptorul începe operațiunea de gătit.)

Pentru a opri cuptorul în timpul gătitului, pur și simplu acționați prin atingere butonul Stop/Clear.

Notă: După utilizare, nu uitați să apăsați de două ori pe butonul Stop/Clear; procedând astfel, resetați cuptorul cu microunde.

Exemplu: Pentru a găti combinat cu grătarul și cu o putere a microundelor de 450W timp de 15 minute:

1. Deschideți ușa
2. Acționați prin atingere butonul Grill X 3
3. Intoarceți butonul de comandă a setării. (cifra ' 15:00 ' trebuie să apară pe afișajul ferestrel).
4. Inchideți ușa, apoi acționați butonul Start. Cuptorul va intra în funcțiune.

Nu trebuie să preîncălziți grătarul în timpul gătitului combinat grătar- microunde.

Combi nație setare	Apăsare buton	Putere grătar	Putere microunde
Combi 1	de 2 ori	maximă	600W
combi 2	de 3 ori	maximă	450W
Combi 3	de 4 ori	maximă	300W

Decongelare automată

Pentru decongelarea manuală, utilizați o putere a microundelor de 180W . Pentru a accelera decongelarea alimentelor compacte de peste 450g (1lb), cuptorul poate fi pornit și acționat timp de 1-3 minute la o putere de 900W (100%), apoi puterea poate fi redusă la (180W) până decongelarea devine completă.

1. Deschideți ușa, puneți mâncarea pe platan.
2. Apăsati butonul ' Auto Defrost '(decongelare automată) până se ajunge la programul dorit.
3. Intoarceți butonul de comandă a setării până se ajunge la cantitatea dorită.
4. Inchideți ușa.

5. Acționați prin apăsare butonul (Cuptorul începe operațiunea de decongelare.)

NOTĂ : Pentru detalii vezi tabelul de mai jos.

Pentru a opri cuptorul în timpul operațiunii de gătit, pur și simplu acționați prin atingere butonul Stop/Clear.

NOTĂ : După utilizare, nu uitați să apăsați de două ori pe butonul Stop/Clear; procedând astfel, resetați cuptorul cu microunde.

NOTĂ : În timpul decongelării automate cuptorul va alege automat puterea microundelor și timpul de gătit.

Tabel de selectare pentru funcțiile gătitului automat:-

Program automat	Apăsare butonul	Mărime porție
Carne	O dată	200 - 2000g
Carne de pui	De 2 ori	200 - 2000g
Pește	De 3 ori	200 - 2000g
Pâine / Prăjituri	De 4 ori	125 - 1000g

Exemplu: Pentru a decongela automat 500g de pește:

1. deschideți ușa.
 2. Apăsati de trei ori pe butonul Auto defrost (decongelare automată)
 3. Intoarceți butonul de comandă a setării până ce pe afișajul ferestrei apare cifra 500 .
 4. Inchideți ușa apoi apăsați pe butonul Start. Cuptorul va începe decongelarea.
-

Vezi tabelul cu programele de decongelare pentru detalii suplimentare.

Reîncălzire automată

Acest cuptor poate fi utilizat pentru a reîncălzi automat mâncăruri reci gata preparate, legume proaspete, carne de pui și chifle înghețate.

1. Deschideți ușa și puneți mâncarea pe platan.

2. Acționați prin apăsare butonul ' Auto Reheat (reîncălzire automată) până ajungeți la programul dorit.

3. Intoarceți butonul de comandă până se ajunge la cantitatea dorită.

4. Inchideți ușa.

5. Acționați prin apăsare butonul Start (Cuptorul intră în funcțiune)

NOTĂ : Pentru detalii vezi tabelul de mai jos

Pentru a opri cuptorul în timpul operațiunii de gătit, pur și simplu acționați prin atingere butonul Stop/Clear.

NOTĂ : După utilizare, nu uitați să apăsați de două ori butonul Stop/Clear; procedând astfel, resetați cuptorul de microunde.

NOTĂ : În timpul programului AUTO COOK (Gătit automat) cuptorul va selecționa automat puterea microundelor și timpul de gătit.

Tabel de selectare pentru funcțiile gătitului automat :-

Program automat	Apăsare butonul	Mărime porție
Mâncăruri reci gata preparate	Odată	300 - 350 g
		400-450g
		500 - 550 g
Legume proaspete	De 2 ori	200 - 250 g
		300 - 350 g
		400-450g
		500-550g
		600 - 650 g
Bucăți/Carne de pui	De trei ori	700 - 750 g
		200 - 300 g (1 Bucată)
		400 - 500 g (2 Bucăți)
		600 - 700 g (3 Bucăți)
Chifle congelate	De 4 ori	800 - 900 g(4 buc)
		100 - 150 g (2 Bucăți)
		200-250 g(4 bucăți)
		300 - 350 g (6 Bucăți)

Exemplu: Pentru a găti automat 500g de legume proaspete:

1. Deschideți ușa.

2. Acționați prin atingere butonul Auto Reheat (reîncălzire automată) de 2 ori

3. Intoarceți butonul de comandă a setării până când 500 - 550 apare pe afișajul ferestrei.

4. Inchideți ușa apoi apăsați butonul Start. Cuptorul va începe să gătească.

Vezi Tabelul cu Programe de Gătit automat pentru detalii suplimentare.

Recomandări pentru utilizarea grătarului

Toate mâncărurile trebuie puse pe grila de sus cu o farfurie nemetalică sub această grilă pentru a recupera pierderile prin scurgere sau eventualele sucuri și a facilita astfel operațiunile de curățire. Întoarceți toate preparatele pe partea cealaltă la jumătatea timpului de gătit.

Aliment	Cantitate(Greutate)	Timp de gătit	Note speciale
Pâine prăjită	2 felii	4 – 5 min	
Brânză pe pâine prăjită	4 felii	6 – 7 min	2 min. împreună cu garnitura

Recomandări generale pentru a găti cu Micround și Grătar

Folosiți grila de jos poziționată pe platan pentru a prăji carnea de porc și vită. Puneți o farfurie nemetalică pe platan sub grila de jos pentru a recupera pierderile prin scurgere sau eventualele sucuri. Întoarceți carnea când considerați necesar.

Aliment	Cantitate (Greutate)	Selector putere	Timp de gătit	Note speciale
Șuncă	4 (100 g)	Microunde (600W) +grătar	7-9 min	
friptură de vită (cu os)	900g	doar microunde (600w)	25 min.	Ungeți cu ulei. Asezonați cu sareși piper. După gătit, lăsați fripturii un "timp de staționare" de 15-20 min.
friptură de porc (file) 900g	900g	microunde 600W	5-6min	
Grătar de porc	2-3 (450g)	microunde600w +grătar	20-25 min	Ungeți cu ulei. Asezonați cu sare, piper și paprica
Pui,	450g	doar microunde 600w	15-20 min	Ungeți cu ulei. Asezonați cu sare și piper
Pulpe de pui	800g	microunde600w +grătar	25-30 min	
Hamburgeri Congelați	4(200g)	microunde600W +grătar	12-15 min	
Cârnați	450g.	microunde600w +grătar	10-15min	
Pește la Grătar	2(350g)	microunde600W +grătar	22-24 min.	Ungeți cu ulei. Asezonați cu sare și piper
Cartofi Congelați	2(150g)	microunde600W +grătar	16-18min.	

Recomandări pentru decongelarea automată

Unele produse, cum ar fi pâinea și fructele, pot fi decongelate manual folosind această setare (180W).

Aliment	Preparare	Temp de decongelare	Temp de staționare
Pâine			
Franzelă mică	Puneți franzela pe grila rezistentă la microunde sau pe un șervet de bucătărie. Intoarceți-o la jumătatea timpului de decongelare.	8–10 min	10–15 min
Franzelă mare feliată	Puneți franzela pe grila rezistentă la microunde sau pe un șervet de bucătărie. Intoarceți-o la jumătatea timpului de decongelare.	10–13 min	10 min
2 felii	Puneți-le pe un șervet de hârtie	45–60 sec	5 min
1 chiflă	Puneți-o pe un șervet de hârtie	45–60 sec.	5 min.
2 chifle	Puneți-le pe un șervet de hârtie	1–1/2 min.	5 min.
Prăjituri și produse de patiserie			
Prăjitură 450g	Scoateți prăjitura din ambalaj și puneți-o pe o farfurie	9–11 min.	15–30 min.
Prăjitură cu 450g brânză	Scoateți prăjitura din ambalaj și puneți-o pe o farfurie	9–11 min.	15–30 min.
Plăcintă 450g dulce(gătută)	Scoateți plăcinta din ambalaj și puneți-o pe o farfurie	7– 9 min.	15–30 min.
Plăcintă 450g	Scoateți plăcinta din ambalaj și puneți-o pe o farfurie.	7– 9 min.	15–30 min.
Unt			
250g (1 pachet)	Dacă este ambalat, îndepărtați folia și puneți-l pe o farfurie	3– 4 min.	5–10 min.
Fructe			
225g Fructe boabe moi	Puneți fructele într-un singur strat pe o farfurie plată.	5– 6 min.	5–10 min.
450g/ Fructe boabe moi	Puneți fructele într-un singur strat pe o farfurie plată.	7– 8 min.	5–10 min.
Mâncare acoperită			
400g	Acoperiți mâncarea cu o farfurie sau o peliculă aderentă non P.V.C. Pentru a o reîncălzi, folosiți microundele la capacitate max.(800W) timp de 3–4 minute.	7– 8 min	5–10 min.
Vegetale			
	Nu este necesar să decongelați legumele înainte de a le găti. Toate vegetalele pot fi dezghețate și găsite cu microundele la 800W		

Sfaturi pentru decongelare

1. Este mai bine să subestimați timpul de decongelare dacă sunteți în dubiu. Mâncarea va continua să se dezghețe pe parcursul 'timpului de staționare'.
 2. Separați mâncarea cât mai repede posibil.
 3. Intoarceți bucățile mari, de exemplu hălcile de carne, la jumătatea timpului de decongelare.
 4. Îndepărtați orice aliment dezghețat cât mai repede posibil.
 5. Îndepărtați sau deschideți orice ambalaj înainte de decongelare.
 6. Puneți mâncarea într-un recipient mai mare decât în cel în care a fost congelată; acest lucru va facilita manevrarea ei.
 7. Când dezghețați un pui, puneți-l cu pieptul în jos și intoarceți-l la jumătatea timpului afectat decongelării.
- Porțiunile delicate cum ar fi vârfurile aripilor porci protejate cu bucăți mici de folie netedă. Timpul de staționare este foarte important, mai ales în cazul bucăților mari, dense de carne care nu pot amestecate, pentru a fi siguri că și centrul lor este complet decongelat înainte de a fi gătite.

Tabel cu programe de încălzire automată
--

Program Automat	Apăsare buton	Timp de staționare	Recomandări
Mâncare gătită păstrată la rece	o dată	3 min.	Puneți mâncarea pe o farfurie de ceramică și acoperiți-o cu o peliculă aderentă. Acest program este potrivit pentru felurile din 3 componente (e.g. carne și sos, legume și garnituri suplimentare: cartofi, orez, paste)
Legume Proaspete	de 2 ori	3 min.	Cântăriți legumele după spălare, curățându-le și tăindu-le în părți egale. Puneți-le într-un castron de sticlă cu capac. Adăugați 45 ml. (3 linguri) de apă când gătiți 200-450g., 60 ml. (4 linguri) pentru 500-600g. și 75g. (5 linguri) pentru 700-750g. Amestecați după gătit. (Când gătiți cantități mai mari amestecați odată și în timpul gătitului)
Carne de pui (bucăți)	de 3 ori	3 min.	Ungeți bucățile de pui cu ulei și condimentați-le cu piper, sare și paprika. Puneți carnea pe grila de sus cu partea acoperită de piele în jos. Când cuptorul emite un sunet de avertizare, întoarceți carnea.
Chifle Înghețate	de 4 ori	2 min.	Puneți chiflele cu fața în jos pe grila de metal. Întoarceți-le de îndată ce cuptorul emite un sunet de avertizare.

Tabel cu program de decongelare automată

Categorie	Temp de Staționare	Recomandări
Carne	20-60 min.	Protejați marginile cu folie de aluminiu. Intoarceți carnea când cuptorul emite un sunet de avertizare. Acest program este potrivit pentru carnea de vită, miel, porc, steak-uri și carne tocată.
Carne de pui	20-60 min.	Protejați vârfurile picioarelor și aripilor cu folie de aluminiu. Intoarceți carnea de îndată ce cuptorul emite un sunet de avertizare. Acest program este atât pentru pui întregi cât și pentru bucăți de pui.
Pește	20-50 min.	Protejați coada peștelui în folie de aluminiu. Intoarceți peștele de îndată ce cuptorul emite un sunet de avertizare. Programul este potrivit atât pentru pești întregi cât și pentru fileuri.
Pâine/Prăjituri	5-30 min.	Puneți pâinea pe un șervet de hârtie și întoarceți-o de îndată ce cuptorul emite un sunet de avertizare. Puneți prăjitura pe o farfurie de ceramică și, dacă este posibil, întoarceți-o de îndată ce cuptorul emite un sunet de avertizare. (Cuptorul continuă să funcționeze și se oprește când deschideți ușa) programul este potrivit pentru toate tipurile de pâine, feliate sau întregi, baghete și chifle. De asemenea, este potrivit pentru toate tipurile de prăjituri făcute cu praf de copt, biscuiți, produse de patiserie în foietaje. Nu este potrivit pentru produsele de patiserie crocante, prăjituri cu fructe și crême sau cu garnituri de ciocolată.

Sugestii pentru utilizarea microundelor

- ▣ Păstrați întotdeauna cuptorul curat - evitați scurgerile și nu uitați să curățați sub tava de sticlă și interiorul ușii.
- ▣ De preferință utilizați caserole rotunde sau ovale cu capac când gătiți în cuptorul cu microunde.
- ▣ Nu utilizați caserole de metal sau cu decorații metalice. Anumite materiale plastice pot fi topite și deformată de mâncarea fierbinte.
- ▣ Acoperiți mâncarea când gătiți. Utilizați un capac de sticlă, o farfurie sau un carton rezistent la grăsime.
- ▣ Produsele de patiserie, pâinea și alte produse înrudite pot fi decongelate într-un coș de pâine sau pe un prosop de hârtie.
- ▣ Dacă mâncarea congelată este încălzită în ambalajul propriu, ambalajul trebuie deschis. Ambalajul care conține metal sau decorații metalice nu trebuie utilizat (în lipsa unor recomandări contrare) în cuptorul cu microunde. Îndepărtați clemele de metal și legăturile de sârmă.
- ▣ Bucăți din folie de aluminiu mai mici pot fi utilizate pentru a acoperi părțile care se ard ușor (picioarele de pui etc.)
- ▣ Alimentele cu coajă sau pieleți trebuie înțepate cu o furculiță – e.g. cartofi sau cărnați. Nu fierbeți ouă în cuptorul cu microunde întrucât acestea pot exploda.
- ▣ Puneți bucățile mari, groase la marginea caserolei și încercați să tăiați carnea în părți egale. Întotdeauna puneți mâncarea în centrul cuptorului.
- ▣ Mâncarea va fi gătită egal peste tot dacă o amestecați sau o întoarceți de câteva ori.
- ▣ Fixați întotdeauna un timp de gătit mai scurt decât cel indicat în rețeta d-voastră pentru a nu arde mâncarea. Cu cât cantitatea este mai mare cu atât aveți nevoie de mai mult timp pentru a găti felul de mâncare dorit.
- ▣ Folosiți apă puțină sau chiar de loc pentru vegetale.
- ▣ Folosiți sare și condimente mai puțin decât pentru un "gătit" normal.
- ▣ Asezonați ulterior.
- ▣ Acordați mâncării câteva minute "timp de staționare" după ce ați oprit cuptorul pentru a asigura un gătit complet și egal.
- ▣ Asigurați-vă că mâncarea este în întregime extrem de fierbinte înainte de a fi servită.
- ▣ Folosiți mănuși sau alte ustensile de protecție când scoateți recipientele și mâncarea din cuptor.

Sfaturi pentru utilizarea microundelor

▣ Cum topim mierea

Dacă aveți un borcan de miere care s-a cristalizat, scoateți capacul și puneți borcanul în cuptor la putere medie timp de 2 minute.

▣ Cum topim ciocolata

Rupeți un baton de ciocolată în mai multe bucăți pătrate; puneți aceste bucăți într-un recipient și încălziți-le la putere mare timp de 1-2 minute. Amestecați bine.

▣ Cum înmuim sau topim untul

Topirea durează câteva secunde la putere mare. Pentru înmuiere este bine să folosim o putere mică.

▣ Cum împrosopăm sau încălzim pâinea

Folosiți o putere medie câteva secunde.

▣ Cum decojim ușor usturoiul

Încălziți 3 sau 4 căței de usturoi la putere mare timp de 15 secunde apoi strângeți cățelul la un capăt până iese din înveliș.

▣ Suc de fructe

Fructele citrice dau mai mult suc dacă sunt încălzite la putere mare timp de 15 secunde înainte de a fi stoarse.

▣ Cum gătim porridge

Porridge-ul se gătește ușor chiar în farfuria în care va fi servit fără să mai fiți nevoiți să spălați alte recipiente. Pur și simplu urmați recomandările legate de preparare înscrise pe ambalajul produsului.

Ingrijire și curățire

Cuptorul trebuie să fie întotdeauna curat. Resturile de mâncare scurse sau căzute atrag energia microundelor arzându-le. Acest lucru poate reduce eficiența cuptorului și genera mirosuri neplăcute. Nu încercați să faceți ajustări sau să reparați de unul singur cuptorul. Reparațiile trebuie făcute doar de tehnician calificat.

Verificați dacă cuptorul este deconectat de la sursa de electricitate înainte de a-l curăța.

Curățirea accesoriilor(platan și suport)

Curățați aceste accesorii cu un detergent ușor după ce le-ați scos din cavitatea cuptorului. Suportul trebuie manevrat cu deosebită grijă.

ATENȚIE: Interiorul cuptorului și platanul devin foarte fierbinți, așa că nu le atingeți imediat după utilizare.

Curățirea interiorului

Păstrați întotdeauna curat interiorul cuptorului. Ștergeți imediat stropii de mâncare vărsați. Depunerile lăsate pe pereții cuptorului, și suprafața ușii absorb energia microundelor, reduc eficiența cuptorului și ar putea chiar deteriora interiorul aparatului. Folosiți un detergent ușor, lichid, apă caldă și o cârpă moale, curată pentru a îndepărta depunerile.

NU FOLOȘIȚI NICIODATĂ CURĂȚITOARE ABRAZIVE DE ORICE FEL CÂND CURĂȚIȚI ORICE PARTE A CUPTORULUI CU MICROUND.

Pentru a facilita îndepărtarea depunerilor extrem de aderente, fierbeți o ceașcă de apă în cuptor timp de 2-3 minute.

NU FOLOȘIȚI NICIODATĂ CUȚITE SAU ALTE USTENSILE PENTRU A ÎNDEPĂRTA DEPUNERILE DE PE SUPRAFEȚELE CUPTORULUI.

Pentru a îndepărta mirosurile neplăcute din interiorul cuptorului, fierbeți timp de 5 minute o ceașcă de apă la care adăugați 2 linguri cu suc de lămâie.

Curățirea grătarului

Grătarul se poate păta cu stropi de grăsime sau de ulei în timpul gătitului. Așteptați ca interiorul cuptorului să se răcească pentru a curăța urmele de grăsime. Aceste pete pot produce mirosuri neplăcute și fum. Motorul platanului este etanșat. Cu toate acestea aveți grijă ca apa să nu pătrundă sub așul platanului când curățați partea de jos a cuptorului.

Pentru a facilita curățirea interiorului, puteți coborî încet elementul de încălzire de sus trăgând grătarul în jos. Operația nu trebuie efectuată când grătarul este fierbinte!

Curățirea exteriorului

Deschideți ușa cuptorului când curățați tabloul de comandă. Acest lucru împiedică funcționarea accidentală a cuptorului.

Suprafețele exterioare trebuie curățate cu un detergent ușor, lichid și apă și clătite cu apă curată pentru a îndepărta detergentul rămas. Uscați suprafețele spălate ștergându-le cu o cârpă moale.

Puteți folosi și spray-uri de curățire a ferestrelor sau spray-uri de bucătărie. Nu folosiți niciodată materiale abrazive sau chimicale dure pentru a curăți suprafețele exterioare ale aparatului. Nu lăsați apa să pătrundă în orificiile de aerisire.

Condiții de garanție

Electrolux oferă următoarele garanții primului cumpărător al acestui aparat:

1. Garanția este valabilă timp de 24 de luni începând cu data în care aparatul a fost înmănat primului cumpărător detailist, dată care trebuie verificată prin factura de cumpărare sau prin alte documente similare. Garanția nu acoperă utilizarea comercială.
2. Garanția acoperă toate părțile sau componentele cu randament necorespunzător din cauza manoperei sau materialelor de slabă calitate. Garanția nu acoperă aparatele ale căror defecte se datorează utilizării greșite, deteriorărilor accidentale, instalării greșite, modificărilor sau reparațiilor neautorizate, utilizării comerciale, neglijenței sau necunoașterii cerințelor sau recomandărilor menționate în manualul de instrucțiuni. Garanția nu acoperă părți componente cum ar fi becurile, părțile din plastic sau cele detașabile din sticlă..
3. Dacă sunt necesare reparații care intră sub incidența garanției, cumpărătorul trebuie să informeze cel mai apropiat Atelier de service ELECTROLUX sau agent autorizat. ELECTROLUX își rezervă dreptul de a stipula locul unde se va efectua reparația (i.e. locuința clientului, locul de instalare sau atelierul ELECTROLUX).
4. Garanția sau înlocuirea gratuită include atât manopera cât și materialele.
5. Reparațiile efectuate în garanție nu extind perioada de garanție a aparatului. Părțile schimbate în perioada de garanție devin proprietatea ELECTROLUX.
6. Drepturile statutare ale cumpărătorului nu sunt afectate de această garanție.

Garanția Europeană

Dacă vă mutați într-o altă țară din Europa, garanția se extinde și ea în noua țară sub rezerva următoarelor condiții:

- ▣Garanția începe din data în care ați cumpărat prima dată produsul.
- ▣Garanția este valabilă aceeași perioadă de timp și acoperă aceleași părți componente și manoperă ca cea existentă în noua țară pentru aceeași marcă sau gamă de produse.
- ▣Această garanție se referă doar la d-voastră și nu poate fi transferată altui utilizator.
- ▣Noua d-voastră casă este în Comunitatea Europeană sau în Zona Europeană a Liberului Schimb.
- ▣Aparatul este instalat și folosit în conformitate cu instrucțiunile noastre și este utilizat doar în gospodăria proprie.
- ▣Aparatul este instalat ținând cont de reglementările existente în noua d-voastră țară.

Înainte de a vă muta vă rugăm să contactați Biroul de Relații cu Clienții cel mai apropiat, (vezi lista de mai jos) pentru a oferi detalii despre noua adresă. În felul acesta Biroul va putea anunța Service-urile locale care vor avea grijă de aparatul d-voastră.

Franța	Senlis	+33 (0) 3 44 62 20 13
Germania	Nürnberg	+49 (0) 800 234 7378
Italia	Pordenone	+39 (0) 800117511
Suedia	Stockholm	+46 (0) 20 78 77 50
MB	Slough	+44 (0) 1753 219898

Service și piese de rezervă

Dacă aparatul nu funcționează corect, vă rugăm să efectuați următoarele verificări înainte de a contacta Atelierul de Service local.

Dacă cuptorul nu pornește:

- Verificați dacă aparatul este conectat corect.
- Verificați cuptorul este introdus în priză corect.
- Inlocuiți siguranța din fișa de contact, dacă este cazul, cu alta având aceeași caracteristici și verificați dacă fișa a fost bobinată corect.
- Verificați dacă întrerupătorul și/sau întrerupătorul de alimentare de rețea pentru cuptor sunt în poziția ON (deschis).
- Verificați dacă priza primește curent băgând în priză un aparat care știți că funcționează.
- Verificați dacă siguranța din cutia de siguranțe este intactă.

Dacă cuptorul cu microunde nu funcționează:

- Dispozitivul de siguranță pentru copii!!!!!!! Ar putea să fie în funcțiune..
- Verificați dacă comenzile sunt setate corect..
- Verificați setările/procedurile comparându-le cu instrucțiunile din manual.
- Verificați dacă ușa se închide corect (în cazul în care particulele mâncare sau alte obiecte s-au lipit în interiorul ușii, acestea nu se va închide corect și aparatul nu va funcționa).
- Verificați dacă the butonul de start a fost apăsat..

IMPORTANT:

Dacă chemați un inginer pentru una din neregulile de mai sus sau pentru a repara o defecțiune cauzată de utilizarea sau instalarea incorectă, reparația va trebui plătită chiar dacă aparatul este în garanție.

Service și piese de rezervă

În cazul în care aparatul necesită o reparație sau dacă doriți să cumpărați piese de rezervă, the event of your appliance requiring service, vă rugăm să contactați Centrul de Service Electrolux local telefonând la:

0870 5 929929

Teleful va fi direcționat automat Centrul de Service care acoperă regiunea d-voastră. Pentru adresa Centrului de Service local și pentru alte informații legate de aceste Centre, vă rugăm să vizitați website-ul la adresa www.serviceforce.co.uk Înainte de a chema un tehnician , vă rugăm să verificați dacă ați făcut verificările de mai sus..

Când contactați Centrul de Service va trebui să dați următoarele detalii în ceea ce vă privește:

1. Nume, adresăși cod poștal
2. Număr de telefon
3. Detalii clare și concise despre defecțiune
4. Modelul și numărul de serie al aparatului (aflat pe plăcuța cu caracteristici tehnice).
5. Data de cumpărare

Clienții care au aparate în garanție trebuie să fie siguri că s-au efectuat verificările necesare întrucât tehnicianul va solicita contravaloarea serviciului dacă problema pentru care a fost chemat nu este una mecanică sau electrică.

Vă rugăm să notați că dovada cumpărării este necesară pentru toate solicitările în termen de garanție.

Relații Clienți

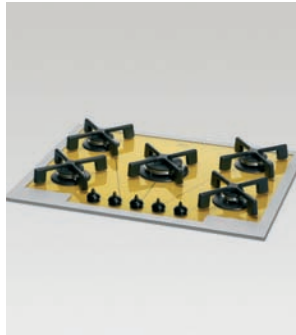
Pentru informații generale referitoare la aparatul d-voastră sau pentru alte informații despre produsele Electrolux, vă rugăm să contactați Departamentul Relații Clienți în scris sau la telefon la adresa de mai jos ori să vizitați website-ul nostru la [adresa www.Electrolux.co.uk](http://adresawww.Electrolux.co.uk)


Customer Care Department
Electrolux
55-77 High Street
Slough
Berkshire
SL1 1DZ
0 8705 727727 (*)

*solicitările la acest număr ar putea fi înregistrate în scopuri de instruire.

 **Electrolux**







www.electrolux.com

www.electrolux.hr

www.electrolux.cz

www.electrolux.hu

www.electrolux.pl

www.electrolux.ro

www.electrolux.ru

www.electrolux.sk

www.electrolux.si